



BRITISH MOTOR HERITAGE



Product Catalogue

MARCH 2026

Title	Page	Title	Page
Approved Specialists	4	Spitfire and GT6 Panels	78
UK Specialists Listing	4	Stag Panels	80
International Specialists Listing	7	Miscellaneous Parts	81
Bodyshells	8	Anti Roll Bars	81
Mini Bodyshells	10	Badges, Decals And Centre Caps	81
MGB Roadster Bodyshells	10	Battery Bars	81
MGB GT Bodyshells	11	Body Fittings	82
MG Midget Bodyshells	11	Body Panels	83
E-Coat Primer	12	Brake Parts	83
E-Type Bonnets	14	Choke Cables	83
Mini Body Parts	16	Clutch, Gearbox, Transmission	84
Mini Underframe	18	Consoles, Switches, and Gauges	84
Mini Skin Panels	24	Cross Members	84
Mini Clubman Specific Panels	30	Cooling Parts	85
Mini Valances (Not Clubman)	32	Fuel Tanks	85
Mini Traveller Van Pick Up Specific Panels	34	MGF Miscellaneous	86
Mini Cabriolet Parts (while stocks last)	35	Subframes and Suspension Arms	86
MGB & MGB GT Body Parts	37	Sun Visors	87
MGB Centre Body	38	Suspension Hubs	87
MGB Front Body	40	Various	88
MGB GT Unique Panels	44	Steelcraft Body Parts	91
MGB Rear Body	48	MGB Outer Panels	92
MGB Skin Panels	52	MGB Inner Panels	96
Original Drawings	56	MG Midget/Sprite Inner Panels	100
MG Midget Body Parts	57	MG Midget/Sprite Outer Panels	102
MG Midget Front Centre Body	58	Triumph Spitfire Inner Panels	104
MG Midget Rear Body	64	Triumph Spitfire Outer Panels	106
MG Midget Skin Panels	66	Leaf Springs	110
Morris Minor Body Parts	70	Tex Automotive	111
Morris Minor Panels	71	Coventry Hood & Tonneau	112
Triumph Body Parts	72	Concours Carpets	113
TR Front Inner Panels	72	Classical Dash	114
TR Centre and Rear Inner Panels	74	BMH Engineering Services	115
TR Skin Panels	76		



Manufacturers of Original Parts for the British Classic Car Industry

Since 2001, when the company was acquired from BMW, British Motor Heritage Limited has been successfully run as an independently owned company.

It is the largest organisation of its type in the world. With access to unparalleled knowledge, authentic production information and original drawings and patterns, the company manufactures previously unobtainable body parts for British classic cars. This catalogue details the

complete product range from British Motor Heritage together with Part numbers and Applications. Go to our website www.bmh-ltd.com or email us sales@bmh-ltd.com for more information.



Heritage Original Equipment

This label identifies genuine original British Motor Heritage parts and assemblies; look for it to ensure that you are using the highest quality original components.

British Motor Heritage products are manufactured using the original tooling and to the same exacting standards and engineering integrity as the parts used on the original production lines.



Heritage Original Equipment parts and panel assemblies are available from your Heritage Approved Specialist.

Tex Automotive, Coventry Hood & Tonneau, Concours Carpets and Classical Dash, are all British Motor Heritage group companies.





British Motor Heritage Approved Specialists

British Motor Heritage Approved Specialists are the acknowledged experts and leading suppliers of Classic MG, Mini, Morris and Triumph parts. To qualify, they are required to satisfy a number of important criteria clearly demonstrated over a period of at least three years trading. The criteria include their product knowledge,

their range of stock, their customer service and a sound commercial history. The Approved Specialists share our passion and are committed to keeping the cars on the road by supplying quality parts and service. They are unrivalled as the best source of quality restoration and service parts.

UK Approved Specialists



Abingdon MG Parts Ltd
991 Wolverhampton Road
Oldbury
West Midlands
B69 4RJ
Telephone: 0121 544 4444
Email: info@davidmanners.co.uk
Web: www.abingdonmgparts.co.uk
Marques & Models:
MG and MG Midget, Mini, Triumph and Morris



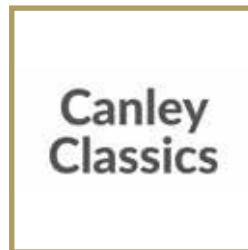
A H Spares Ltd
Units 7/8,
Westfield Road,
Kineton Road Industrial Estate,
Southam, Warwickshire, CV47 0JH
Telephone: 01926 817181
Email: sales@ahspares.co.uk
Web: www.ahspares.co.uk
Marques & Models:
Austin Healey, Austin Healey Sprite and MG Midget



Brown & Gammons Ltd
18 High Street
Baldock
Hertfordshire
SG7 6AS
Telephone: 01462 490049
Email: sales@ukmgparts.com
Web: www.ukmgparts.com
Marques & Models:
All MG Models



Bull Motif Spares Ltd
Units 5-6 Isbourne Way
Winchcombe
Gloucestershire
GL54 5NS
Telephone: 01242 609598
Email: info@bullmotif.com
Web: www.bullmotif.com
Marques & Models:
All Mini Models and Morris



Canley Classics
Green End Road
Fillongley
Warwickshire
CV7 8DT
Telephone: 01676 541360
Email: canleyclassics@gmail.com
Web: www.canleyclassics.com
Marques & Models:
Triumph Herald and Triumph GT6



Clive Wheatley
High Grosvenor Workshops,
Worfield,
Bridgnorth,
Shropshire WV15 5PG
Telephone: 01746 710810
Email: sales@mgv8parts.com
Web: www.mgv8parts.com
Marques & Models:
MG BGT V8, MG RV8 Parts and Conversions



East Sussex Minors
Old Factory Buildings,
Battenhurst Road
Stonegate
Sussex
TN5 7DU
Telephone: 01580 200203
Email: esm@morrisminorsparts.co.uk
Web: www.morrisminorsparts.co.uk
Marques & Models:
Morris Minor 1948-1971, Austin A30, Austin A35



Frontline Costello
9 Station Yard
Steventon
OX13 6RX
Telephone: 01235 832632
Email: info@frontlinedevelopments.com
Web: www.frontlinedevelopments.com
Marques & Models:
MG and MG Midget



James Paddock Limited
James Paddock Limited
6 Chantry Court
Sovereign Way
Chester
CH1 4QN
Telephone: 01244 399899
Email: parts@jamespaddock.co.uk
Web: www.jamespaddock.co.uk
Marques & Models:
All Triumph Models



Motaclan
Units 14-15 Erdington Industrial Park
Chester Road
Birmingham
B24 0RD
Telephone: 0121 356 3003
Email: info@motaclan.com
Web: www.motaclan.com
Marques & Models:
Austin Healey, Classic Mini, Jaguar, Land Rover, MG, Morris Minor, Rover, Triumph, TVR, London Taxi

UK Approved Specialists



MG Motorsport
Wayside
Hempstead Road
Bovingdon
Hertfordshire
HP3 0HE
Telephone: 01442 832019
Email: mail@mgmotorsport.co.uk
Web: www.mgmotorsport.co.uk
Marques & Models:
All MG models



MGOC (Spares) Ltd
Octagon House
Over Road, Swavesey
Cambridge
CB24 4QZ
Telephone: 01954 230928
Email: sales@mgocspares.co.uk
Web: www.mgocspares.co.uk
Marques & Models:
MG, MGB, MG, MGC, MGB GT V8, Midget, MGF/TF, MG TD/TF



Midland Sports & Classics Ltd
Unit 19 Wilden Industrial Estate
Stourport
Worcestershire
DY13 9JY
Telephone: 01299 829000
Email: sales@msc.parts
Web: www.msc.parts
Marques & Models:
MG and MG Midget



Minimine Ltd
121-127 Uttoxeter Road, Longton
Stoke-on-Trent
Staffordshire ST3 1PF
Telephone: 01782 595999
Email: sales@minimine.co.uk
Web: www.minimine.co.uk
eBay Store: www.ebay.co.uk/str/minimineltd
Marques & Models:
All Classic Mini marques, models, and derivatives, 1959 – 2001



Mini Spares Centre Ltd
Unit 12&13, Cranbourne Industrial Estate
Potters Bar Hertfordshire EN6 3JN
Telephone: 01707 607700
Email: sales@minispares.com
Web: www.minispares.com
Marques & Models:
Mini



Mini Spares North
Units 2E & 2G, Harwood Road Northminster
Business Park, York
YO26 6QU
Telephone: 01423 881800
Email: north@minispares.com
Marques & Models:
Mini



Mini Sport LTD
Thompson Street
Padiham
Lancashire
BB12 7AP
Telephone: 01282 778731
Email: sales@minisport.com
Web: www.minisport.com
Marques & Models:
All Mini Marques & Models (1959 – 2000)



Moss Europe Ltd
Moss London*
Unit 16 Hampton
Business Park, Bolney Way
Feltham, Greater London TW13 6DB
Telephone: +44 (0)20 8867 2020
Email: sales@moss-europe.co.uk
Web: www.moss-europe.co.uk
Marques & Models:
MG, Triumph, Austin Healey, Classic Mini and Morris Minor



Moss Europe Ltd
Moss Bristol*
Unit 14, Avonside Industrial Park
Avonside Road, Bristol BS2 0UQ
Telephone: +44 (0)117 923 2523
Email: bristol@moss-europe.co.uk
Web: www.moss-europe.co.uk
Marques & Models:
MG, Triumph, Austin Healey, Classic Mini and Morris Minor



Newton Commercial
Eastlands Industrial Estate
Leiston
Suffolk,
IP16 4LL
Telephone: 01728 832880
Email: sales@newtoncomm.co.uk
Web: www.newtoncomm.co.uk
Marques & Models:
Classic Mini, Morris Minor, Triumph Spitfire, GT6, Herald & Vitesse, MGF



Owens Fabrication
Llanelli, Wales
Telephone: 07973 163451
Email: info@owensfabrication.co.uk
Web: www.owensfabrication.co.uk
Marques & Models:
Mini



P&L Minis
Deucoch
Abersoch
Pwllheli
LL53 7LD
Telephone: +44 (0)1709 889922
Email: info@plminis.com
Web: www.plminishop.com
Marques & Models:
Mini



Playmini Ltd
Units 13 & 14
Faygate Business Centre
Faygate
West Sussex
RH124DN
Telephone: 01293 851944
Email: playmini-ltd@outlook.com
Web: www.playmini.uk
Marques & Models:
Mini



Rimmer Bros Ltd*
Triumph House, Sleaford Road, Bracebridge
Heath, Lincoln LN4 2NA
Telephone: +44 (0)1522 568000
Email: sales@rimmerbros.com
Web: www.rimmerbros.com
From USA Tel: 1-855-746-2767 Toll Free (During UK Office Hours)
Marques & Models:
Triumph, MG, Rover, Mini, Range Rover, Jaguar '96 on and Land Rover



UK Approved Specialists



Somerford Mini Ltd
9 Harris Road
Porte Marsh Industrial Estate
Calne, Wiltshire
SN11 9PT
Telephone: 01249 721421
Email: enquiries@somerfordmini.co.uk
Web: www.somerfordmini.co.uk
Marques & Models:
Mini



The Real Mini Company
Unit D, Tower Road, Berinsfield,
Wallingford, Oxfordshire
OX10 7LN
Telephone: 0845 6090 117
Mobile: 07850 984 920
Email: sales@therealminicompany.com
Web: www.therealminicompany.com
Marques & Models:
Mini



The Riley RM Centre Ltd
Unit 6 Cumberlow Green Farm
Rushden Road
Rushden
SG9 0QD
Telephone: 01763 281336
Email: spares.sec@rileyrmclub.org.uk
Web: www.therileyrmcentre.co.uk
Marques & Models:
All Riley Models



TR GB LTD
Unit 1 Sycamore Ind Est
Long Drove, Somersham
Huntingdon, Cambs
PE28 3HJ
Telephone: 01487 842168
Email: sales@trgb.co.uk
Web: www.trgb.co.uk
Marques & Models:
Triumph



TR Shop
16 Chiswick High Road,
London W4 1TH
Telephone: 0208 995 6621
Email: info@trshop.co.uk
Web: www.trshop.co.uk
Marques and models:
Triumph



Steve McKie Sportscars
Albert Street
North Whittington Moor
Chesterfield
S41 8NP
Telephone: 01246 454527
Email: stevemckiesportscars@yahoo.co.uk
Web: www.stevemckiesportscars.co.uk
Marques & Models:
All MG models



The MGB Hive
Marshalls Bank,
Parson Drove, Wisbech
Cambridge
PE13 4JE
Telephone: 01945 700500
Email: sales@mgbhive.co.uk
Web: www.mgbhive.co.uk
Marques & Models:
All MG models and Triump



Tim Kelly MG Specialist
Unit 8, Great Western Railway Yard
St Agnes
Cornwall
TR5 0PD
Telephone: 01872 553040
Email: tpkelly123@btconnect.com
Web: www.timkellymgcentre.co.uk
Marques & Models:
All MG models



TR Enterprises
Dale Lane,
Blidworth,
Notts,
NG21 0TG
Telephone: 01623 793807
Email: info@trenterprises.com
Web: www.trenterprises.com,
www.triumphspecialtuning.com
Marques and models:
Triumph



Z Cars
Unit 1, Sandy Lane Farm
Sandy Lane, Ashford Kent
TN26 1JN
Telephone: 01462 490049
Email: sales@ukmgparts.com
Web: www.ukmgparts.com
Marques & Models:
Mini

International Approved Specialists



Anglo Parts Belgium
Zandvoortstraat
53 B-2800
Mechelen
Telephone: +3215342555
Email: sales.belgium@angloparts.com
Web: www.angloparts.com
Marques & Models:
MG, Mini and Triumph



Bastuck & Co GmbH
In Bommerfeld 11
66822 Lebach
Germany
Telephone: 0049 6881 9249101
Email: service@bastuck.de
Web: www.bastuck.com
Marques & Models:
MG, Austin Healey, Triumph



British Parts North West (USA)
4105 SE Lafayette Highway
Dayton
OR 97114
USA
Telephone: 503-864-2001
Email: info@bpnorthwest.com
Web: www.bpnorthwest.com
Marques & Models:
MG, Austin Healey, Triumph, Jaguar, Mini



Datch Distribution
99 Boulevard Henri Barbusse
78800 Houilles
Telephone France: 08 92 231 621
Telephone International: 00 33 1 73 43 54 85
Email: contact@datch.fr
Web: www.datch.fr
Marques & Models:
All Mini Marques & Models



Mini Centre - Ben van Leeuwen
Korteraarseweg 93 Ter Aar
Telephone: 31172573478
Email: info@benvanleeuwen.com
Web: www.benvanleeuwen.com
Marques & Models:
All Mini Marques & Models



Moss Europe Ltd
Moss Paris
7 rue Chaponval
Zac du Cornouiller
78870 Bailly, France
Telephone: +33 (0)1 30 80 20 30
Email: sales@moss-europe.fr
Web: www.moss-europe.co.uk
Marques & Models:
MG, Triumph, Austin Healey, Classic Mini and Morris Minor



Sanwa Trading & Co
Main Building
2-8-4 Shinkiba
Koto-ku
Tokyo 136-0082
Telephone: 03-3521-5881
Email: Details to follow
Web: www.sanwa-trd.co.jp/
Marques & Models:
Classic Mini's



Anglo Parts Italy
Via Alessandro Volta 2, I-31020 Villorba (TV)
Telephone: +390422321500
Email: treviso@angloparts.com
Web: www.angloparts.com
Marques & Models:
MG, Mini and Triumph



Betaset France
300 Route d'Anet,
78550 Houdan, France
Telephone: 33 (0)1 30 59 69 46
Email: valentin@betaset.fr
Web: www.betaset.fr
Marques & Models:
Triumph TR2 to TR6 Triumph Spitfire & GT6
Vitesse, Herald, MGA, MGB & MGC / MG
T-C/D/F / MG Midget Austin Healey 100/4 to
3000 - Sprite Classic Mini Jaguar XK & E-Type



British Racing Green (Franco Italy)
Via 1° Maggio n.60,
Rovato (BS),
25038,
Italy
Telephone: +39 (0)30 7700291
Email: franco@brgsparis.it
Marques & Models:
MG, Austin Healey, Triumph



Garage Messmer
Fahrgasse 24
4629 Fülenbach
Schweiz
Telephone: 062 926 31 06
Email: shop@garagemessmer.ch
Web: www.garage-messmer.ch
Marques & Models:
Triumph, MG, MINI



Mini Mania Germany
Klemm Classic Parts GmbH
Wolfrigelstr. 7A
DE-87600 Kaufbeuren
Telephone: +49 (0)8341 965 83 58
Email: info@minimania.net
Web: www.minimania.net
Marques & Models:
Mini



Moss Motors Ltd Eastern Showroom
25651 Simpson Road, Petersburg, VA 23803
Telephone: 1-800-431-2496
Email: moss.sales@mossmotors.com
Web: www.mossmotors.com
Marques & Models:
MG, TC, TD, TF, MGA, MGB, MGC, Midget,
Triumph, TR2, TR3, TR3A, TR3B, TR4, TR4A,
TR5, TR6, TR250, Spitfire, Austin Healey,
100-4, 100-6, 3000, Sprite



The Roadster Factory
328 Killen Road
Armagh
PA 15920 USA
Telephone: 1-800-234-1104
Telephone: +1-814-446-4444
Email: trfmail@trfmail.com
Web: www.the-roadster-factory.com
Marques & Models:
Triumph TR2, TR3, TR4, TR4A, TR250, TR6,
TR7, TR8, Spitfire, GT6, MGB, and MGB-GT



Look for the Approved Specialist Certificate

BMH manufactures and distributes parts to Approved Specialists. A wide range of original parts are available to the classic car owner through these independent businesses, which represent a select grouping of the best companies in the Classic Car market.



British Motor Heritage is the world's largest manufacturer of bodysHELLS and panelwork for British classic cars and the Heritage brand is synonymous the world over with quality and originality.

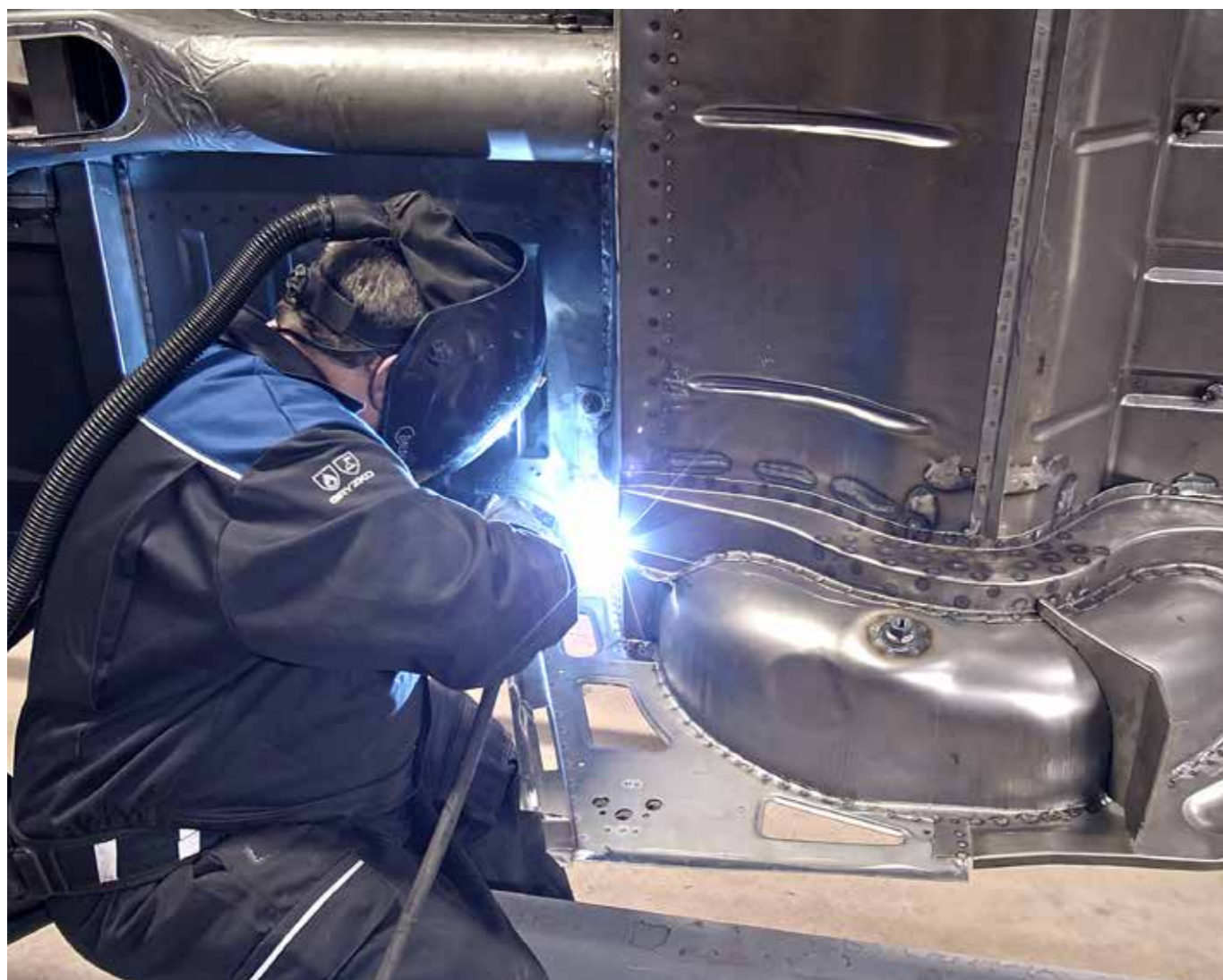
Enthusiastic owners choose Heritage parts not only to ensure the originality of their motor car but also knowing that, manufactured to the original standards, they are using the very best in many safety critical areas. A genuine Heritage bodysHELL is invariably the most effective and cost efficient method of achieving a quality rebuild.

All Heritage bodysHELLS are built using the original press dies and assembly jigs which are continually inspected and refurbished as necessary to maintain optimum performance. The manufacturing process combines traditional handcrafting skills, authentic production information, drawings and patterns with state of the art technology. Only top grade automotive steel is used.

Each bodysHELL receives a coat of wash etch primer followed by one light and one full coat of high build primer. We also offer a range of additional services to customers planning a rebuild project using a new bodysHELL:

- Advice on any aspect of the rebuild direct from our experts
- BodysHELLS made for competition can be seam welded for additional stiffness

A Heritage Factory production certificate for your bodysHELL can be issued free of charge by contacting our sales department - **01993 707200**.



Bodyshell fitting Notes

To help with preparing your bodysHELL for build, download our Bodyshell Fitting Notes brochure which provides you with information on preparing and finishing your bodysHELL.

Go to www.bmh-ltd.com/bodyshell-fitting-notes

Mini Bodyshells



MKI

The early body is markedly different from its later counterparts. The major variances include:

- Smaller door aperture with different step profiles.
- Sliding window doors with external hinges.
- Rear window, rear side windows, rear light mountings.
- Different 'A' panels and hinge reinforcements, cantrails, floors, sills, front and rear parcel shelves, switch panel, boot panel, bonnet and inner valances, front valance and number plate mounting.



MKIV

- Fits models with rod change gearbox and rubber mounted subframe (1976 to 1989).
- MkIV fits MkIII models (1972 to 1976) with rod change gearbox provided that the solid mounted subframe is changed for the rubber mounted version.
- Engine bay caters for side mounted radiator (correct slatted inner wing).
- MkIV grille panel.
- Dashboard bulkhead panel includes "rotadip" aperture, improving access for a centre binnacle.
- Front seatbelt mountings attached in pre-1997 positions.
- Rear seatbelt mountings retained.



MKV features

- MkV bodysHELL is the same as that produced at Longbridge for the final production run.
- Current specification brackets for airbag sensor, alarm and boot mounted washer bottle.



Mini Bodyshells

ITEM CODE	DESCRIPTION	APPLICATION
HMP441050	Bodyshell, Body Complete Assembly	Mini MkI Saloon, 1960-67
BMP0343	Bodyshell, Body Complete Assembly	Mini MkIV Saloon, 1976-91 (carb, rubber subframe)
AAA36002	Bodyshell, Body Complete Assembly	Mini MkIV Saloon, 1991-96 (TBI/SPI)
AAA360200	Bodyshell, Body Complete Assembly	Mini MkV Saloon, 1997 on (MPI, not Sportpack or Japan SPI)
AAA360210	Bodyshell, Body Complete Assembly	Mini MkV Saloon, 1997 on (MPI, Sportpack, not Japan SPI)
CZH594	Bodyshell, Body Complete Assembly	Mini Clubman/1275GT Saloon, 1976-80 (rubber subframe)



MGB Roadster Bodyshells

ITEM CODE	DESCRIPTION	APPLICATION
AHH7482*	Bodyshell, Body Complete Assembly	MGB Roadster, 1964-67 (RHD, 3 synchro, push button door handles)
HZA4245	Bodyshell, Body Complete Assembly	MGB Roadster, 1967-74 (RHD/LHD, 4 synchro, chrome bumper, not North America)
HZA4246	Bodyshell, Body Complete Assembly	MGB Roadster, 1967-74 (LHD, 4 synchro, chrome bumper, North America only)
HZA4891	Bodyshell, Body Complete Assembly	MGB Roadster, 1974-76 (RHD, rubber bumper, mechanical radiator fan)
HZA5237	Bodyshell, Body Complete Assembly	MGB Roadster, 1976-77 (RHD, rubber bumper, electric radiator fan, single line brakes)
HZA5545	Bodyshell, Body Complete Assembly	MGB Roadster, 1978 on (RHD, rubber bumper, dual line brakes)
HZA4892	Bodyshell, Body Complete Assembly	MGB Roadster, 1974-76 (LHD, rubber bumper, mechanical radiator fan, North America only)
HZA5547	Bodyshell, Body Complete Assembly	MGB Roadster, 1976 on (LHD, rubber bumper, electric radiator fan, North America only)
BMH4011	Bodyshell, Body Complete Assembly	MGB Roadster, V8 conversion (RHD/LHD, chrome bumper, not RV8 inner wings, not North America)
BMH4012	Bodyshell, Body Complete Assembly	MGB Roadster, V8 conversion (RHD/LHD, rubber bumper, not RV8 inner wings, not North America)
BMH4014	Bodyshell, Body Complete Assembly	MGB Roadster, V8 conversion (RHD/LHD, chrome bumper, with RV8 inner wings, not North America)
BMH4019	Bodyshell, Body Complete Assembly	MGB Roadster, rubber to chrome bumper conversion (RHD/LHD, not North America)



MGB GT Bodyshells

ITEM CODE	DESCRIPTION	APPLICATION
AHH7383*	Bodyshell, Body Complete Assembly	MGB GT, 1965-67 (RHD, 3 synchro, push button door handles)
HZA4247	Bodyshell, Body Complete Assembly	MGB GT, 1967-74 (RHD/LHD, 4 synchro, chrome bumper, not North America)
HZA4248	Bodyshell, Body Complete Assembly	MGB GT, 1967-74 (LHD, 4 synchro, chrome bumper, North America only)
HZA4894	Bodyshell, Body Complete Assembly	MGB GT, 1974-76 (RHD, rubber bumper, mechanical radiator fan)
HZA5240	Bodyshell, Body Complete Assembly	MGB GT, 1976-77 (RHD, rubber bumper, electric radiator fan, single line brakes)
HZA5546	Bodyshell, Body Complete Assembly	MGB GT, 1978 on (RHD, rubber bumper, dual line brakes)
BMH9010	Bodyshell, Body Complete Assembly	MGB GT, 1974-75 (LHD, rubber bumper, mechanical radiator fan, North America only)
HZA4251	Bodyshell, Body Complete Assembly	MGB GT V8, 1972-74 (RHD, chrome bumper, original spec.)
BMH9020	Bodyshell, Body Complete Assembly	MGB GT V8, 1974-76 (RHD, rubber bumper, original spec.)
BMH9023	Bodyshell, Body Complete Assembly	MGB GT, V8 conversion (RHD/LHD, chrome bumper, with RV8 inner wings, not North America)

* Tooling no longer exists for the production of the transmission tunnel for cars with a 3 synchro gear box. Bodyshells for these models can be built using a recovered, undamaged, transmission tunnel provided by the customer. Please contact sales@bmh-ltd.com for further details.

Some tooling is also unavailable for the doors and 'B' posts of cars with pull handle doors. These shells are produced using the later push button doors and 'B' posts. All shells have provision for reversing lights. On GT shells, the 'C' post to roof section is not lead filled leaving the customer to either fill before paint or use the 'C' post badges (BHH1400 & BHH1401) as fitted to later cars.



MG Midget Bodyshells

ITEM CODE	DESCRIPTION	APPLICATION
BMH8057	Bodyshell, Body Complete Assembly	Sprite/Midget, 1967-69 (RHD/LHD, chrome bumper, H-AN9/G-AN4, not North America)
CZJ366	Bodyshell, Body Complete Assembly	Sprite/Midget, 1970-72 (RHD/LHD, chrome bumper, H-AN10/A-AN10/G-AN5, square rear wheel arch, not North America)
CZJ83	Bodyshell, Body Complete Assembly	Midget, 1972-74 (RHD/LHD, chrome bumper, G-AN5, round rear wheel arch, not North America)
CZJ732	Bodyshell, Body Complete Assembly	Midget, 1975 on (RHD, rubber bumper, twin jacking points)



Important information regarding the black primer applied to the Heritage and Steelcraft replacement body panels supplied by British Motor Heritage.

The cathodically-applied two-pack electrocoat medium build primer is of the highest quality and ideal for use under topcoats.



The Primer

1. Meets the following stringent requirements:

- The receiving metal is stoved at a minimum of 180°C for 12 minutes
- The film build is a minimum of 16 microns and maximum of 35 microns

2. Samples have been subjected to and passed tests for:

- **Adhesion** - performed within 30 minutes of painting
- **Salt spray resistance** - item subjected to 840 hours of salt spray
- **Water resistance** - item subjected to 240 hours of water soak
- **Cyclic corrosion tests** - performed to customer requirements
- **Petrol immersion** - item immersed in petrol for 1 hour at a temperature of 22 ± 3°C
- **Engine oil immersion** - item immersed in engine oil (SAE 15/40)
 - a. for 3 hours at 120 ± 1°C
 - b. for 96 hours at ambient temperature
- **DERV** - item immersed in DERV for 24 hours at ambient temperature

- **White spirit** - item
 - a. immersed in white spirit for 15 minutes at ambient temperature
 - b. wiped backwards and forwards 20 times
- **Anti-freeze** - item immersed in 50 percent anti-freeze for 1 hour at 70°C
- **Brake fluid** - item immersed in brake fluid for 24 hours at 20 ± 5°C
- **Petrol/white spirit** - item immersed for 24 hours at ambient temperature in a 2:1 mixture of petrol and white spirit
- **Heat test** - item heated for 1 hour at 149 ± 3°C
- **Pencil hardness** - the paint film tested for hardness with a 4H pencil

3. Related specifications:

- Ford** - SKM 64J 9554C/D
- Rover** - RES 22 OF. 01
- Peugeot** - B20 1100
- General Motors** - GME 00 007
- Jaguar** - JMS 20.17.01



PD-0120 METAL PARTS PREP – E-COAT PRIMER

CAUTION: WEAR THE PROPER SAFETY PROTECTION DURING THIS PROCESS. REFER TO SPECIFIC PRODUCT DATA SHEET FOR APPLICATION AND PRODUCT DETAILS.

Most Original Equipment Manufacturer (OEM) parts come from the factory with a primer called e-coat. E-coat stands for Electro-deposition Coating. The part is dipped into a primer bath and the e-coat adheres to the part with the help of an electrical process. E-coat is a very durable and corrosion resistant coating so it should not be removed from the part. Most e-coat appears to be a glossy black coating.

■ 1	Review work order to ensure that all parts to be painted are present and repairs are understood.
■ 2	Inspect part for imperfections and damage. Determine what repairs should be made if any (follow all process documents for repairs made to the part).
■ 3	Clean entire part thoroughly with Wax & Grease Remover and/or SWX350 waterborne cleaner and a clean towel. Dry thoroughly to ensure there is no leftover residue.
■ 4	To determine if E-coat is stable: Test by rubbing e-coat with thinner or urethane grade solvent on a clean towel. If coating wipes off or softens significantly, it must be removed by sanding. Apply approved bare metal primer to ALL exposed bare metal areas. If e-coat is stable, proceed to next step.
■ 5	Electrodeposition Primer must be thoroughly cleaned and may then be directly overcoated with Sealer in a wet-on-wet application without abrading. <ul style="list-style-type: none"> a. To remove minor defects – Lightly sand primer with a DA sander with 400 grit and an interface pad. Remove as little e-coat as possible. b. If preferred, on edges, body lines and recessed areas, use a hand scuff pad.
■ 6	Re-clean entire part thoroughly with Wax & Grease Remover and/or SWX350 waterborne cleaner and a clean towel. Dry thoroughly. Tack off the dry part before Primer Sealer application.
■ 7	Primer Sealer must be applied to e-coat. Obtain primer sealer gray shade number (G1-G7) from color formula retrieval screen. Apply medium wet coat of primer sealer to entire part.



We protect and beautify the world is a trademark and the PPG Logo is a registered trademark of PPG Industries Ohio, Inc.



Jaguar enthusiasts will be well aware that the incomparable E-Type is over 60 years old. A fact being joyfully celebrated the world over.



Of course, individual examples of such an iconic model are dependent on a ready supply of spare parts for their own longevity, and for an E-Type the biggest ‘must have’ is that famously long snout, which is where British Motor Heritage (BMH) comes in.



As with all BMH products, the bonnets are manufactured with reference to the original drawings and using the original tools, and so are identical to those produced in period.

mention a great deal of hand finishing.

Each one is a true labour of love that requires the input of four highly skilled craftsmen and a total of 68 man hours – small wonder when you consider that a staggering 750 components are involved, not to

The panels are manufactured exclusively for Jaguar Land Rover (JLR) and readily available through its dealers nationwide. Nor are they the only products now supplied to JLR by British Motor Heritage, which also manufactures some key replacement panels for the classic Range Rover.





Classic Mini



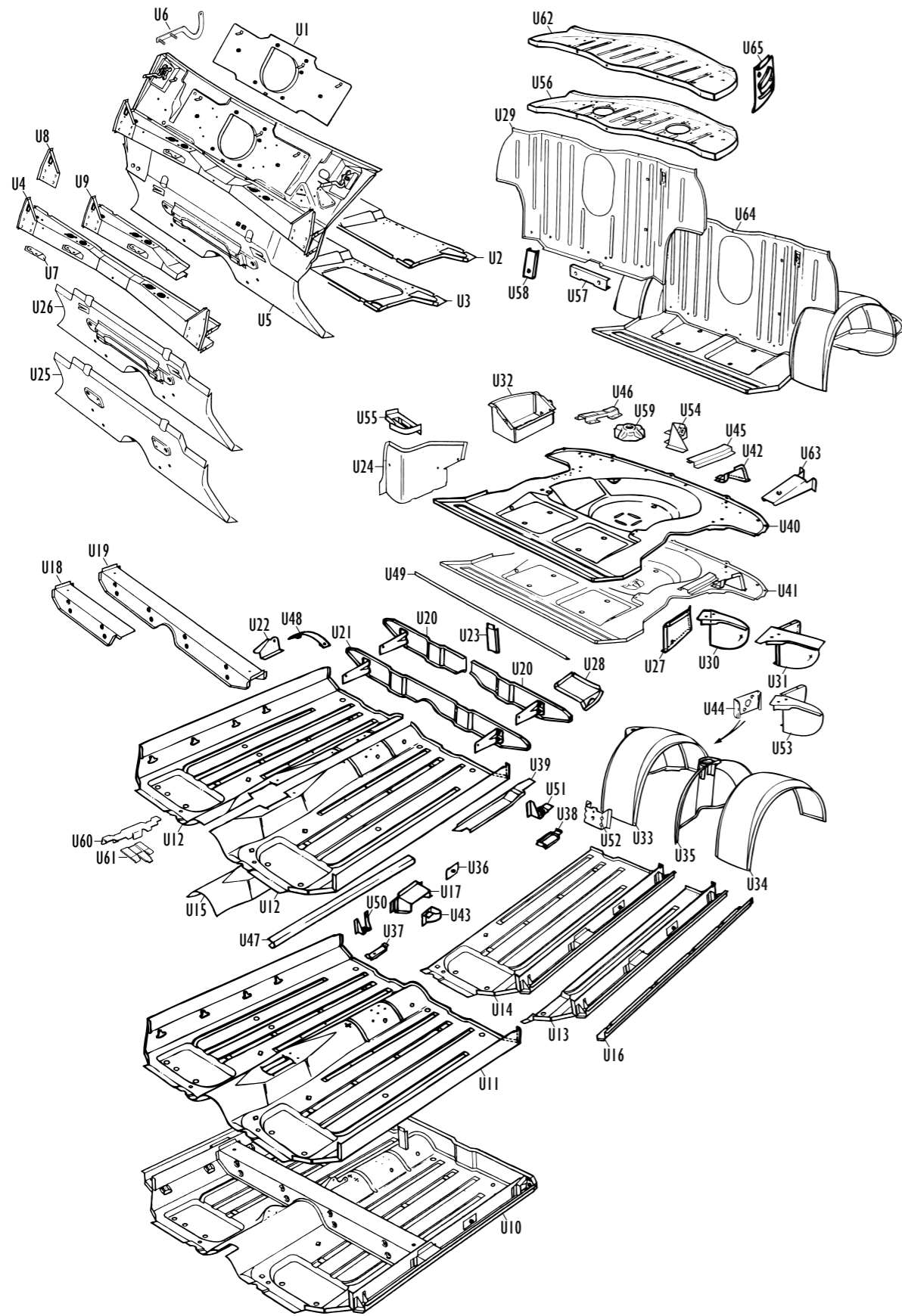
The original Mini started life in 1959 and has earned a whole cupboard-full of records that could fill many pages. Here's just a selection: The longest production run of any mass produced British car with 5.4 million made over a period of 41 years The greatest number of different derivatives, factory built worldwide, of any British model - we haven't actually counted them, but can you think of anything else that has had saloons, estates, convertibles, vans, pick ups, Mokes, warmed-

up (Cooper), hotted-up (Cooper S) and superheated (ERA Turbo) versions, extended-boot luxury versions, extended-nose fashion versions.

Outstanding success in the hands of iconic motorsport heroes such as Paddy Hopkirk. When production came to an end in 2000, British Motor Heritage took over the tooling for the body panels and now continues to manufacture spares alongside complete bodyshells.



Mini Underframe

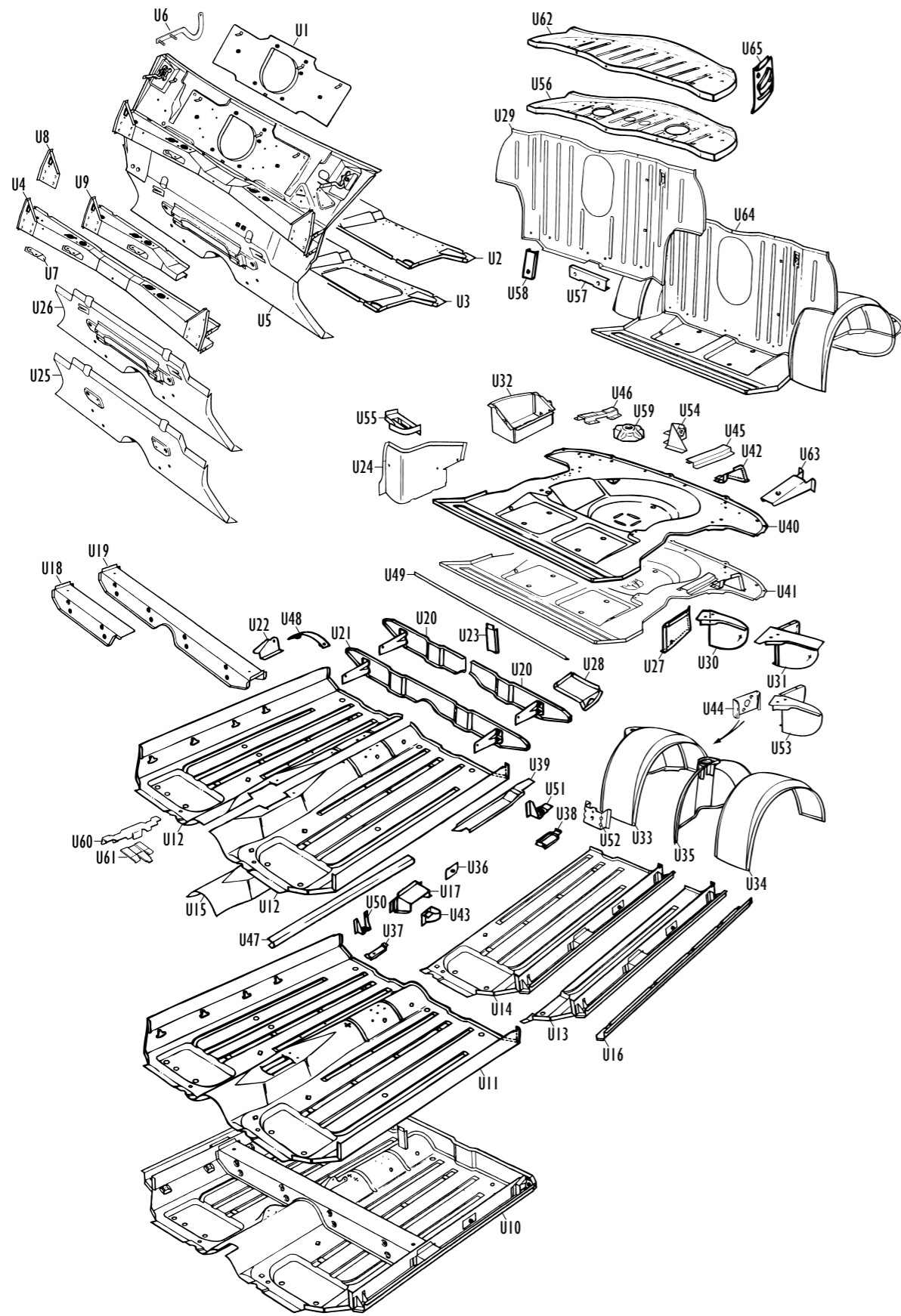


Mini Underframe continued

KEY	ITEM CODE	NAME	DESCRIPTION	APPLICATION
U1	HMP441017	Conversion Panel	Conversion Panel, Rotodip Piercing, Dash	Mini & Clubman/1275GT, 1959 on (converts fuel injection dash panel to accept centre instrument binnacle)
U2	14A7245	Parcel Shelf	Parcel Shelf, Fascia	Mini & Clubman/1275GT, 1959-69 (will fit later models, does not feature later type large cut outs)
U3	CZH231	Parcel Shelf	Parcel Shelf, Fascia	Mini & Clubman/1275GT, 1970 on (will fit earlier models, but features later type large cut outs)
U4	AHC36003	Crossmember	Crossmember, Dash, Complete Assembly	Mini, 1990 on (will fit 1976-89 models with rubber subframe mountings but does not have PDWA valve mountings, not Clubman/1275GT)
U5	CZH3216	Dash	Dash, Complete Assembly, 'Front Bulkhead'	Mini & Clubman/1275GT, 1976-89 (rubber mounted subframe, pre-fuel injection)
U5	AHA36005	Dash	Dash, Complete Assembly, 'Front Bulkhead'	Mini, 1990 on (1990-94 carburetter plus all fuel injection models)
U6	BMP0348	Hinge	Hinge, Bonnet, RH	Mini, 1980 on (outboard mounting position, will fit 1970-80 models if fitted in pairs, not Clubman/1275GT)
U6	BMP0349	Hinge	Hinge, Bonnet, LH	Mini, 1980 on (outboard mounting position, will fit 1970-80 models if fitted in pairs, not Clubman/1275GT)
U6	14A7246	Hinge	Hinge, Bonnet, RH	Mini, 1959-69 (inboard mounting)
U6	14A7247	Hinge	Hinge, Bonnet, LH	Mini, 1959-69 (inboard mounting)
U7	14A6730	Bracket	Bracket, Engine Stabiliser & Clutch Pipe	Mini & Clubman/1275GT, 1959 on (all)
U8	AHP36001	Stiffener	Stiffener, Dash Crossmember to Inner Wing, RH	Mini, 1990 on (will fit 1970-89 models, not Clubman/1275GT)
U8	AHP36007	Stiffener	Stiffener, Dash Crossmember to Inner Wing, LH	Mini, 1990 on (will fit 1970-89 models, not Clubman/1275GT)
U9	AHC36003R	Crossmember	Crossmember, Dash, Half Width, Repair, RH	Mini, 1990 on (will fit 1976-89 models with rubber subframe mountings, not Clubman/1275GT)
U9	AHC36003L	Crossmember	Crossmember, Dash, Half Width, Repair, LH	Mini, 1990 on (will fit 1976-89 models with rubber subframe mountings, not Clubman/1275GT)
U10	ADA36002	Floor	Floor, Main, Complete Assembly	Mini, 1997 on (with seat belt pre-tensioners)
U10	ADA36002E	Floor	Floor, Main, Complete Assembly	Mini Saloon & Clubman/1275GT, 1973 approx. to 1996 (rod change gearbox, 1991 style floor ribs)
U11	CZH2669	Floor	Floor, Main, Full Width, Bare Panel	Mini & Clubman/1275GT, 1973 approx. on (rod change gearbox, 1991 style floor ribs)
U12	HMP441004	Floor	Floor, Main, Half Width, Bare Panel, Repair, RH	Mini & Clubman/1275GT, 1959 on (fits all models, but features 1991 style floor ribs)
U12	HMP441005	Floor	Floor, Main, Half Width, Bare Panel, Repair, LH	Mini & Clubman/1275GT, 1959 on (fits all models, but features 1991 style floor ribs)
U13	ADA36002RQ	Floor	Floor, Main, Outer Edge & Sill Assembly, Repair, RH	Mini Saloon & Clubman/1275GT, 1971 on (features 6 flute outer sill, may be fitted to earlier models)
U13	ADA36002LQ	Floor	Floor, Main, Outer Edge & Sill Assembly, Repair, LH	Mini Saloon & Clubman/1275GT, 1971 on (features 6 flute outer sill, may be fitted to earlier models)
U14	ADA36002RH	Floor	Floor, Main, Half Width & Sill Assembly, Repair, RH	Mini Saloon & Clubman/1275GT, 1971 on (features 6 flute outer sill, may be fitted to earlier models)
U14	ADA36002LH	Floor	Floor, Main, Half Width & Sill Assembly, Repair, LH	Mini Saloon & Clubman/1275GT, 1971 on (features 6 flute outer sill, may be fitted to earlier models)
U15	ADA36002C	Floor	Floor, Main, Centre Tunnel Assembly Only, Repair	Mini, 1997 on (with seat belt pre-tensioners)
U15	ADA36002EC	Floor	Floor, Main, Centre Tunnel Assembly Only, Repair	Mini & Clubman/1275GT, 1973 approx. to 1996 (rod change gearbox)
U16	14A9534	Sill	Sill Outer, RH	Mini Saloon & Clubman/1275GT, 1971 on (features 6 flutes, may be fitted to earlier models)
U16	14A9535	Sill	Sill Outer, LH	Mini Saloon & Clubman/1275GT, 1971 on (features 6 flutes, may be fitted to earlier models)
U17	14A8374	Extension	Extension, Main Floor Crossmember, Outer End, RH	Mini & Clubman/1275GT, 1961 on (all models except 1959 one piece floor, includes jacking point)
U17	14A8375	Extension	Extension, Main Floor Crossmember, Outer End, LH	Mini & Clubman/1275GT, 1961 on (all models except 1959 one piece floor, includes jacking point)
U18	CZH2675R	Crossmember	Crossmember, Main Floor, Half Width, Assembly, Repair, RH	Mini & Clubman/1275GT, 1973 approx. on (rod change gearbox)
U18	CZH2675L	Crossmember	Crossmember, Main Floor, Half Width, Assembly, Repair, LH	Mini & Clubman/1275GT, 1973 approx. on (rod change gearbox, features 1997 on cut out)
U19	CZH2675	Crossmember	Crossmember, Main Floor, Full Width, Assembly	Mini & Clubman/1275GT, 1973 approx. on (rod change gearbox, features 1997 on cut out)
U20	HMP441006	Heelboard	Heelboard, Half Width, Assembly, Repair, RH	Mini Saloon & Clubman/1275GT, 1961 on (includes subframe mounting)
U20	HMP441007	Heelboard	Heelboard, Half Width, Assembly, Repair, LH	Mini Saloon & Clubman/1275GT, 1961 on (includes subframe mounting, features 1991 on fuel injection pipe cut outs)



Mini Underframe

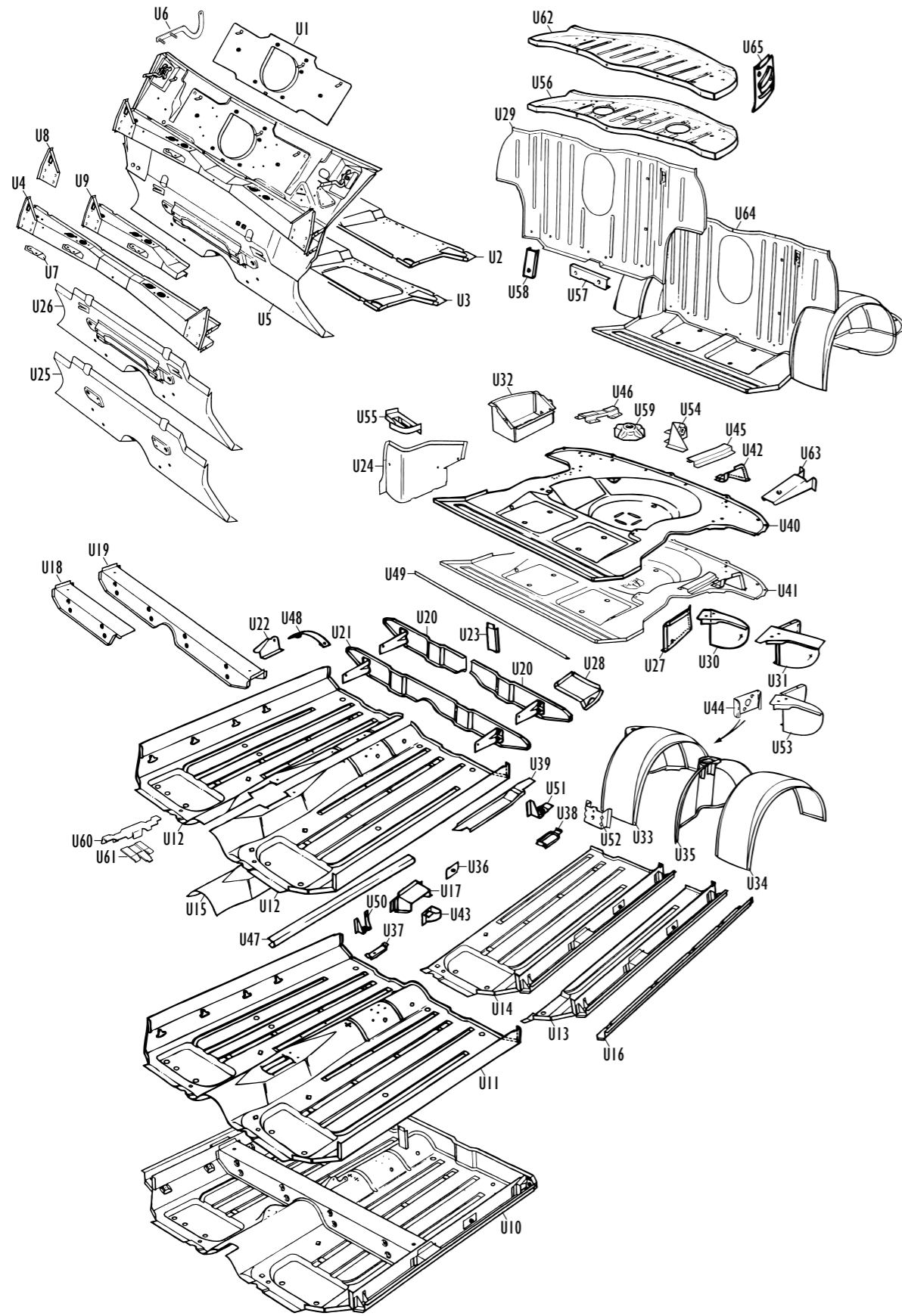


Mini Underframe continued

KEY	ITEM CODE	NAME	DESCRIPTION	APPLICATION
U21	HMP441008	Heelboard	Heelboard, Full Width, Assembly	Mini Saloon & Clubman/1275GT, 1961 on (includes subframe mountings)
U22	CZH3214	Bracket	Bracket, Handbrake Mounting	Mini & Clubman/1275GT, 1976 on (for single cable type handbrake)
U23	14A6624	Support	Support, Rear Seat Pan To Centre Tunnel	Mini Saloon & Clubman/1275GT, 1959 on (all)
U24	AD0360020	Companion Box	Companion Box, Assembly, RH	Mini Saloon & Clubman/1275GT (all models with internal hinge doors, features 1994 on type seat belt mounting, without ash tray)
U24	AD0360030	Companion Box	Companion Box, Assembly, LH	Mini Saloon & Clubman/1275GT (all models with internal hinge doors, features 1994 on type seat belt mounting, without ash tray)
U25	AHA36007	Toeboard	Toeboard, Bare Panel	Mini, 1990 on (may be used on 1976-90 rubber subframe models, or modified for earlier models)
U26	AHA36006	Toeboard	Toeboard, Assembly	Mini, 1990 on (with rack mountings, may be used on 1976-90 rubber subframe models)
U27	ALA5532	Bracket	Bracket, Bump Stop Reinforcement, RH	Mini Saloon & Clubman/1275GT, 1967 on
U27	ALA5533	Bracket	Bracket, Bump Stop Reinforcement, LH	Mini Saloon & Clubman/1275GT, 1967 on
U28	14A6611	Closing Panel	Closing Panel, Heelboard to Wheelarch, RH	Mini & Clubman/1275GT, 1959 on (all except van with metal load floor & pick up)
U28	14A6612	Closing Panel	Closing Panel, Heelboard to Wheelarch, LH	Mini & Clubman/1275GT, 1959 on (all except van with metal load floor & pick up)
U29	24A2204	Brace Panel	Brace Panel, Rear Seat, Bare	Mini Saloon & Clubman/1275GT, 1965 approx. on (1990 condition without Rotodip hole, will fit earlier models)
U30	ALA5524	Closing Panel	Closing Panel, Rear Valance, RH	Mini Saloon & Clubman/1275GT, 1967 on (will fit earlier models)
U30	ALA5525	Closing Panel	Closing Panel, Rear Valance, LH	Mini Saloon & Clubman/1275GT, 1967 on (will fit earlier models)
U31	HMP441020	Closing Panel	Closing Panel, Rear Valance, Complete Assembly, RH	Mini Saloon & Clubman/1275GT, 1967 on (with reinforcement for subframe mounting)
U31	HMP441021	Closing Panel	Closing Panel, Rear Valance, Complete Assembly, LH	Mini Saloon & Clubman/1275GT, 1967 on (with reinforcement for subframe mounting)
U32	14A6499	Battery Box	Battery Box Assembly	Mini Saloon & Clubman/1275GT, 1959 on (all)
U33	14A9558	Wheelarch	Wheelarch, Rear, Assembly, RH	Mini Saloon & Clubman/1275GT, 1959 on (does not include rear seat belt mounting bracket for later models)
U33	14A9559	Wheelarch	Wheelarch, Rear, Assembly, LH	Mini Saloon & Clubman/1275GT, 1959 on (does not include rear seat belt mounting bracket for later models)
U34	14A6617	Wheelarch	Wheelarch, Rear, Outer Panel Only, RH	Mini Saloon & Clubman/1275GT, 1959 on (all)
U34	14A6618	Wheelarch	Wheelarch, Rear, Outer Panel Only, LH	Mini Saloon & Clubman/1275GT, 1959 on (all)
U35	HMP441010	Wheelarch	Wheelarch, Rear, Inner Assembly, RH	Mini Saloon & Clubman/1275GT, 1959 on (all, includes shock absorber mounting)
U35	HMP441011	Wheelarch	Wheelarch, Rear, Inner Assembly, LH	Mini Saloon & Clubman/1275GT, 1959 on (all, includes shock absorber mounting)
U36	24A2186	Reinforcement	Reinforcement, Seat Belt Mounting, Main Floor, Outer	Mini & Clubman/1275GT, 1961 on ('inner sill' seat belt mounting)
U37	24A41	Bracket	Bracket, Slingshoe, Front	Mini & Clubman/1275GT, 1959 on (all)
U38	24A42	Bracket	Bracket, Slingshoe, Rear, RH	Mini & Clubman/1275GT, 1959 on (all)
U38	24A43	Bracket	Bracket, Slingshoe, Rear, LH	Mini & Clubman/1275GT, 1959 on (all)
U39	14A8994	Stiffener	Stiffener, Inner Sill, Rear, RH	Mini Saloon & Clubman/1275GT, 1961 on ('companion box base', all models except 1959 one piece floor)
U39	14A8995	Stiffener	Stiffener, Inner Sill, Rear, LH	Mini Saloon & Clubman/1275GT, 1961 on ('companion box base', all models except 1959 one piece floor)
U40	ALA5513	Floor	Floor, Rear, With Rear Seat Pan, Bare Panel	Mini Saloon & Clubman/1275GT, 1959 on (fits all models, features 1991 on fuel injection pipe piercings)
U41	HMP441016	Floor	Floor, Rear, With Rear Seat Pan, Assembly	Mini Saloon & Clubman/1275GT, 1959 on (fits all models, includes battery box, features 1991 on fuel injection pipe piercings)
U42	14A6609	Reinforcement	Reinforcement, Rear Floor to Wheelarch, RH	Mini Saloon & Clubman/1275GT, 1959 on (all models, also reinforces rear subframe mounting)
U42	14A6610	Reinforcement	Reinforcement, Rear Floor to Wheelarch, LH	Mini Saloon & Clubman/1275GT, 1959 on (all models, also reinforces rear subframe mounting)
U43	14A8336	Jacking Point	Jacking Point, RH	Mini & Clubman/1275GT, 1961 on (all models except 1959 one piece floor)
U43	14A8337	Jacking Point	Jacking Point, LH	Mini & Clubman/1275GT, 1961 on (all models except 1959 one piece floor)



Mini Underframe

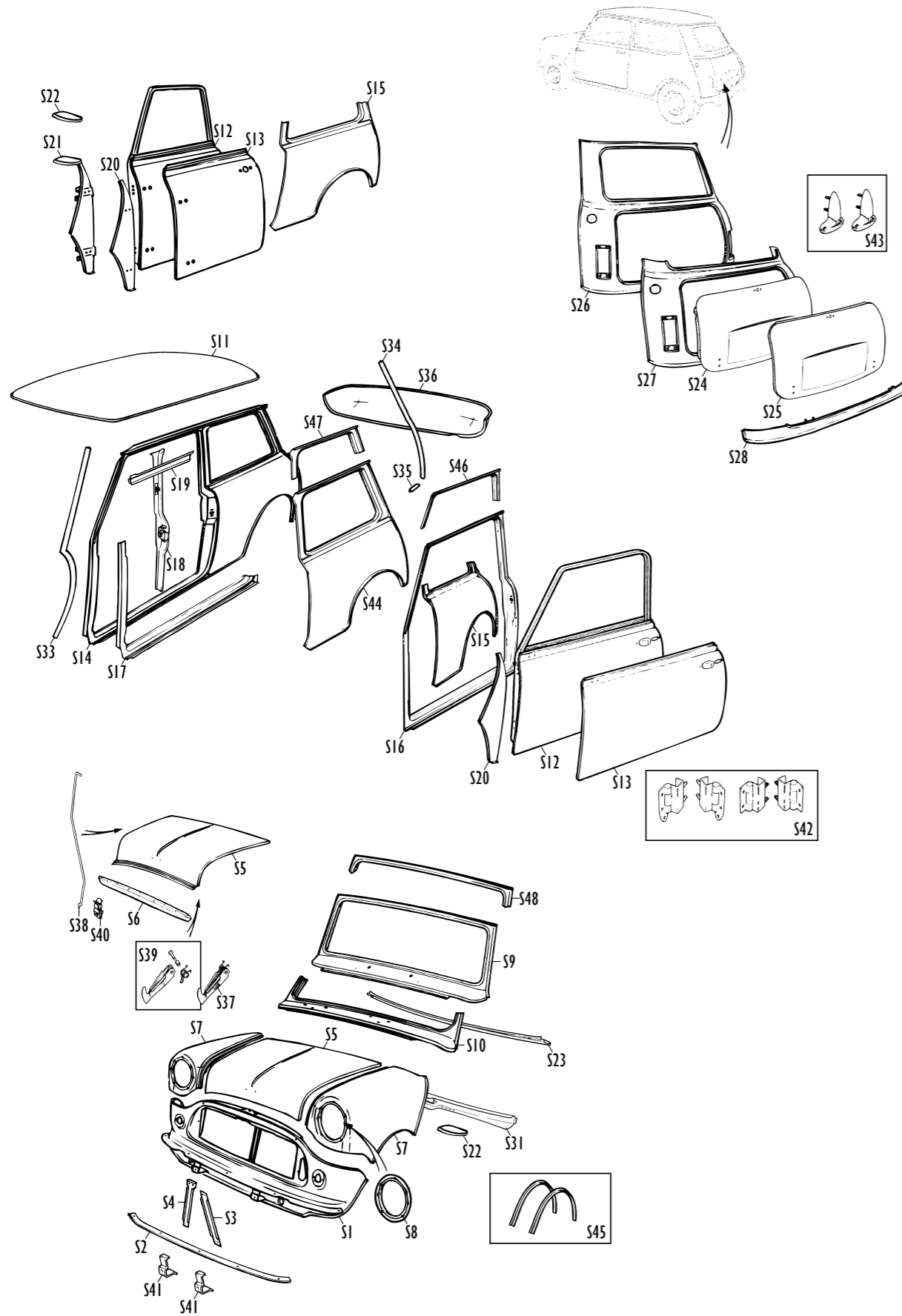


Mini Underframe continued

KEY	ITEM CODE	NAME	DESCRIPTION	APPLICATION
U44	CZG1496	Bracket	Bracket, Washer Bottle to Wheelarch Bracket	Mini Saloon, 1994 on (all)
U45	14A6867	Channel	Channel, LH Fuel Tank Support	Mini Saloon & Clubman/1275GT, 1959-75 (standard LH fuel tank only)
U46	21A1330	Channel	Channel, RH Fuel Tank Support	Mini Saloon, 1962-71 (optional RH fuel tank only)
U47	24A1463	Channel	Channel, Battery Cable Securing	Mini & Clubman/1275GT, 1959 on (all)
U48	24A2187	Reinforcement	Reinforcement, Seat Belt Mounting, Main Floor, Centre	Mini & Clubman/1275GT, 1961 on (centre tunnel seat belt mounting)
U49	14A6672	Reinforcement	Reinforcement, Angle, Rear Seat Pan Edge	Mini Saloon & Clubman/1275GT, 1959 on (all)
U50	14A9550	Reinforcement	Reinforcement, Outer Sill to Main Floor, Front	Mini & Clubman/1275GT, 1961 on (all models except 1959 one piece floor, includes slinging shoe nut)
U51	14A9552	Reinforcement	Reinforcement, Outer Sill to Main Floor, Rear, RH	Mini & Clubman/1275GT, 1961 on (all models except 1959 one piece floor, includes slinging shoe nut)
U51	14A9553	Reinforcement	Reinforcement, Outer Sill to Main Floor, Rear, LH	Mini & Clubman/1275GT, 1961 on (all models except 1959 one piece floor, includes slinging shoe nut)
U52	AFU360040	Bracket	Bracket, Seat Belt to Rear Wheelarch, RH	Mini Saloon, 1997 on (will fit older models)
U52	AFU360050	Bracket	Bracket, Seat Belt to Rear Wheelarch, LH	Mini Saloon, 1997 on (will fit older models)
U53	ALA5528	Closing Panel	Closing Panel, Rear Valance, Assembly, RH	Mini Saloon & Clubman/1275GT, 1967 on (all)
U53	ALA8623	Closing Panel	Closing Panel, Rear Valance, Assembly, LH	Mini Saloon & Clubman/1275GT, 1976 on (will fit 1967 on, but does not include fuel tank mounting nut)
U54	CZH3241	Bracket	Bracket, Fuel Tank Retaining Strap	Mini & Clubman/1275GT, 1976 on (5 1/2 or 7 1/2 gallon tank, with one piece retaining strap)
U55	14A6494/A	Bracket	Bracket Ashtray, Companion Box, RH	Mini 1959-94 (all models except van/pick up, as fitted)
U55	14A6495/A	Bracket	Bracket Ashtray, Companion Box, LH	Mini 1959-94 (all models except van/pick up, as fitted)
U56	14A6564	Shelf	Parcel Shelf, Rear, Assembly	Mini Saloon & Clubman/1275GT, 1959 on (all models, includes boot lock striker bracket, later condition shelf with speaker holes)
U57	CZH2617	Mounting	Mounting Plate, Rear Seat Belt, Centre	Mini Saloon and Clubman/1275GT, 1964 on (mounting plate without nuts, optional to 1969, standard fitment 1969 on)
U57	CZH2618	Mounting	Mounting Assembly, Rear Seat Belt, Centre	Mini Saloon and Clubman/1275GT, 1964 on (mounting plate with nuts, optional to 1969, standard fitment 1969 on)
U58	CZH586	Mounting	Mounting Assembly, Rear Seat Belt, Lower Side, RH	Mini Saloon and Clubman/1275GT, 1969 on (mounting plate with nut)
U58	CZH587	Mounting	Mounting Assembly, Rear Seat Belt, Lower Side, LH	Mini Saloon and Clubman/1275GT, 1969 on (mounting plate with nut)
U59	88G479	Boss	Threaded Boss, Spare Wheel Clamp	Mini, 1959-68 (all models except van with metal load floor and Pick Up)
U60	ALA5527	Multiclip	Multiclip, Underfloor, Pipe/Cable Support	Mini, 1960-90 approx. (all models)
U61	ALA5536	Clip	Service Clip, Wiring, Main Floor Sides	Mini, 1960-90 approx. (all models)
U62	14A6564/MK1	Shelf	Parcel Shelf, Rear, Assembly	Mini Saloon & Clubman/1275GT, 1959 on (all models, includes boot lock striker bracket, early condition shelf without speaker holes)
U63	14A6565	Reinforcement	Reinforcement, Fuel Tank Mounting	Mini Saloon, 1959-67 (Mk1, use with Mk1 rear valance closing panels)
U64	AFB360040	Floor	Floor, Rear, With Rear Seat, Complete Assembly	Mini, 1994 on (features 1991 on fuel injection pipe piercings, rear seat belt mountings and screenwash bottle bracket)
U65	ALJ360120	Bracket	Bracket Assembly, Seat Belt Mounting to C Post, RH	Mini Saloon, 1997 on (will fit older models)
U65	ALJ360130	Bracket	Bracket Assembly, Seat Belt Mounting to C Post, RH	Mini Saloon, 1997 on (will fit older models)



Mini Skin Panels

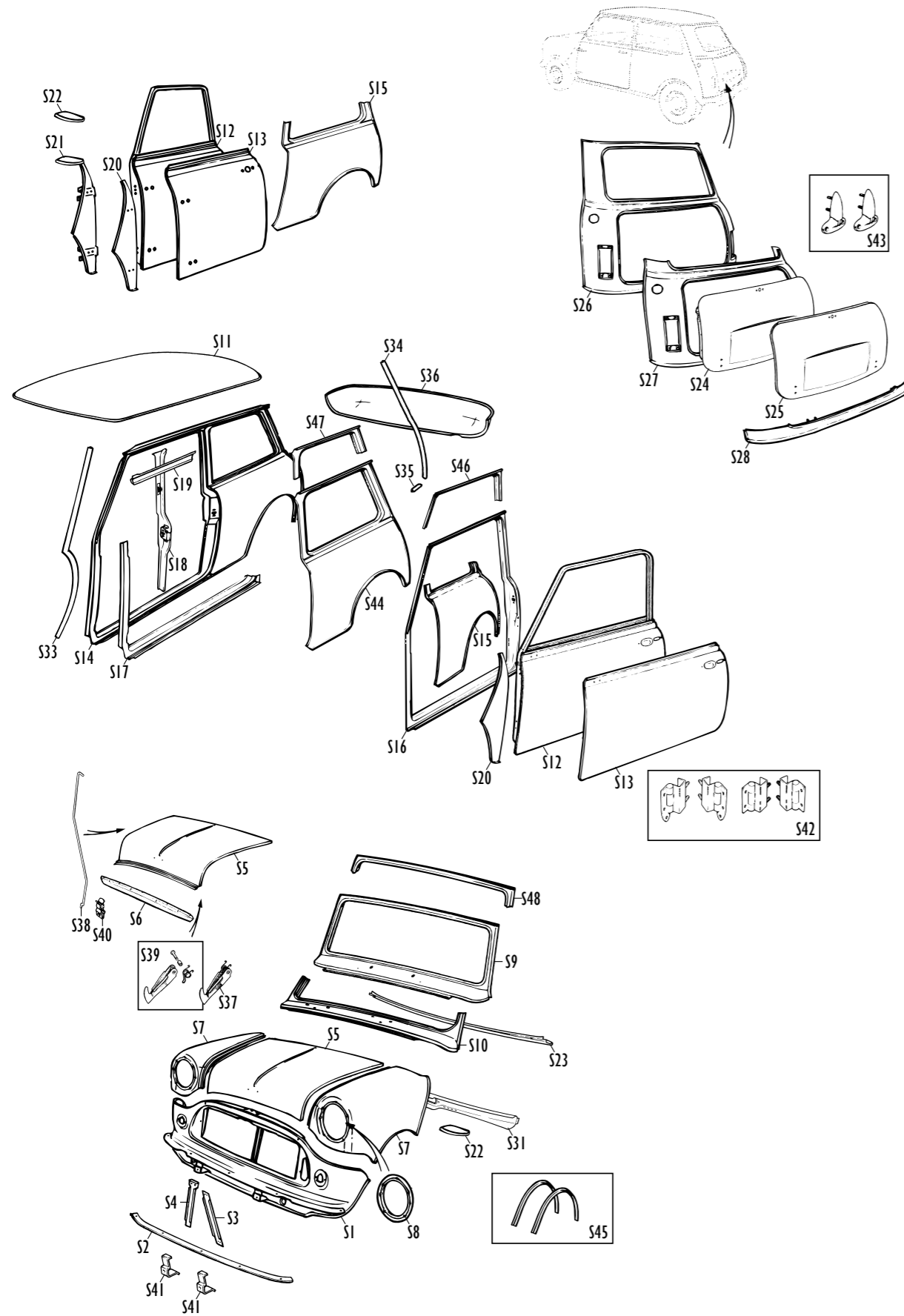


Mini Skin Panels continued

KEY	ITEM CODE	NAME	DESCRIPTION	APPLICATION
S1	14A8308	Front Panel	Front Panel Assembly, 'Grille panel'	Mini, 1964-75 (features 1964 on cutouts on lower corners, not rubber mounted subframe, not Cooper S with oil cooler, not van/pick up, not Clubman/1275GT)
S1	ASJ36002	Front Panel	Front Panel Assembly, 'Grille panel'	Mini Saloon, 1987-96 (with rubber mounted subframe, with screw-on indicator lenses)
S1	ALA8619	Front Panel	Front Panel Assembly, 'Grille panel'	Mini, 1976-87 (with rubber mounted subframe, with 'beehive' type indicators, not van/pick up, not Clubman/1275GT)
S1	ASJ360070	Front Panel	Front Panel Assembly, 'Grille panel'	Mini Saloon, 1997 on (for distributorless ignition)
S2	BMP103	Mounting Angle	Mounting Angle, Front Bumper	Mini, 1959 on (all models except Clubman/1275GT)
S3	24A1918	Support	Support Strut, Front Panel Centre, Diagonal	Mini, 1962-71 (all models with factory type oil cooler, may be used on later models up to 1996, not van/pick up, not Clubman/1275GT)
S4	ALA4583	Support	Support Strut, Front Panel Centre, vertical	Mini, 1959-96 (not factory type oil cooler, not van/pick up, not Clubman/1275GT)
S5	BKA360110	Bonnet	Bonnet, Assembly	Mini Saloon, 1970-96 (with outboard type bonnet hinges, with 1997 on type lock bracket, with side mounted safety catch, not van/pick up, not Clubman/1275GT)
S5	24A1182	Bonnet	Bonnet, Assembly	Mini, 1959-67 (Mk1 type, without support for upper grille finisher)
S5	CZH455	Bonnet	Bonnet, Assembly	Mini Saloon, 1970-96 (with outboard type bonnet hinges, with pre-1997 type lock bracket, with side mounted safety catch, not van/pick up, not Clubman/1275GT)
S5	ALA7455	Bonnet	Bonnet, Assembly	Mini, 1967-69 (MkII type, with support for upper grille finisher, with inboard type bonnet hinges)
S5	BKA360070	Bonnet	Bonnet, Assembly	Mini Saloon, 1997 on (with centre mounted safety catch)
S6	ALA6664	Support	Support, Grille Upper Finisher, Bonnet Edge	Mini, 1967 on (not van/pick up, not Clubman/1275GT)
S7	BMP454	Wing	Wing, Front, Assembly, RH	Mini Saloon, 1986 on (with egg shaped headlamp ring, with side repeater hole)
S7	BMP455	Wing	Wing, Front, Assembly, LH	Mini Saloon, 1986-96 (with egg shaped headlamp ring, with side repeater hole, with aerial hole)
S7	HMP441024	Wing	Wing, Front, Assembly, RH	Mini Saloon, 1986-96 (with round shaped headlamp ring, with side repeater hole, with A panel joint angle)
S7	HMP441025	Wing	Wing, Front, Assembly, LH	Mini Saloon, 1986-96 (with round shaped headlamp ring, with side repeater hole, with aerial hole, with A panel joint angle)
S7	14A6476	Wing	Wing, Front, Assembly, RH	Mini, 1959-86 (with egg shaped headlamp ring, without side repeater hole, not Clubman/1275GT)
S7	14A6477	Wing	Wing, Front, Assembly, LH	Mini, 1959-86 (with egg shaped headlamp ring, without side repeater hole, not Clubman/1275GT)
S7	14A7240	Wing	Wing, Front, Assembly, RH	Mini, 1959-86 (with round headlamp ring, without side repeater hole, not Clubman/1275GT)
S7	14A7241	Wing	Wing, Front, Assembly, LH	Mini, 1959-86 (with round headlamp ring, without side repeater hole, not Clubman/1275GT)
S7	ASB360010	Wing	Wing, Front, Assembly, LH	Mini Saloon, 1997 on (with egg shaped headlamp ring, with side repeater hole, without aerial hole)
S45	ALR360360	Reinforcement	Reinforcement Kit, Front Wheelarches	Mini Saloon, 1994 on (13" wheel models, Silverstone and Sport Pack. Includes two reinforcement strips, sufficient for both front wings and A panels)
S8	14A6693	Wing Repair	Wing Repair, Headlamp Mounting Ring, Round	Mini, 1959-91 approx (not models with headlamp levelling, not Clubman/1275GT)
S8	14A6693LM	Headlamp	Self levelling Headlamp Mounting Repair	For all models with self levelling headlamps
S9	CZH3140	Windscreen	Windscreen, Complete Assembly	Mini, 1969 on (all models, features 4 wiper position holes)
S10	HMP441001	Windscreen	Windscreen Repair Panel, Lower, Full Width	Mini, 1969 on (all models, features 4 wiper position holes)
S10	HMP441066	Windscreen	Windscreen Repair Panel, Lower Half Width, RH	Mini, 1969 on (all models) - not illustrated
S10	HMP441067	Windscreen	Windscreen Repair Panel, Lower Half Width, LH	Mini, 1969 on (all models) - not illustrated
S48	HMP441062	Windscreen	Windscreen Repair Panel, Upper	Mini, 1959 on (all models)
S11	AKA360010	Roof Panel	Roof Panel, Bare	Mini Saloon, 1997 on (features aerial mounting holes)
S11	14A5503	Roof Panel	Roof Panel, Bare	Mini Saloon & Clubman/1275GT, 1959-96 (without aerial mounting holes)
S12	BMP326	Door	Door Assembly, RH	Mini & Clubman/1275GT, 1969-96 (internal hinge type door, without door hinges, without side impact bar, not van/pick up)
S12	BMP327	Door	Door Assembly, LH	Mini & Clubman/1275GT, 1969-96 (internal hinge type door, without door hinges, without side impact bar, not van/pick up)
S12	BDA360100	Door	Door Assembly, RH	Mini Saloon, 1997 on (with hinges, with side impact bar)



Mini Skin Panels

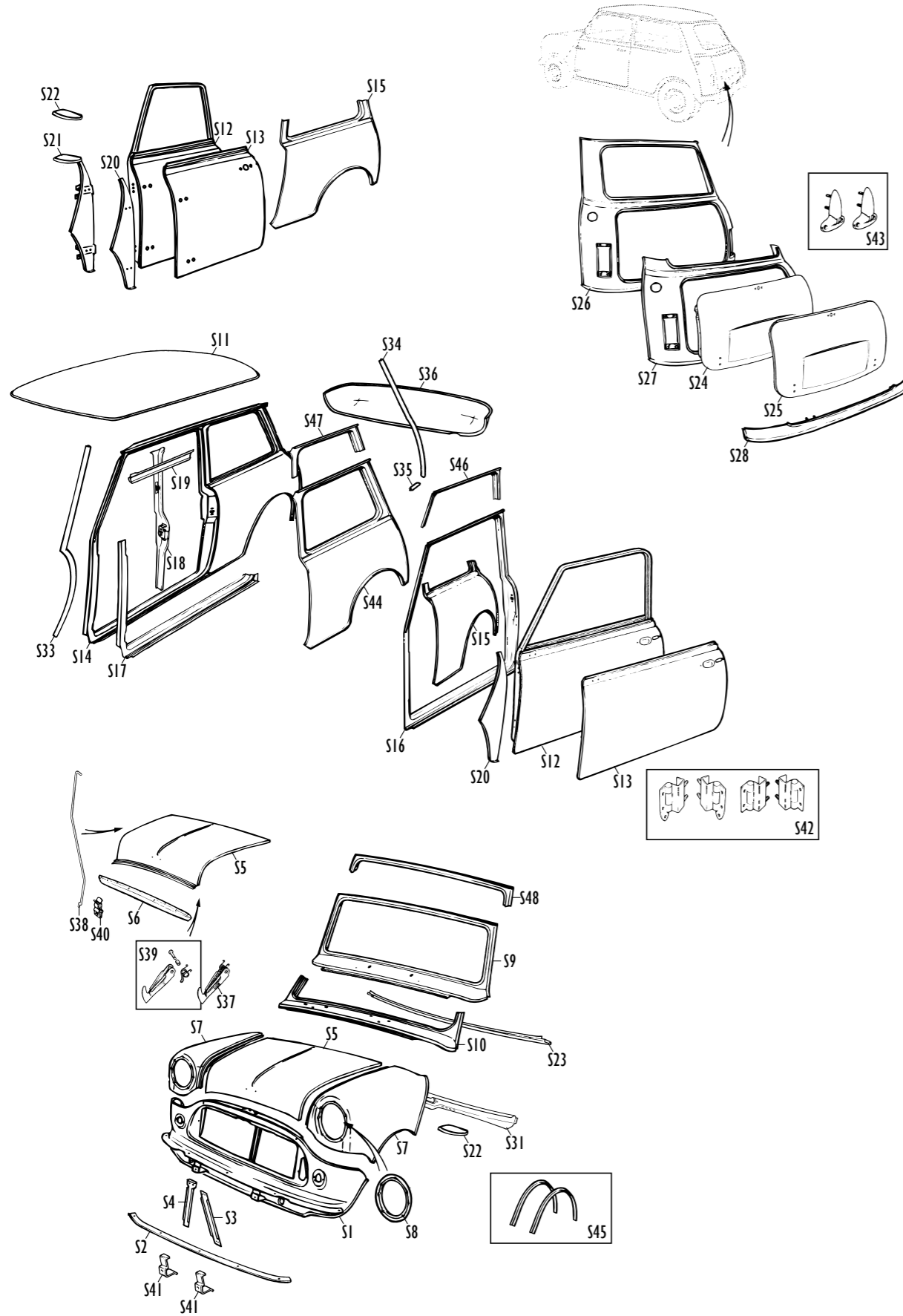


Mini Skin Panels continued

KEY	ITEM CODE	NAME	DESCRIPTION	APPLICATION
S12	BDA360110	Door	Door Assembly, LH	Mini Saloon, 1997 on (with hinges, with side impact bar)
S12	14A8306	Door	Door Assembly, RH	Mini Saloon & Traveller, 1959-69 (external hinge type door), Van/Pick Up, 1960-84 (all)
S12	14A8307	Door	Door Assembly, LH	Mini Saloon & Traveller, 1959-69 (external hinge type door), Van/Pick Up, 1960-84 (all)
S13	CZH3300	Door	Door Outer Panel, 'Skin', RH	Mini & Clubman/1275GT, 1969-96 (internal hinge type door, without threaded inserts for mirror, not van/pick up)
S13	CZH3301	Door	Door Outer Panel, 'Skin', LH	Mini & Clubman/1275GT, 1969-96 (internal hinge type door, without threaded inserts for mirror, not van/pick up)
S13	14A5498	Door	Door Outer Panel, 'Skin', RH	Mini Saloon & Traveller, 1959-69 (external hinge type door), Van/Pick Up, 1960-84 (all)
S13	14A5499	Door	Door Outer Panel, 'Skin', LH	Mini Saloon & Traveller, 1959-69 (external hinge type door), Van/Pick Up, 1960-84 (all)
S13	HMP441052	Door	Door Outer Panel, 'Skin', Alloy, RH	Mini Saloon & Traveller, 1959-69 (external hinge type door), Van/Pick Up, 1960-84 (all)
S13	HMP441053	Door	Door Outer Panel, 'Skin', Alloy, LH	Mini Saloon & Traveller, 1959-69 (external hinge type door), Van/Pick Up, 1960-84 (all)
S14	CZH431	Bodyside	Bodyside, Complete Assembly, LH	Mini Saloon & Clubman/1275GT, 1969 on (includes B post, cant rail and waist rail)
S14	CZH430	Bodyside	Bodyside, Complete Assembly, RH	Mini Saloon & Clubman/1275GT, 1969 on (includes B post, cant rail and waist rail)
S44	ALA5666	Rear Quarter	Rear Quarter Panel, RH	Mini Saloon & Clubman/1275GT, 1969 on (internal hinge type door)
S44	ALA5667	Rear Quarter	Rear Quarter Panel, LH	Mini Saloon & Clubman/1275GT, 1969 on (internal hinge type door)
S15	HMP441014	Rear Quarter	Rear Quarter, Repair, Lower Half, RH	Mini Saloon & Clubman/1275GT, 1969 on (internal hinge type door)
S15	HMP441015	Rear Quarter	Rear Quarter, Repair, Lower Half, LH	Mini Saloon & Clubman/1275GT, 1969 on (internal hinge type door)
S15	HMP441056	Rear Quarter	Rear Quarter, Repair, Lower Half, RH	Mini Saloon, 1959-69 (external hinge type door)
S15	HMP441057	Rear Quarter	Rear Quarter, Repair, Lower Half, LH	Mini Saloon, 1959-69 (external hinge type door)
S47	HMP441060	Rear Quarter	Rear Quarter, Repair, Window Upper, RH	Mini Saloon & Clubman/1275GT, 1969 on (internal hinge type door)
S47	HMP441061	Rear Quarter	Rear Quarter, Repair, Window Upper, LH	Mini Saloon & Clubman/1275GT, 1969 on (internal hinge type door)
S16	CZH122	Surround Panel	Surround Panel, Door, RH	Mini & Clubman/1275GT, 1969 on (internal hinge type door, not van/pick up)
S16	CZH123	Surround Panel	Surround Panel, Door, LH	Mini & Clubman/1275GT, 1969 on (internal hinge type door, not van/pick up)
S17	HMP441012	Surround Repair	Door Surround Repair, A Post & Door Step, RH	Mini & Clubman/1275GT, 1969 on (internal hinge type door, not van/pick up)
S17	HMP441013	Surround Repair	Door Surround Repair, A Post & Door Step, LH	Mini & Clubman/1275GT, 1969 on (internal hinge type door, not van/pick up)
S46	HMP441058	Surround Repair	Door Surround Repair, Upper & B Post, RH	Mini & Clubman/1275GT, 1969 on (internal hinge type door, not van/pick up)
S46	HMP441059	Surround Repair	Door Surround Repair, Upper & B Post, LH	Mini & Clubman/1275GT, 1969 on (internal hinge type door, not van/pick up)
S18	CZH255	B Post	B Post Assembly, RH	Mini & Clubman/1275GT, 1969 on (internal hinge type door, not van/pick up)
S18	CZH256	B Post	B Post Assembly, LH	Mini & Clubman/1275GT, 1969 on (internal hinge type door, not van/pick up)
S19	CZH426	Waist Rail	Waist Rail Assembly, RH	Mini Saloon & Clubman/1275GT, 1969 on (includes trim panel retaining channel)
S19	CZH427	Waist Rail	Waist Rail Assembly, LH	Mini Saloon & Clubman/1275GT, 1969 on (includes trim panel retaining channel)
S20	ALA5660	A Panel	Monoside Scuttle, 'Outer A Panel', RH	Mini & Clubman/1275GT, 1969 on (internal hinge type door, not van/pick up)
S20	ALA5661	A Panel	Monoside Scuttle, 'Outer A Panel', LH	Mini & Clubman/1275GT, 1969 on (internal hinge type door, not van/pick up)
S20	14A6901	A Panel	Monoside Scuttle, 'Outer A Panel', RH	Mini Saloon & Traveller, 1959-69 (external hinge type door), Van/Pick Up, 1960-84 (all)
S20	14A6902	A Panel	Monoside Scuttle, 'Outer A Panel', LH	Mini Saloon & Traveller, 1959-69 (external hinge type door), Van/Pick Up, 1960-84 (all)
S21	14A8346	A Panel	Door Hinge Panel, 'Inner A Panel', RH	Mini Saloon & Traveller, 1960-69 (external hinge type door), Van/Pick Up, 1960-84 (all)
S21	14A8347	A Panel	Door Hinge Panel, 'Inner A Panel', LH	Mini Saloon & Traveller, 1960-69 (external hinge type door), Van/Pick Up, 1960-84 (all)



Mini Skin Panels

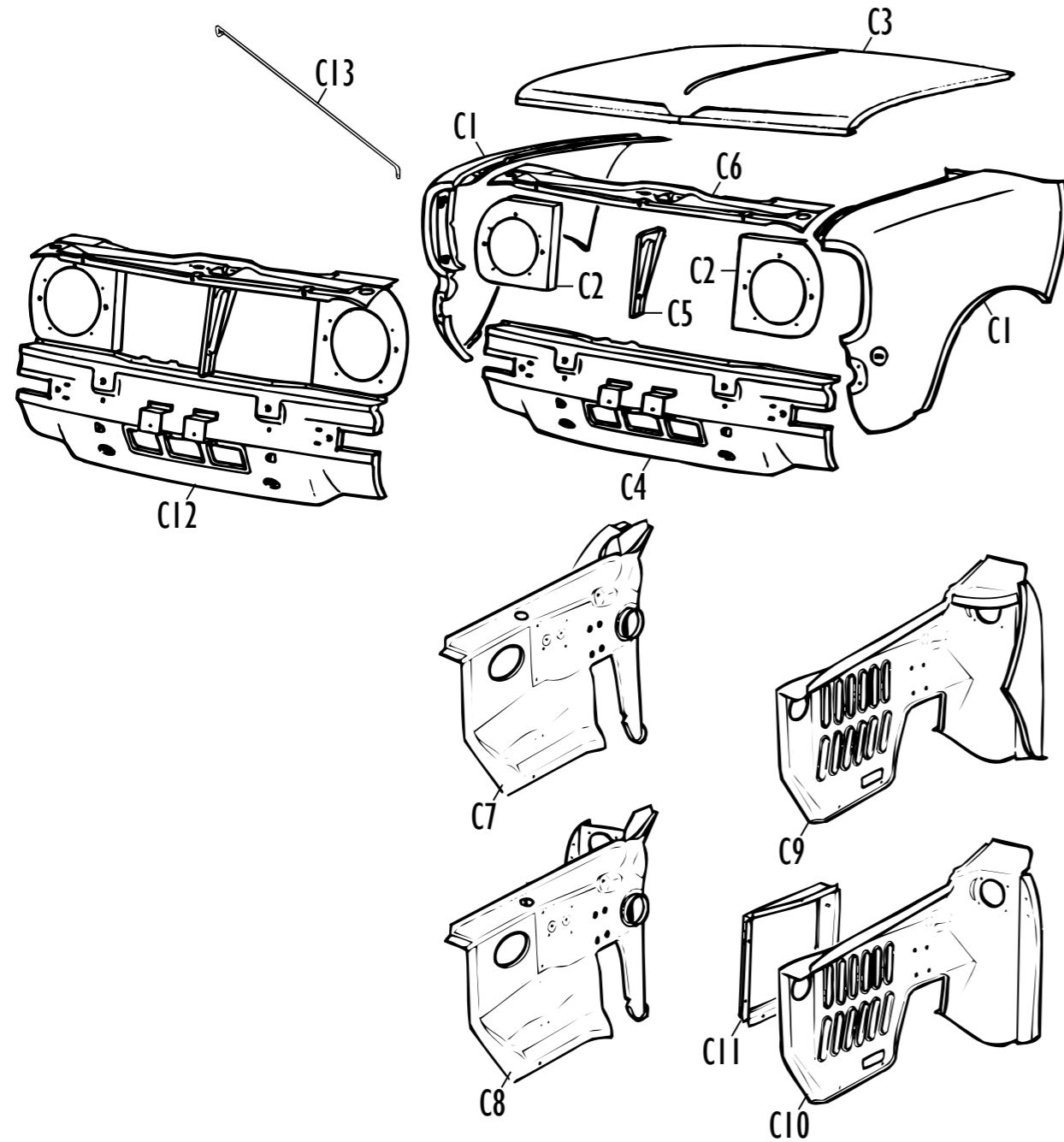


Mini Skin Panels continued

KEY	ITEM CODE	NAME	DESCRIPTION	APPLICATION
S22	14A8348	Gusset	Gusset, A Panel to Inner Wing, RH	Mini & Clubman/1275GT, 1960 on (all models except 1959-60 without inner A panels)
S22	14A8349	Gusset	Gusset, A Panel to Inner Wing, LH	Mini & Clubman/1275GT, 1960 on (all models except 1959-60 without inner A panels)
S23	14A6675	Fascia Rail	Fascia Rail, Upper, 'Ashtray Panel'	Mini & Clubman/1275GT, 1959 on (all models, now features piercings for later model soft trim crash rolls)
S24	28G110	Boot Lid	Boot Lid, Assembly	Mini Saloon, 1959-67 (MkI 'single skin' or 'open frame' boot lid, not Cooper models 1966-67)
S24	BMD36001	Boot Lid	Boot Lid, Assembly	Mini Saloon, 1990 approx. on (uses later type boot lid seal attached to body, not pierced for clips to retain earlier type seal)
S24	BMP339	Boot Lid	Boot Lid, Assembly	Mini Saloon & Clubman/1275GT, 1969-90 approx. (uses earlier type boot lid seal attached to boot lid, features piercings for seal retaining clips)
S25	BMP102	Boot Lid	Boot Lid Outer Panel, 'Skin'	Mini Saloon & Clubman/1275GT, 1969 on (MkIII onwards type bootlid)
S25	HMP441051	Boot Lid	Boot Lid Outer Panel, 'Skin' Aluminium	Mini Saloon & Clubman/1275GT, 1969 on. (MkIII onwards type bootlid).
S26	HMP441022	Back Panel	Back Panel, Assembly	Mini Saloon & Clubman/1275GT, 1967-93 approx. (MkII onwards back panel, not for models with original equipment car alarm 1994 approx. on)
S26	ALA6417	Back Panel	Back Panel, Assembly	Mini Saloon, 1994 approx. on (for models with original equipment car alarm)
S26	HMP441046	Back Panel	Back Panel, Assembly	Mini Saloon, 1960-67 (MkI style panel, only accepts MkII onwards type larger rear window. Not recommended for 1959-60 models with early 'bubble' type rear window)
S27	HMP441019	Back Panel	Back Panel, Assembly	Mini Saloon & Clubman/1275GT, 1967-93 approx. (MkII onwards back panel, requires extra bracket for original equipment car alarm 1994 approx. on)
S28	HMP441009	Back Panel	Back Panel Repair, Lower Edge, Full Width	Mini Saloon & Clubman/1275GT, 1959 on (all)
S29	HMP441063	Back Panel	Back Panel, Assembly, Lower Half	Mini Saloon & Clubman/1275GT, 1967-93 approx. (MkII onwards back panel) - not illustrated
S31	BMP201	Switch Panel	Moulding, Front Parcel Shelf, 'Switch Panel'	Mini & Clubman/1275GT, 1961 on (for models with soft trim parcel shelf moulding cover, not for models with painted, untrimmed moulding)
S33	14A9999	Seam Finisher	Seam Finisher, Front, 'Cover Strip'	Mini & Clubman/1275GT, 1959 on (all)
S34	14A6783	Seam Finisher	Seam Finisher, Rear, RH, 'Cover Strip'	Mini Saloon & Clubman/1275GT, 1959 on (all)
S34	14A6784	Seam Finisher	Seam Finisher, Rear, LH, 'Cover Strip'	Mini Saloon & Clubman/1275GT, 1959 on (all)
S35	14A6782	Seam Finisher	Seam Finisher, Rear, Lower Side, 'Cover Strip'	Mini Saloon & Clubman/1275GT, 1959 on (all, also known as 14A6795)
S36	14A5497	Rear Valance	Rear Valance, Bare, 'Body Rear Lower'	Mini Saloon & Clubman/1275GT, 1964-79 (may be used on earlier models, includes holes for fog lamp mounting weld nuts but not the nuts themselves)
S36	14A6940	Rear Valance	Rear Valance, Bare, 'Body Rear Lower'	Mini Saloon & Clubman/1275GT, 1964-79 (may be used on earlier models, does not include holes for fog lamp mounting weld nuts)
S36	CZH3353	Rear Valance	Rear Valance, Assembly, 'Body Rear Lower'	Mini Saloon & Clubman/1275GT, 1979 on (includes weld nuts for fog lamp mounting)
S37	FPC100130	Safety Catch	Safety Catch Assembly, Bonnet	Mini, 1959 on (all models except Clubman/1275GT, mid-1990s onward version featuring permanently assembled hook, distance piece and spring)
S38	24A857	Prop Rod	Prop Rod, Bonnet	Mini, 1959 on (all external bonnet release models except Clubman/1275GT. Will replace very early MkI split pin & washer fixed prop rod)
S39	ALA7608	Safety Catch	Safety Catch Kit, Bonnet	Mini, 1959-96 (all models with external bonnet release, plus 1993-96 models with internal bonnet release, kit includes hook, spring, distance piece and clevis pin)
S40	CZH0209	Clip	Clip, Bonnet Prop Rod Retaining	Mini, 1969 on (all models except Clubman/1275GT)
S41	14A8456	Bracket	Bracket, Front Number Plate Securing	Mini, 1964 on (wide version of bracket, used on all front panel assemblies with lower corner cut outs, not Clubman/1275GT)
S42	HMP441030	Hinge Kit	Hinge Kit, Door	Mini & Clubman/1275GT, 1969 on (four hinges, for both doors, internal hinge type doors, not van/pick up)
S43	HMP441031	Hinge Set	Hinge Set, Boot Lid, Pair	Mini, 1990 on (to 1990 onwards style, smooth profile, will fit all previous Mini saloon models)



Mini Clubman Specific Panels

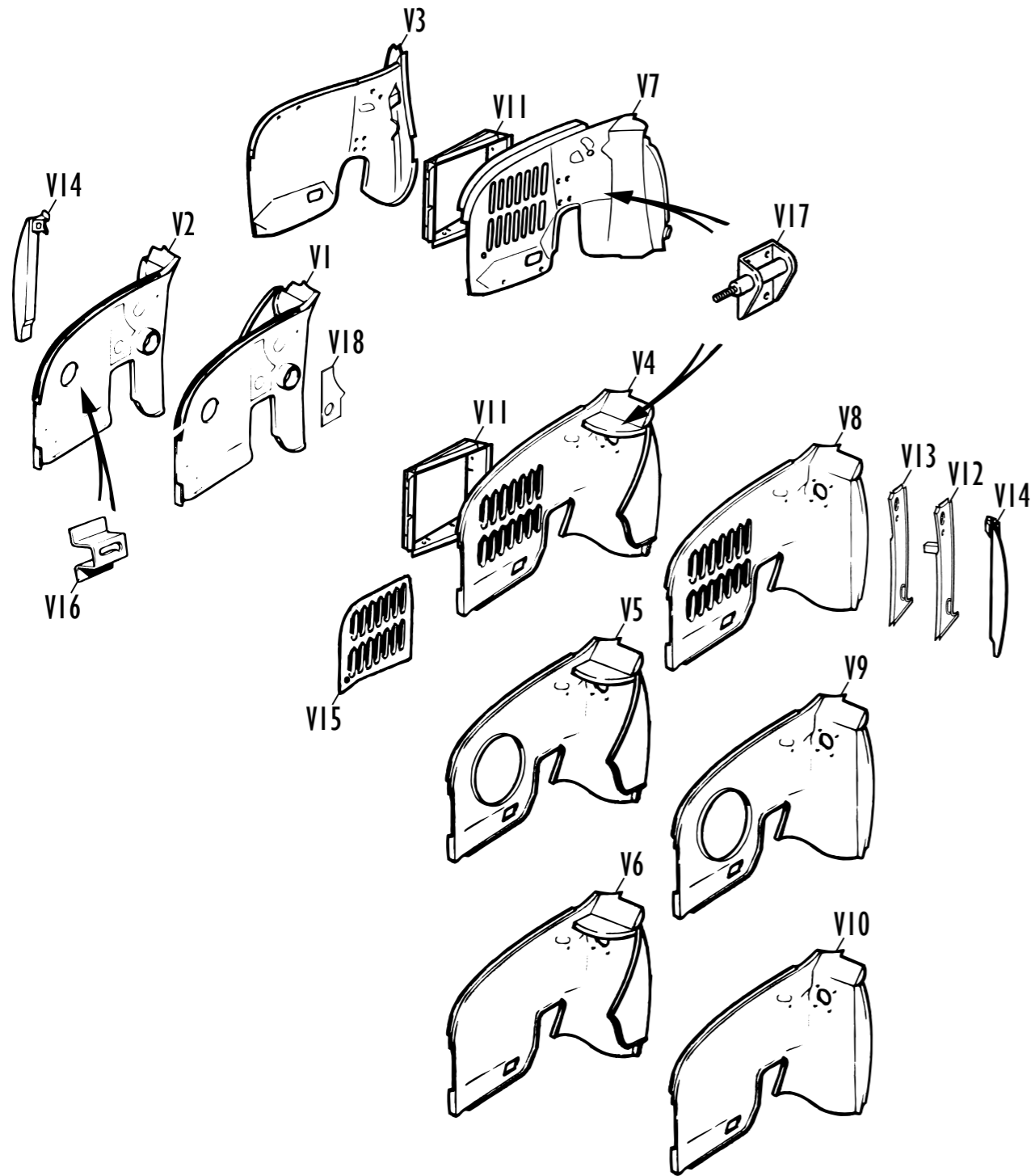


Mini Clubman Specific Panels

KEY	ITEM CODE	NAME	DESCRIPTION	APPLICATION
C1	CZH408	Wing	Wing, Front, Assembly, RH	Clubman/1275GT, 1969-80 (all)
C1	CZH409	Wing	Wing, Front, Assembly, LH	Clubman/1275GT, 1969-80 (all)
C2	CZH120	Mounting Panel	Mounting Panel, Headlamp, RH	Clubman/1275GT, 1969-80 (all)
C2	CZH121	Mounting Panel	Mounting Panel, Headlamp, LH	Clubman/1275GT, 1969-80 (all)
C3	CZH2609	Bonnet	Bonnet, Assembly	Clubman/1275GT, 1970-80 (all except 1969-70 models with inboard hinge positions, will require modification to fit 1969-70 models)
C4	CZH563	Front Lower	Front Valance, Assembly, 'Body Front Lower'	Clubman/1275GT, 1969-75 (all models with solid mounted front subframe. Also known as 'Front Panel Lower')
C4	AAM1022	Front Lower	Front Valance, Assembly, 'Body Front Lower'	Clubman/1275GT, 1976-80 (all models with rubber mounted front subframe. Also known as 'Front Panel Lower')
C5	CZH155	Support	Support, Bonnet Locking Platform	Clubman/1275GT, 1969-80 (all)
C6	CZH149	Platform	Platform, Bonnet Locking	Clubman/1275GT, 1969-80 (all)
C7	CZH410	Valance	Inner Wing Complete Assembly, RH, 'Valance'	Clubman/1275GT, 1969-80 (all, RH inner wing assembly, with A panel)
C8	CZH414	Valance	Inner Wing Assembly, RH, 'Valance'	Clubman/1275GT, 1969-80 (all, RH inner wing assembly, without A panel)
C9	CZH567	Valance	Inner Wing Complete Assembly, LH, 'Valance'	Clubman/1275GT, 1969-80 (all, LH inner wing assembly, with A panel)
C10	CZH569	Valance	Inner Wing Assembly, LH, 'Valance'	Clubman/1275GT, 1969-80 (all, LH inner wing assembly, without A panel)
C11	CZH570	Cowling	Cowling, Radiator, Assembly	Clubman/1275GT, 1969-80 (all)
C12	HMP441039	Front Panel	Front Panel Complete Assembly	Clubman/1275GT, 1969-75 (all models with solid mounted front subframe. Also known as 'Grille Complete Assembly')
C12	HMP441040	Front Panel	Front Panel Complete Assembly	Clubman/1275GT, 1976-80 (all models with rubber mounted front subframe. Also known as 'Grille Complete Assembly')
C13	HMP441045	Prop Rod	Prop Rod, Bonnet	Clubman/1275GT, 1969-80 (all)
C14	14A6738	Plate Guss Assy	Plate Guss Assy, X Mem-Dash RH	Not illustrated
C14	14A6739	Plate Guss Assy	Plate Guss Assy, X Mem-Dash LH	Not illustrated



Mini Valances (Not Clubman)

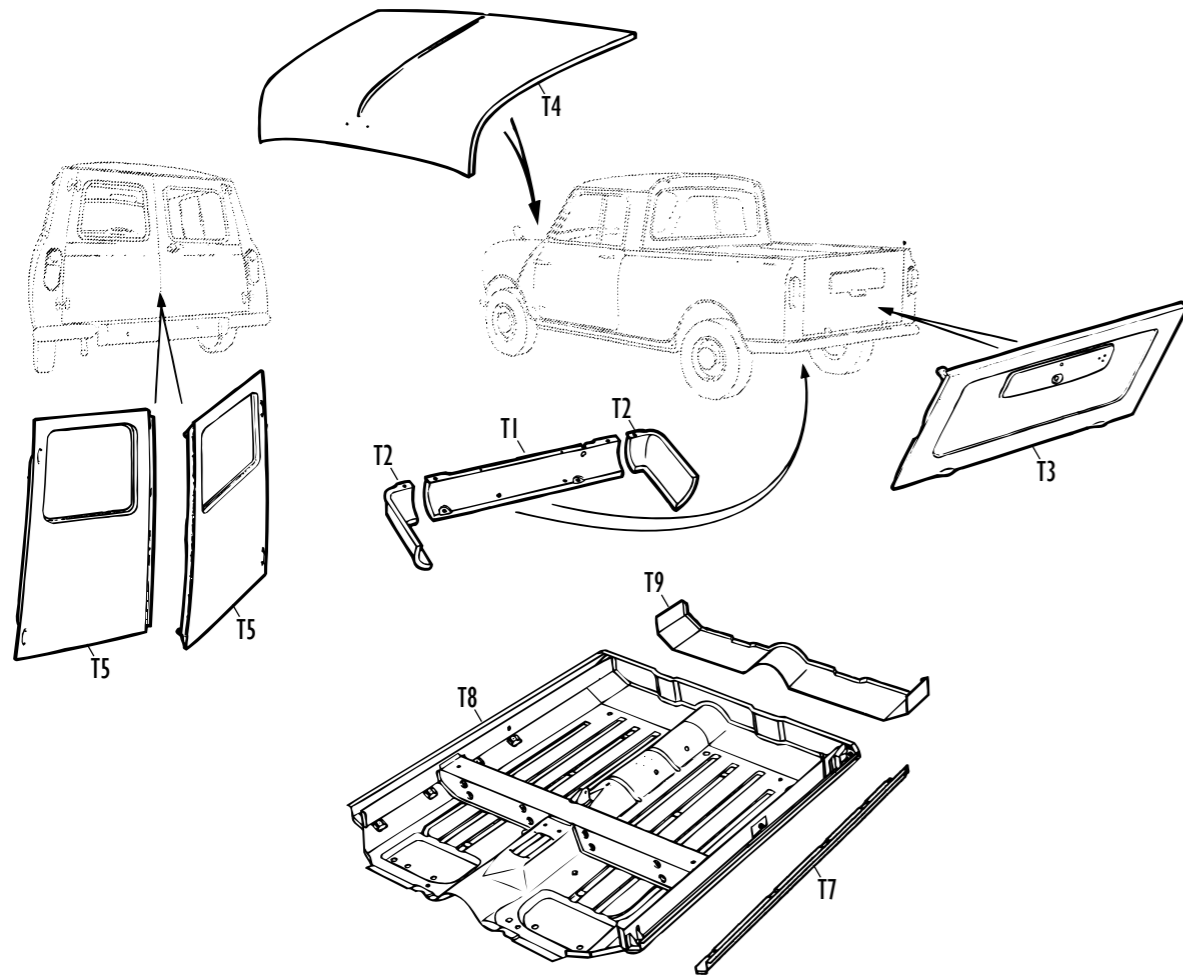


Mini Valances (Not Clubman) continued

KEY	ITEM CODE	NAME	DESCRIPTION	APPLICATION
V1	ABD36004	Valance	Inner Wing Complete Assembly, RH, 'Valance'	Mini Saloon, 1969 on (all models except Clubman/1275GT, with A panel, features 1997 onwards brackets that may need moving/removing according to vehicle spec.)
V2	ABD36006	Valance	Inner Wing Assembly, RH, 'Valance'	Mini Saloon, 1969 on (all models except Clubman/1275GT, without A panel, features 1997 onwards brackets that may need moving/removing according to vehicle spec.)
V3	14A7900	Valance	Inner Wing Assembly, RH, 'Valance'	Mini, 1960-84 (saloon & traveller 1960-69, van/pick up 1960-84, Elf/Hornet 1961-66, without inner A panel, requires modification for 1959-60 saloons)
V4	ALA6279	Valance	Inner Wing Complete Assembly, LH, 'Valance'	Mini Saloon, 1969-89 (all models except Clubman/1275GT, features radiator cooling slats, with A panel)
V5	ABD36005	Valance	Inner Wing Complete Assembly, LH, 'Valance'	Mini Saloon, 1990 on (with radiator cooling round hole, with A panel. Japan only 1997 on)
V6	ABD360200	Valance	Inner Wing Complete Assembly, LH, 'Valance'	Mini Saloon, 1997 on (blank inner wing, without radiator cooling slats or round hole, with A panel. Not Japan 1997 on)
V7	14A7901	Valance	Inner Wing Assembly, LH, 'Valance'	Mini, 1960-84 (saloon & traveller 1960-69, van/pick up 1960-84, Elf/Hornet 1961-66, without inner A panel, requires modification for 1959-60 saloons)
V8	ALA6271	Valance	Inner Wing Assembly, LH, 'Valance'	Mini Saloon, 1969-89 (all models except Clubman/1275GT, features radiator cooling slats, without A panel. Also known as ALA6475)
V9	ABD36007	Valance	Inner Wing Assembly, LH, 'Valance'	Mini Saloon, 1990 on (with radiator cooling round hole, without A panel. All models 1990-96, Japan only 1997 on)
V10	ABD360180	Valance	Inner Wing Assembly, LH, 'Valance'	Mini Saloon, 1997 on (blank inner wing, without radiator cooling slats or round hole, without A panel. Also known as ABD360190. Not Japan 1997 on)
V11	14A6498	Cowling	Cowling, Radiator, Assembly	Mini, 1959-71 (all models except Cooper S 1959-70 approx., Cooper S only 1963-71, not Clubman/1275GT)
V12	ALA5686	Boxing Plate	Boxing Plate, A Post, Lower, Assembly, RH	Mini & Clubman/1275GT, 1969 on (models with internal door hinges, includes fascia shelf bracket)
V12	ALA5687	Boxing Plate	Boxing Plate, A Post, Lower, Assembly, LH	Mini & Clubman/1275GT, 1969 on (models with internal door hinges, includes fascia shelf bracket)
V12	14A6683	Boxing Plate	Boxing Plate RH MK1	Mini Saloon & Traveller, 1959-69 (external hinge type door - not Elf MkIII and Hornet MkIII), Van/Pick Up, 1960-84 (all)
V12	14A6684	Boxing Plate	Boxing Plate LH MK1	Mini Saloon & Traveller, 1959-69 (external hinge type door - not Elf MkIII and Hornet MkIII), Van/Pick Up, 1960-84 (all)
V13	ALA5688	Boxing Plate	Boxing Plate, A Post, Lower, RH	Mini & Clubman/1275GT, 1969 on (models with internal door hinges, does not include fascia shelf bracket)
V13	ALA5689	Boxing Plate	Boxing Plate, A Post, Lower, LH	Mini & Clubman/1275GT, 1969 on (models with internal door hinges, does not include fascia shelf bracket)
V14	ALA6472	Stiffener	Stiffener, A Post, Assembly, RH	Mini & Clubman/1275GT, 1969 on (models with internal door hinges)
V14	ALA6473	Stiffener	Stiffener, A Post, Assembly, LH	Mini & Clubman/1275GT, 1969 on (models with internal door hinges)
V15	HMP441023	Conversion Panel	Inner Wing Conversion, LH, 'Radiator Slots Panel'	Mini, 1959-89 (all models except Clubman/1275GT, may be used to convert later inner wings to pre-1990 radiator slots spec.)
V16	14A7806	Bracket	Bracket, Bonnet Prop, Inner Wing	Mini, 1959-96 (all models except Clubman/1275GT)
V16	ASU360120	Bracket	Bracket, Bonnet Prop, Inner Wing	Mini, 1997 on (all models)
V17	21A471	Bracket	Bracket, Front Shock Absorber Mounting, RH	Mini & Clubman/1275GT, 1959 on (all except models with Hydrolastic suspension)
V17	21A474	Bracket	Bracket, Front Shock Absorber Mounting, LH	Mini & Clubman/1275GT, 1959 on (all except models with Hydrolastic suspension)
V18	ALA7978	Reinforcement	Reinforcement, Shock Absorber Bracket to Inner Wing, RH	Mini & Clubman/1275GT, 1969 on (models with internal door hinges)
V18	ALA7979	Reinforcement	Reinforcement, Shock Absorber Bracket to Inner Wing, LH	Mini & Clubman/1275GT, 1969 on (models with internal door hinges)



Mini Traveller Van Pick Up Specific-Panels



KEY	ITEM CODE	NAME	DESCRIPTION	APPLICATION
T1	14A8154	Apron Panel	Rear Apron Panel, Centre, 'Rear Valance'	Mini Traveller, Clubman Estate, Van/Pick Up, 1960-84 (includes weld nuts for fog lamp mounting. Also known as 'body rear lower')
T2	14A6908	Apron Panel	Rear Apron Panel, Corner, RH, 'Rear Valance Side'	Mini Traveller, Clubman Estate, Van/Pick Up, 1960-84 (Also known as 'body rear lower side')
T2	14A6909	Apron Panel	Rear Apron Panel, Corner, LH, 'Rear Valance Side'	Mini Traveller, Clubman Estate, Van/Pick Up, 1960-84 (Also known as 'body rear lower side')
T3	CZH3293	Tailgate	Tailgate, Assembly, 'Tailboard'	Mini Pick Up, 1961 on (all)
T4	ALA8430	Bonnet	Bonnet, Assembly	Mini Van/Pick Up, 1970-84 (all models with inboard bonnet hinges from 1970 onwards)
T5	14A8096	Door	Rear Door Assembly, RH	Mini Traveller, Clubman Estate, Van, 1960-84 (all models)
T5	14A8097	Door	Rear Door Assembly, LH	Mini Traveller, Clubman Estate, Van, 1960-84 (all models)
T7	14A9026	Sill	Sill Outer, RH	Mini Clubman Estate, Van/Pick Up, 1971 on (features 6 flutes, may be fitted to earlier models)
T7	14A9027	Sill	Sill Outer, LH	Mini Clubman Estate, Van/Pick Up, 1971 on (features 6 flutes, may be fitted to earlier models)
T8	CZH2672	Floor	Floor, Main, Full Width, Assembly	Mini Clubman/1275GT, Van/Pick Up, 1973 on (Clubman Estate 1973 on, Van/Pick Up 1976 on, rod change gearbox, 1991 style floor ribs)
T9	14A9023	Floor	Rear Extension, Main Floor, Full Width	Mini Traveller, Clubman Estate, Van/Pick Up, 1960-84 (all models)

Mini Cabriolet Parts (while stocks last)

ITEM CODE	NAME	DESCRIPTION	APPLICATION
ALH360020	Rear Quarter Panel	Rear Quarter Panel, RH	Mini, 1993-96 (Rover Mini Cabriolet)
ALH360030	Rear Quarter Panel	Rear Quarter Panel, LH	Mini, 1993-96 (Rover Mini Cabriolet)
ALR360240	Reinforcement Assembly	Reinforcement Assembly, Windscreen Pillar, RH	Mini, 1993-96 (Rover Mini Cabriolet)
ALR360250	Reinforcement Assembly	Reinforcement Assembly, Windscreen Pillar, LH	Mini, 1993-96 (Rover Mini Cabriolet)
ALY100100	Reinforcement	Reinforcement, B Post, RH	Mini, 1993-96 (Rover Mini Cabriolet)
ALY100110	Reinforcement	Reinforcement, B Post, LH	Mini, 1993-96 (Rover Mini Cabriolet)
DDF10052	Finisher	Finisher, Lower Outer, Rear Quarter Glass	Mini, 1993-96 (Rover Mini Cabriolet)
DDL100240	Finisher	Finisher, Cover, Door Seal, Rear	Mini, 1993-96 (Rover Mini Cabriolet)
DDR100340	End Cap	End Cap, Glass Channel, Door, RH	Mini, 1993-96 (Rover Mini Cabriolet)
DDR100350	End Cap	End Cap, Glass Channel, Door, LH	Mini, 1993-96 (Rover Mini Cabriolet)
DFJ10009C0Q	Flare	Flare, Front Wheelarch, LH, Nightfire Red	Mini, 1993-96 (Rover Mini Cabriolet)
DFJ10009UME	Flare	Flare, Front Wheelarch, LH, Caribbean Blue	Mini, 1993-96 (Rover Mini Cabriolet)
DFK10032C0Q	Flare	Flare, Rear Wheelarch, RH, Nightfire Red	Mini, 1993-96 (Rover Mini Cabriolet)
DFK10032HAM	Flare	Flare, Rear Wheelarch, RH, British Racing Green 2	Mini, 1993-96 (Rover Mini Cabriolet)
DFQ10050UME	Extension	Extension, Sill Front, RH, Caribbean Blue	Mini, 1993-96 (Rover Mini Cabriolet)
DFQ10051C0Q	Extension	Extension, Sill Front, RH, Nightfire Red	Mini, 1993-96 (Rover Mini Cabriolet)
DFQ10054HAM	Extension	Extension, Sill Rear, RH, British Racing Green 2	Mini, 1993-96 (Rover Mini Cabriolet)
DHB10004LP	Finisher	Finisher, Grille Surround, RH, Nimbus Grey	Mini, 1988 (Mini Designer aka 'Mary Quant' limited edition)
DJC10003	Striker Plate	Striker Plate, Hood Header Rail to Windscreen	Mini, 1993-96 (Rover Mini Cabriolet)
DJQ100070	Cable	Cable, Hood Tensioning, Hood Frame Side	Mini, 1993-96 (Rover Mini Cabriolet)
DJW100070	Tensioner Assembly	Tensioner Assembly, Hood, Hood Frame Side	Mini, 1993-96 (Rover Mini Cabriolet)
DJW100080	Spring	Spring, Rear Hood Frame Link, RH	Mini, 1993-96 (Rover Mini Cabriolet)
DJX100150LPT	Hood Cover Assembly	Hood Cover Assembly, Grey Fabric	Mini, 1993-96 (Rover Mini Cabriolet)
DPB10210HAM	Bumper Assembly	Bumper Assembly, Front, RH, British Racing Green 2	Mini, 1993-96 (Rover Mini Cabriolet)
DQB10165HAM	Bumper Assembly	Bumper Assembly, Rear, LH, British Racing Green 2	Mini, 1993-96 (Rover Mini Cabriolet)
DQB10165UME	Bumper Assembly	Bumper Assembly, Rear, LH, Caribbean Blue	Mini, 1993-96 (Rover Mini Cabriolet)
DSD10025CPE	Tonneau Cover	Tonneau Cover, Hood and Frame, Red Fabric, Early Style	Mini, 1993-94 (Rover Mini Cabriolet)
DSD100340CPE	Tonneau Cover	Tonneau Cover, Hood and Frame, Red Fabric, Late Style	Mini, 1995-96 (Rover Mini Cabriolet)
DSF10033PMA	Seal	Seal, Hood to Back Panel ('Rear Deck'), Black	Mini, 1993-96 (Rover Mini Cabriolet)
DSF100760PMA	Seal	Seal, Hood Cantrail Side, Front, Black	Mini, 1993-96 (Rover Mini Cabriolet)
DSF100780PMA	Seal	Seal, Hood Header Rail to Windscreen, Black	Mini, 1993-96 (Rover Mini Cabriolet)
DSF100810PMA	Seal	Seal, Hood to Rear Quarter Light, LH, Black	Mini, 1993-96 (Rover Mini Cabriolet)



Mini Cabriolet Parts (while stocks last) Continued

ITEM CODE	NAME	DESCRIPTION	APPLICATION
DSF100820PMA	Seal	Seal, Hood Cantrail Side, Rear, RH, Black	Mini, 1993-96 (Rover Mini Cabriolet)
DSZ100050	Spacer	Spacer, Header Rail Catch Lever Retainer	Mini, 1993-96 (Rover Mini Cabriolet)
DUT100010	Screw	Screw, Header Rail Striker Plate to Windscreen	Mini, 1993-96 (Rover Mini Cabriolet)
DVU100090	Bracket	Bracket, Sill Extension to Body	Mini, 1993-96 (Rover Mini Cabriolet)
DXW100120	Catch Assembly	Catch Assembly, Header Rail to Windscreen Striker Plate	Mini, 1993-96 (Rover Mini Cabriolet)
DYF100600	Washer	Washer, Plain, Header Rail Striker Screw	Mini, 1993-96 (Rover Mini Cabriolet)
DYF100610	Washer	Washer, Locking, Header Rail Striker Screw	Mini, 1993-96 (Rover Mini Cabriolet)
DYG10042	Bolt	Bolt, Hood Frame Assembly Attaching	Mini, 1991-93 (Lamm Mini Cabriolet)

MGB and MGB GT

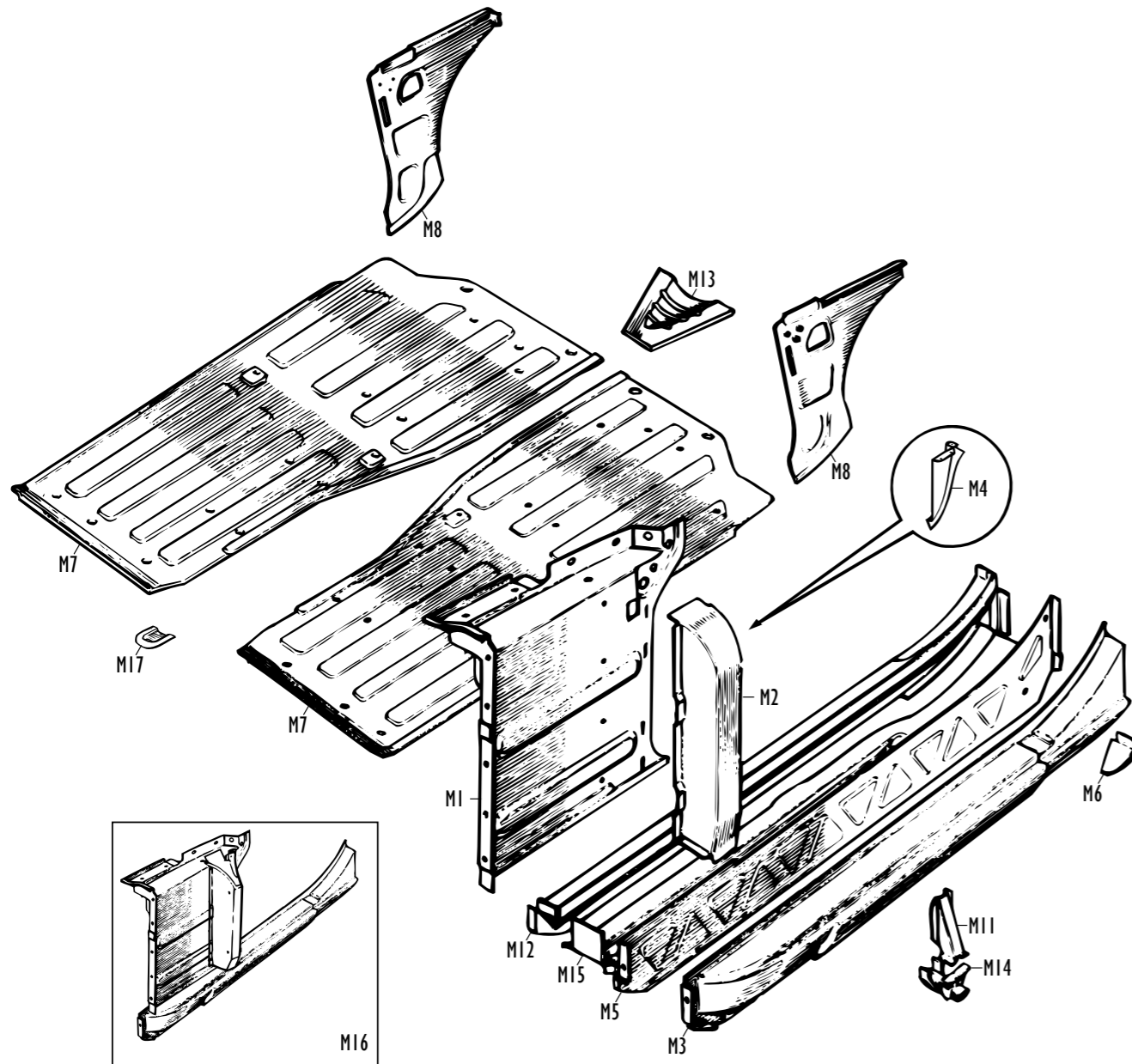


British Motor Heritage manufacture a wide range of products for the MGB and MGB GT, from the smallest panel to a complete bodyshell, a petrol tank to badges and trim. The Heritage brand is synonymous the world over with quality and originality. MGB and MGB GT

owners choose Heritage parts not only to ensure the originality of their motor cars, but also to have the assurance of original equipment quality, particularly in safety critical areas.



MGB Centre Body

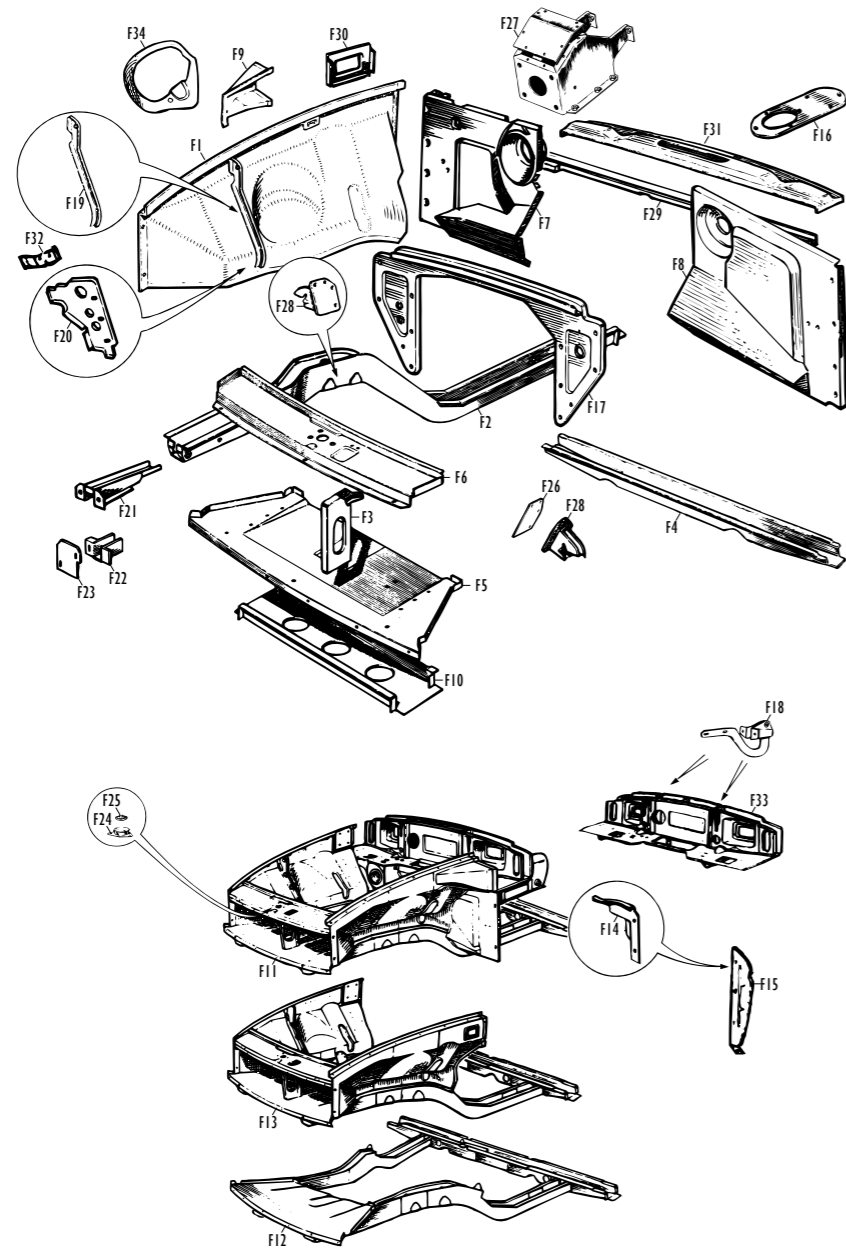


MGB Centre Body continued

KEY	ITEM CODE	NAME	DESCRIPTION	APPLICATION
M1	HZA403	Dash Side	Dash Side, Outer, Assembly, RH	MGB Roadster, 1962 on (all)
M1	HZA404	Dash Side	Dash Side, Outer, Assembly, LH	MGB Roadster, 1962 on (all)
M2	HZA3873	A Post	A Post, Assembly, LH	MGB Roadster, 1967 on (North America only)
M2	HZA442	A Post	A Post, Assembly, RH	MGB Roadster, 1962-74 (chrome bumper)
M2	HZA443	A Post	A Post, Assembly, LH	MGB Roadster, 1962-74 (chrome bumper, not North America), MGB Roadster, 1962-67 (chrome bumper, North America only)
M2	HZA5212	A Post	A Post, Assembly, RH	MGB Roadster, 1974 on (rubber bumper)
M2	HZA5213	A Post	A Post, Assembly, LH	MGB Roadster, 1974 on (rubber bumper, not North America)
M3	HZA496	Sill	Sill, Outer, Assembly, RH	MGB & GT, 1962 on (all)
M3	HZA497	Sill	Sill, Outer, Assembly, LH	MGB & GT, 1962 on (all)
M4	BMH9508	Cover	Cover, Windscreen Frame Leg, RH	MGB Roadster, 1962 on (all)
M4	BMH9509	Cover	Cover, Windscreen Frame Leg, LH	MGB Roadster, 1962 on (all)
M5	HZA188	Sill	Sill, Inner, RH	MGB & GT, 1962 on (all)
M5	HZA189	Sill	Sill, Inner, LH	MGB & GT, 1962 on (all)
M6	HZA260	Closing Panel	Closing Panel, Outer Sill to Inner Sill, Rear, RH	MGB & GT, 1962 on (all)
M6	HZA261	Closing Panel	Closing Panel, Outer Sill to Inner Sill, Rear, LH	MGB & GT, 1962 on (all)
M7	HZA628	Floor	Floor, Main, Assembly, RH	MGB & GT, 1967 on (4 synchro)
M7	HZA629	Floor	Floor, Main, Assembly, LH	MGB & GT, 1967 on (4 synchro)
M8	HZA586	Quarter Panel	Quarter Panel, Rear, Inner, Assembly, RH	MGB Roadster, 1962 on (all)
M8	HZA587	Quarter Panel	Quarter Panel, Rear, Inner, Assembly, LH	MGB Roadster, 1962 on (all)
M11	HZA231	Reinforcement	Reinforcement, Jacking Point	MGB & GT, 1962 on (all)
M12	HZA236	Sidemember	Sidemember, Inner, RH, 'Inner Step'	MGB & GT, 1962 on (all)
M12	HZA237	Sidemember	Sidemember, Inner, LH, 'Inner Step'	MGB & GT, 1962 on (all)
M13	HZA283	Bracing Plate	Bracing Plate, Heelboard	MGB & GT, 1962-74 (chrome bumper, not V8)
M13	HZA5019	Bracing Plate	Bracing Plate, Heelboard	MGB & GT, 1974 on (rubber bumper), MGB GT V8, 1972-76 (all)
M14	HZA492	Bracket	Bracket, Jacking Point, Assembly	MGB & GT, 1962 on (all)
M15	HZA238	Sidemember	Sidemember, Bottom, RH, 'Castle Section'	MGB & GT, 1962 on (all)
M15	HZA239	Sidemember	Sidemember, Bottom, LH, 'Castle Section'	MGB & GT, 1962 on (all)
M16	HZA5216	Dash Side	Dash Side, With A Post & Outer Sill, Assembly, RH	MGB Roadster, 1974 on (rubber bumper)
M16	HZA5217	Dash Side	Dash Side, With A Post & Outer Sill, Assembly, LH	MGB Roadster, 1974 on (rubber bumper)
M16	HZA688	Dash Side	Dash Side, With A Post & Outer Sill, Assembly, RH	MGB Roadster, 1962-74 (chrome bumper)
M16	HZA689	Dash Side	Dash Side, With A Post & Outer Sill, Assembly, LH	MGB Roadster, 1962-74 (chrome bumper)
M17	HZA195	Cover Plate	Cover Plate, Main Floor Drain	MGB & GT, 1962 on (all)



MGB Front Body



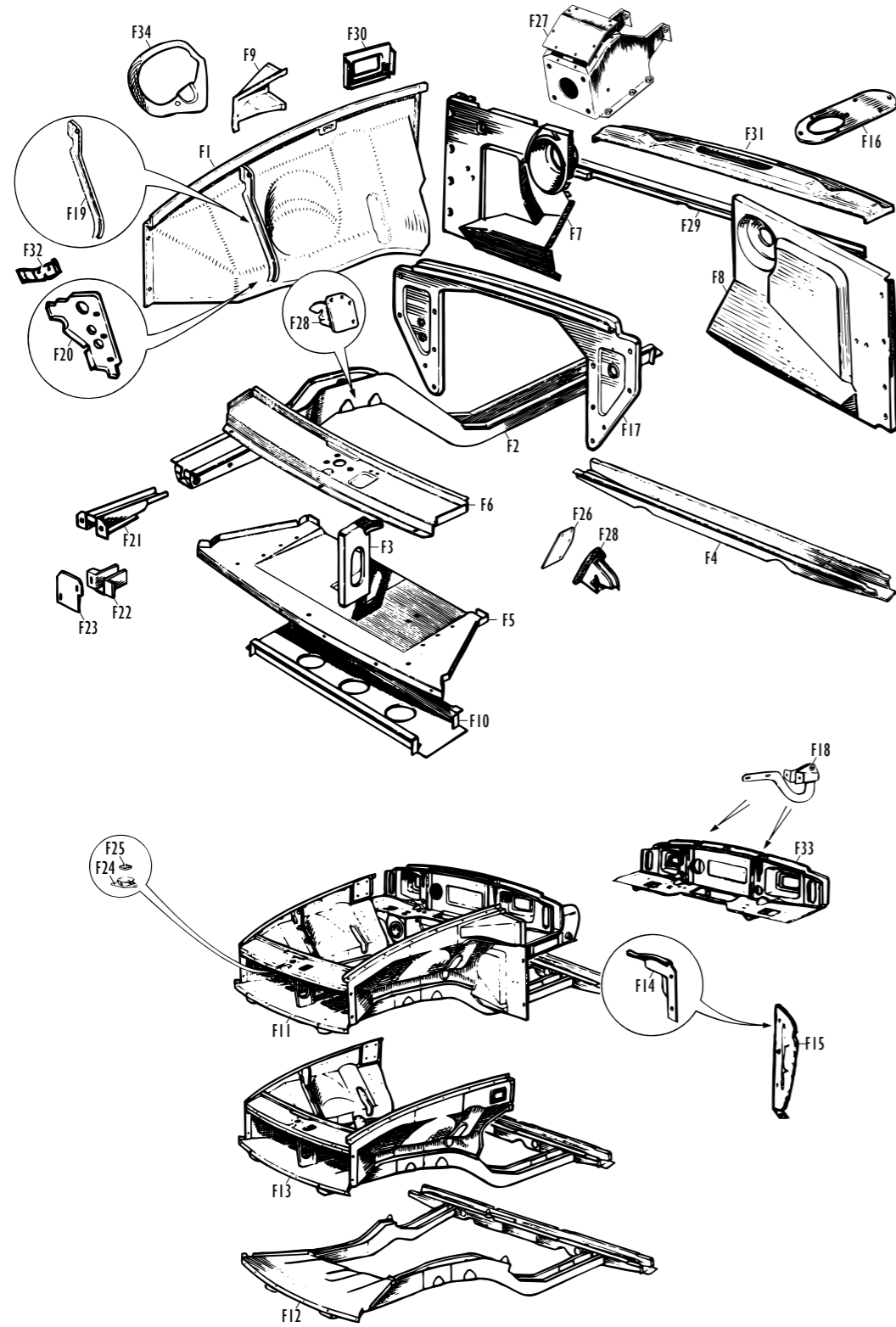
KEY	ITEM CODE	NAME	DESCRIPTION	APPLICATION
F1	HZA4192	Wheelarch	Wheelarch, Front, Assembly, RH	MGB & GT, 1962-76 (mechanical radiator fan)
F1	HZA4193	Wheelarch	Wheelarch, Front, Assembly, LH	MGB & GT, 1962-76 (mechanical radiator fan)
F1	HZA5346	Wheelarch	Wheelarch, Front, Assembly, RH	MGB & GT, 1976 on (electric radiator fan)
F1	HZA5347	Wheelarch	Wheelarch, Front, Assembly, LH	MGB & GT, 1976 on (electric radiator fan)
F1	HMP413002	Wheelarch	Wheelarch Repair Section RH	MGB & GT, 1976 on (electric radiator fan) - not illustrated
F1	HMP413003	Wheelarch	Wheelarch Repair Section LH	MGB & GT, 1976 on (electric radiator fan) - not illustrated
F2	HZA438	Sidemember	Sidemember, Front, Assembly, RH	MGB & GT, 1962-74 (chrome bumper, not V8)
F2	HZA439	Sidemember	Sidemember, Front, Assembly, LH	MGB & GT, 1962-74 (chrome bumper, not V8)
F2	HZA4966	Sidemember	Sidemember, Front, Assembly, RH	MGB & GT, 1974 on (rubber bumper, not V8)

MGB Front Body continued

KEY	ITEM CODE	NAME	DESCRIPTION	APPLICATION
F2	HZA4967	Sidemember	Sidemember, Front, Assembly, LH	MGB & GT, 1974 on (rubber bumper, not V8)
F3	HZA461	Reinforcement	Reinforcement, Bonnet Locking Platform	MGB & GT, 1962-74 (chrome bumper, not V8)
F3	HZA4618	Reinforcement	Reinforcement, Bonnet Locking Platform	MGB & GT, 1974 on (rubber bumper), MGB GT V8, 1972-76 (all)
F4	HZA464	Crossmember	Crossmember, Centre, Full Width	MGB & GT, 1962 on (all)
F4	HZA464H	Crossmember	Crossmember, Centre, Half Width, Repair	MGB & GT, 1962 on (all)
F5	HZA4604	Duct	Duct, Radiator, Lower	MGB GT V8, 1972-74 (chrome bumper)
F5	HZA465	Duct	Duct, Radiator, Lower	MGB & GT, 1962-74 (chrome bumper, not V8)
F5	HZA4851	Duct	Duct, Radiator, Lower	MGB & GT, 1974 on (rubber bumper), MGB GT V8, 1974-76 (rubber bumper)
F6	HZA388	Platform	Platform, Bonnet Locking	MGB & GT, 1962-74 (chrome bumper, not V8)
F6	HZA4617	Platform	Platform, Bonnet Locking	MGB & GT, 1974 on (rubber bumper), MGB GT V8, 1972-76 (all)
F7	HZA4171	Pedal Box	Pedal Box Front, Assembly, RH	MGB & GT, 1967 on (North America only)
F7	HZA5335	Pedal Box	Pedal Box Front, Assembly, RH	MGB & GT, 1974 on (rubber bumper, not North America), MGB GT V8, 1974-76 (rubber bumper)
F7	HZA624	Pedal Box	Pedal Box Front, Assembly, RH	MGB & GT, 1962-74 (chrome bumper, not North America 1967-74, not V8)
F8	HZA3507	Pedal Box	Pedal Box Front, Assembly, LH	MGB & GT, 1967-74 (chrome bumper, North America only)
F8	HZA4607	Pedal Box	Pedal Box Front, Assembly, LH	MGB & GT, 1974 on (rubber bumper, not North America), MGB GT V8, 1974-76 (rubber bumper)
F8	HZA4671	Pedal Box	Pedal Box Front, Assembly, LH	MGB & GT, 1974 on (rubber bumper, North America only)
F8	HZA703	Pedal Box	Pedal Box Front, Assembly, LH	MGB & GT, 1962-74 (chrome bumper, not North America 1967-74, not V8)
F9	HZA5320	Reinforcement	Reinforcement, Wheelarch to Pedal Box, RH, Long Type	MGB & GT, 1962 on (all; N.B. not original spec. 1962-75)
F9	HZA5321	Reinforcement	Reinforcement, Wheelarch to Pedal Box, LH, Long Type	MGB & GT, 1962 on (all; N.B. not original spec. 1962-75)
F10	HZA171	Crossmember	Crossmember, Front ('duct support')	MGB & GT, 1962-74 (chrome bumper, not V8)
F10	HZA4858	Crossmember	Crossmember, Front ('duct support')	MGB & GT, 1974 on (rubber bumper), MGB GT V8, 1974-76 (rubber bumper)
F11	HZA4051	Underframe	Underframe, Front, Complete Assembly	MGB & GT, 1967-74 (RHD/LHD, 4 synchro, chrome bumper, not North America, not V8)
F11	HZA4175	Underframe	Underframe, Front, Complete Assembly	MGB & GT, 1967-74 (LHD, 4 synchro, chrome bumper, North America only)
F11	HZA5537	Underframe	Underframe, Front, Complete Assembly	MGB GT, 1978 on (RHD, rubber bumper, dual line brakes)
F12	BMH4000	Underframe	Underframe, Front, Chassis Frame Only	MGB & GT, 1962-74 (chrome bumper, not V8)
F12	BMH4001	Underframe	Underframe, Front, Chassis Frame Only	MGB & GT, 1974 on (rubber bumper), MGB GT V8, 1974-76 (rubber bumper)
F13	BMH4002	Underframe	Underframe, Front, Chassis Frame & Wheelarches	MGB & GT, 1962-74 (chrome bumper, not V8)
F13	BMH4003	Underframe	Underframe, Front, Chassis Frame & Wheelarches	MGB & GT, 1974 on (rubber bumper, not V8 but will fit with modification)
F13	HZA4690	Underframe	Underframe, Front, Chassis Frame & Wheelarches	MGB GT V8, 1972-74 (chrome bumper)
F14	HZA302	Extension	Extension, Upper, Splash Shield Mounting Flange, RH	MGB & GT, 1962 on (all)
F14	HZA303	Extension	Extension, Upper, Splash Shield Mounting Flange, LH	MGB & GT, 1962 on (all)
F15	BHH504	Shield	Splash Shield, RH, Painted Finish	MGB & GT, 1962-70
F15	HZA4304P	Shield	Splash Shield, RH, Painted Finish	MGB & GT, 1970 on (will fit earlier models)
F15	HZA4304SE	Shield	Splash Shield, RH, Powder Coated Finish	MGB & GT, 1970 on (will fit earlier models)
F15	BHH505	Shield	Splash Shield, LH, Painted Finish	MGB & GT, 1962-70



MGB Front Body

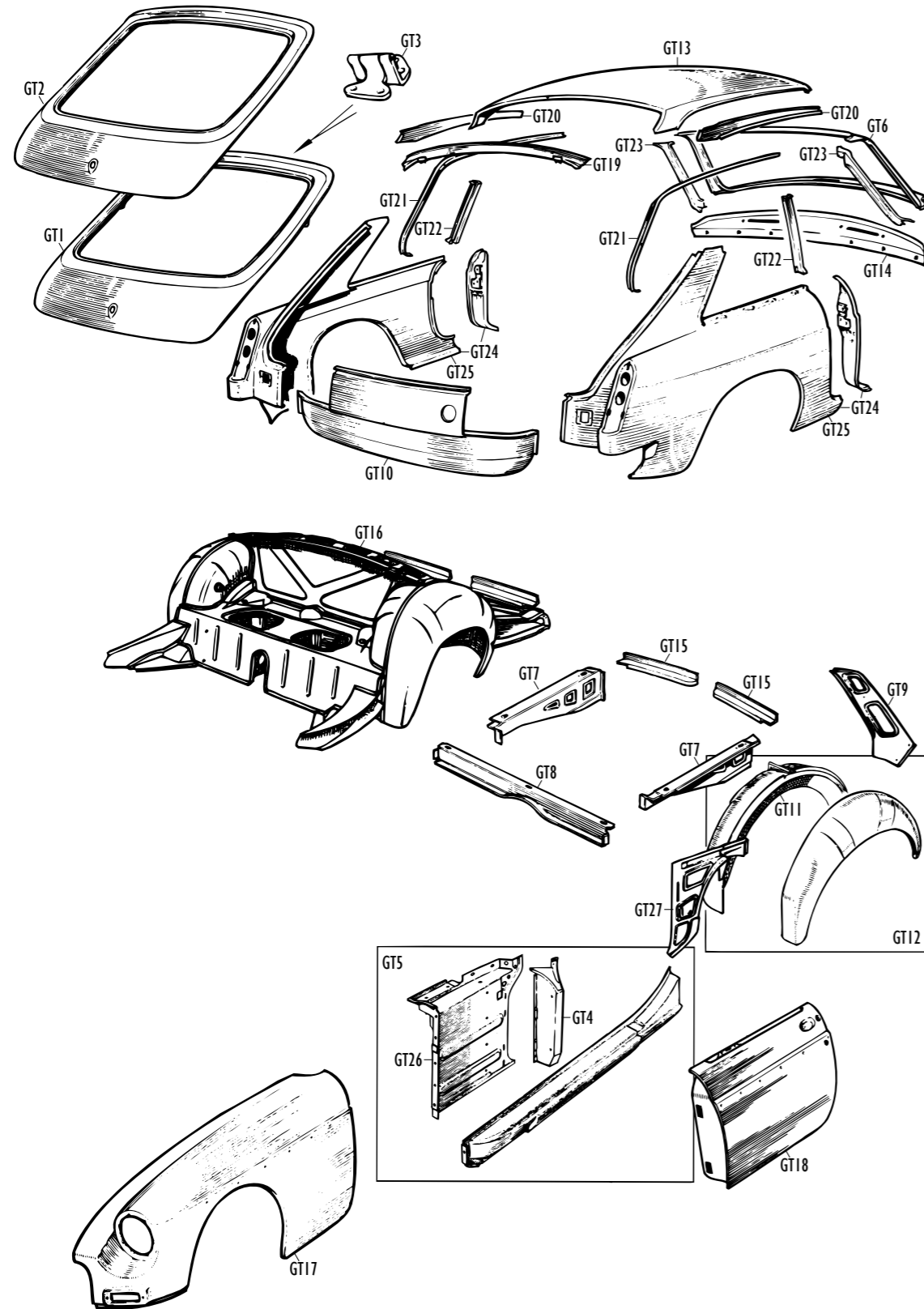


MGB Front Body continued

KEY	ITEM CODE	NAME	DESCRIPTION	APPLICATION
F15	HZA4305P	Shield	Splash Shield, LH, Painted Finish	MGB & GT, 1970 on (will fit earlier models)
F15	HZA4305SE	Shield	Splash Shield, LH, Powder Coated Finish	MGB & GT, 1970 on (will fit earlier models)
F16	HZA1431	Cover	Cover, Gearbox Remote Control	MGB & GT, 1967 on (4 synchro)
F17	HZA2327	Diaphragm	Diaphragm, Radiator Mounting, Assembly	MGB & GT, 1962-76 (mechanical radiator fan)
F18	HZA364	Hinge	Hinge, Bonnet	MGB & GT, 1962 on (all)
F19	HZA466	Bracket	Bracket, Radiator Mounting, RH	MGB & GT, 1962-76 (mechanical radiator fan)
F19	HZA467	Bracket	Bracket, Radiator Mounting, LH	MGB & GT, 1962-76 (mechanical radiator fan)
F20	HZA4514	Bracket	Bracket, Radiator Mounting, RH	MGB & GT, 1976 on (electric radiator fan), MGB GT V8, 1972-76 (all)
F20	HZA4515	Bracket	Bracket, Radiator Mounting, LH	MGB & GT, 1976 on (electric radiator fan), MGB GT V8, 1972-76 (all)
F21	HZA4866	Bracket	Bracket, Front Bumper Mounting, Upper, RH	MGB & GT, 1974 on (rubber bumper), MGB GT V8, 1974-76 (rubber bumper)
F21	HZA4867	Bracket	Bracket, Front Bumper Mounting, Upper, LH	MGB & GT, 1974 on (rubber bumper), MGB GT V8, 1974-76 (rubber bumper)
F22	HZA4818	Bracket	Bracket, Front Bumper Mounting, Lower, RH	MGB & GT, 1974 on (rubber bumper), MGB GT V8, 1974-76 (rubber bumper)
F22	HZA4819	Bracket	Bracket, Front Bumper Mounting, Lower, LH	MGB & GT, 1974 on (rubber bumper), MGB GT V8, 1974-76 (rubber bumper)
F23	HZA4814	Plate	Plate, Front Bumper Mounting, Front	MGB & GT, 1974 on (rubber bumper), MGB GT V8, 1974-76 (rubber bumper)
F24	AHA5543	Cup	Cup, Bonnet Lock Pin Locating	MGB & GT, 1962 on (all)
F25	4G3676	Cup	Cup, Bonnet Lock Pin, 'Thimble'	MGB & GT, 1962 on (all)
F26	AHH6992	Shim	Shim, Engine Mounting	MGB & GT, 1962-74 (chrome bumper, not V8)
F27	BHH1095	Cover	Cover, Pedal Box	MGB & GT, 1978 on (dual line brakes, not North America), MGB & GT, 1974 on (dual line brakes, North America only), MGB GT V8, 1972-76 (all)
F28	HZA392	Bracket	Bracket, Engine Mounting, RH	MGB & GT, 1962-74 (chrome bumper, not V8)
F28	HZA393	Bracket	Bracket, Engine Mounting, LH	MGB & GT, 1962-74 (chrome bumper, not V8)
F28	HZA4504	Bracket	Bracket, Engine Mounting, RH	MGB & GT, 1974 on (rubber bumper), MGB GT V8, 1972-76 (all)
F28	HZA4505	Bracket	Bracket, Engine Mounting, LH	MGB & GT, 1974 on (rubber bumper), MGB GT V8, 1972-76 (all)
F29	HZA1446	Tube	Tube, Stiffener, Between A Posts	MGB Roadster, 1962-74 (chrome bumper, not North America), MGB Roadster, 1962-67 (chrome bumper, North America only)
F29	HZA3524	Tube	Tube, Stiffener, Between A Posts	MGB Roadster, 1974 on (LHD, rubber bumper, not North America), MGB Roadster, 1967 on (North America only)
F29	HZA4868	Tube	Tube, Stiffener, Between A Posts	MGB Roadster, 1974 on (RHD, rubber bumper)
F30	HZA158	Extension	Extension, Wheelarch to Bulkhead, RH	MGB & GT, 1962 on (all)
F30	HZA159	Extension	Extension, Wheelarch to Bulkhead, LH	MGB & GT, 1962 on (all)
F31	HZA162	Reinforcement	Reinforcement, Shroud/Scuttle	MGB Roadster, 1962 on (all)
F32	HZA4614	Bracket	Bracket, Remote Oil Filter Mounting	MGB GT V8, 1972-76 (all)
F33	HZA605	Bulkhead	Bulkhead, Front, Upper, Assembly	MGB & GT, 1962-74 (chrome bumper)
F34	RGD-01-148	Reinforcement	Reinforcement, Wheelarch, RH, Manifold Apertures	MGB & GT, V8 conversion (genuine RV8 part, used to accept RV8 type exhaust manifolds)
F34	RGD-01-149	Reinforcement	Reinforcement, Wheelarch, LH, Manifold Apertures	MGB & GT, V8 conversion (genuine RV8 part, used to accept RV8 type exhaust manifolds)



MGB GT Unique Panels



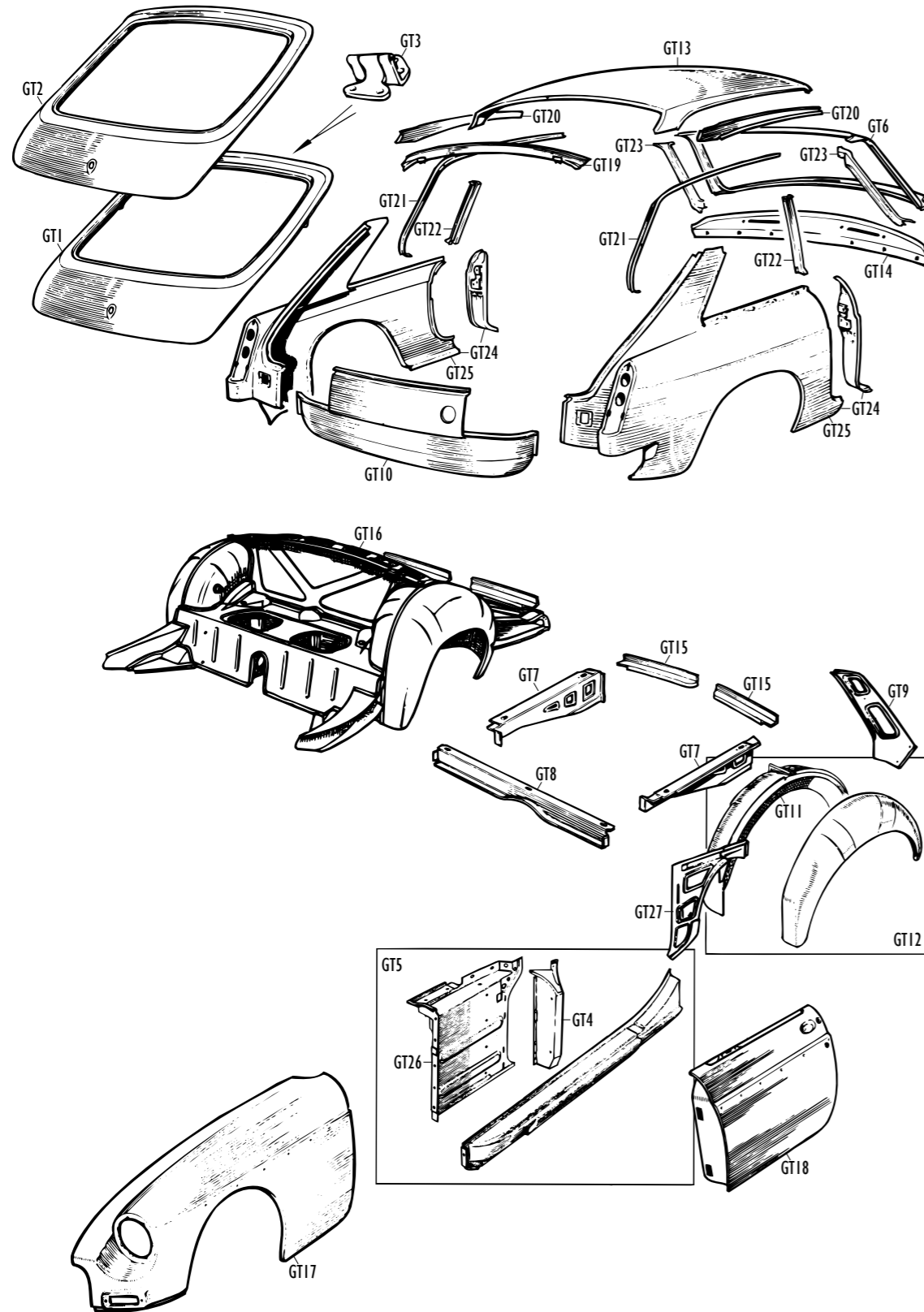
MGB GT Unique Panels continued

KEY	ITEM CODE	NAME	DESCRIPTION	APPLICATION
GT1	HZA3994	Tailgate	Tailgate Assembly	MGB GT, 1965 on (all)
GT2	HZA2003	Tailgate	Tailgate Outer Panel, 'Skin'	MGB GT, 1965 on (all)
GT3	HZA2100	Hinge	Tailgate Hinge Assembly, RH	MGB GT, 1965 on (all)
GT3	HZA2101	Hinge	Tailgate Hinge Assembly, LH	MGB GT, 1965 on (all)
GT4	HZA2136	A Post	A Post, Assembly, RH	MGB GT, 1965 on (all)
GT4	HZA2137	A Post	A Post, Assembly, RH	MGB GT, 1965 on (all)
GT5	HZA3996	Dash Side	Dash Side, With A Post & Outer Sill, Assembly, RH	MGB GT, 1965 on (all)
GT5	HZA3997	Dash Side	Dash Side, With A Post & Outer Sill, Assembly, LH	MGB GT, 1965 on (all)
GT6	HZA2163	Windscreen	Windscreen Surround Assembly	MGB GT, 1965-77 (with one washer jet hole)
GT6	HZA5553	Windscreen	Windscreen Surround Assembly	MGB GT, 1977 on (with two washer jet holes)
GT7	HZA2034	Support	Support, Boot Floor Side, RH	MGB GT, 1965 on (all)
GT7	HZA2035	Support	Support, Boot Floor Side, LH	MGB GT, 1965 on (all)
GT8	HZA2154	Support	Support, Boot Floor, Front	MGB GT, 1965 on (all)
GT9	HZA2038	D Post	D Post, Inner, 'Rear Quarter Inner Upper', RH	MGB GT, 1965 on (all)
GT9	HZA2039	D Post	D Post, Inner, 'Rear Quarter Inner Upper', LH	MGB GT, 1965 on (all)
GT10	HZA4227	Valance	Valance, Rear, 'Body Rear Lower'	MGB GT, 1965-74 (chrome bumper)
GT10	HZA4849	Valance	Valance, Rear, 'Body Rear Lower'	MGB GT, 1974 on (rubber bumper)
GT11	HZA2232	Wheelarch	Wheelarch, Rear, Inner, RH	MGB GT, 1965 on (all)
GT11	HZA2233	Wheelarch	Wheelarch, Rear, Inner, LH	MGB GT, 1965 on (all)
GT12	BMH9006	Wheelarch	Wheelarch, Rear, Inner & Outer, Assembly, RH	MGB GT, 1965 on (all)
GT12	BMH9007	Wheelarch	Wheelarch, Rear, Inner & Outer, Assembly, LH	MGB GT, 1965 on (all)
GT13	HZA2000	Roof	Roof Panel	MGB GT, 1965 on (all)
GT14	HZA4009	Dash Top	Dash Top Assembly	MGB GT, 1965-74 (chrome bumper, not North America), MGB GT, 1965-67 (North America only)
GT14	HZA4933	Dash Top	Dash Top Assembly	MGB GT, 1974 on (rubber bumper, not North America)
GT15	HZA2060	Support	Support, Boot Floor Side, Rear, RH	MGB GT, 1965 on (all)
GT15	HZA2061	Support	Support, Boot Floor Side, Rear, LH	MGB GT, 1965 on (all)
GT16	HZA3979	Underframe	Underframe, Rear, Complete Assembly	MGB GT, 1965-74 (chrome bumper)
GT16	HZA5267	Underframe	Underframe, Rear, Complete Assembly	MGB GT, 1974 on (rubber bumper)
GT17	HZA2124	Wing	Wing, Front, Assembly, RH	MGB GT, 1965-68 (chrome bumper, wide indicator to grille space)
GT17	HZA2125	Wing	Wing, Front, Assembly, LH	MGB GT, 1965-68 (chrome bumper, wide indicator to grille space)
GT17	HZA3846	Wing	Wing, Front, Assembly, RH	MGB GT, 1968-74 (chrome bumper, narrow indicator to grille space, not North America), MGB GT, 1968-69 (chrome bumper, North America only)
GT17	HZA3847	Wing	Wing, Front, Assembly, LH	MGB GT, 1968-74 (chrome bumper, narrow indicator to grille space, not North America), MGB GT, 1968-69 (chrome bumper, North America only)
GT17	HZA4836	Wing	Wing, Front, Assembly, RH	MGB GT, 1974 on (rubber bumper, not North America)
GT17	HZA4837	Wing	Wing, Front, Assembly, LH	MGB GT, 1974 on (rubber bumper, not North America)
GT18	HZA5514	Door	Door Assembly, RH	MGB GT, 1967 on (4 synchro, not North America), MGB GT, 1967-72 (4 synchro, North America only, will fit later models)



MGB GT Unique Panels

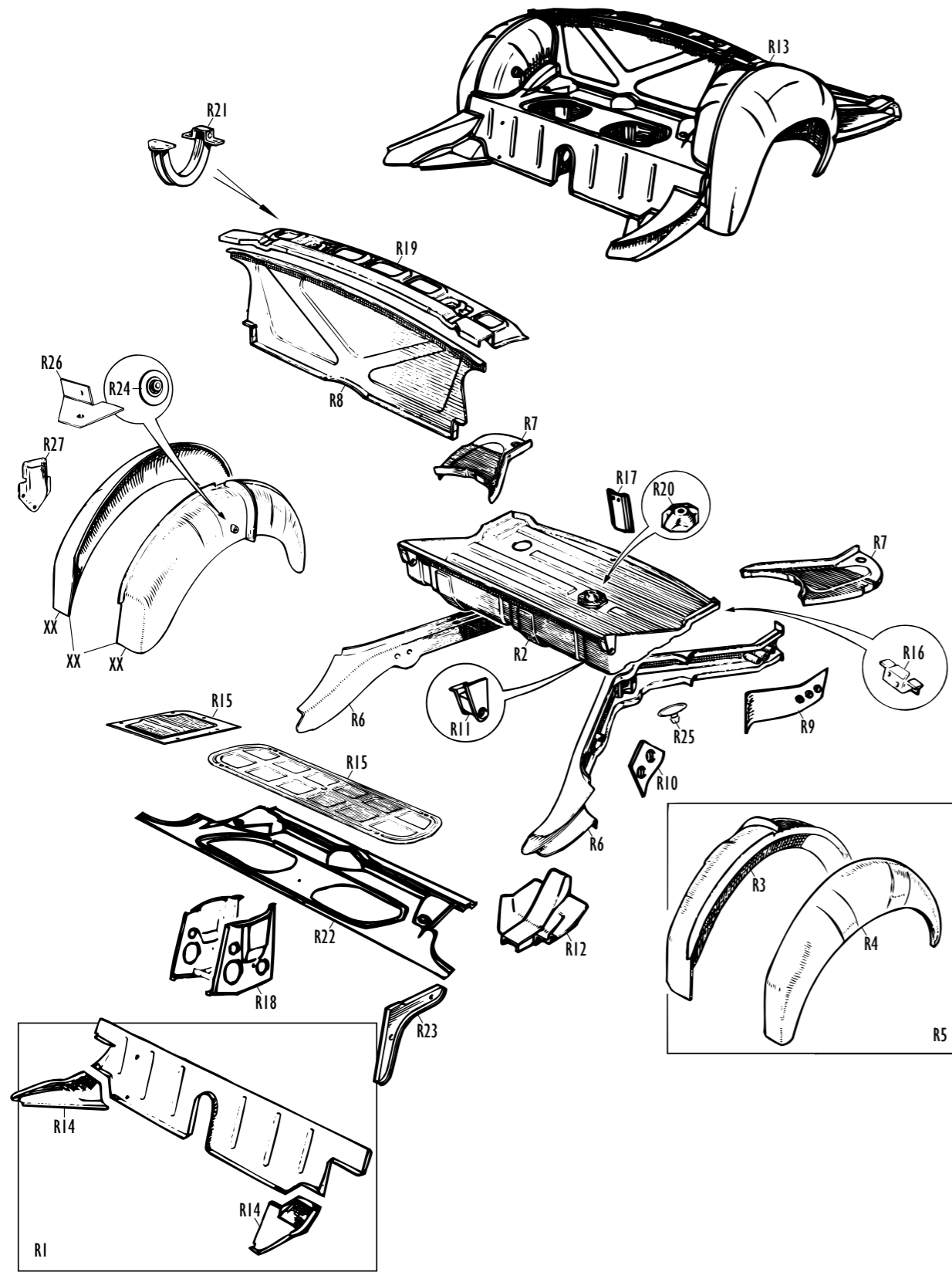
MGB GT Unique Panels continued



KEY	ITEM CODE	NAME	DESCRIPTION	APPLICATION
GT18	HZA5515	Door	Door Assembly, LH	MGB GT, 1967 on (4 synchro, not North America), MGB GT, 1967-72 (4 synchro, North America only, will fit later models)
GT19	HZA3917	Closing Panel	Closing Panel, Roof, Rear	MGB GT, 1965 on (all)
GT20	HZA2020	Cant Rail	Cant Rail, Roof, RH	MGB GT, 1965 on (all)
GT20	HZA2021	Cant Rail	Cant Rail, Roof, LH	MGB GT, 1965 on (all)
GT21	HZA2132	Drip Rail	Cant Rail, Roof, RH	MGB GT, 1965 on (all)
GT21	HZA2133	Drip Rail	Cant Rail, Roof, LH	MGB GT, 1965 on (all)
GT22	HZA4108	B Post	B Post, Upper Panel, RH	MGB GT, 1965 on (all)
GT22	HZA4109	B Post	B Post, Upper Panel, RH	MGB GT, 1965 on (all)
GT23	HZA2030	A Post	A Post Upper Closing Panel, 'Windscreen Side Closing', RH	MGB GT, 1965 on (all)
GT23	HZA2031	A Post	A Post Upper Closing Panel, 'Windscreen Side Closing', LH	MGB GT, 1965 on (all)
GT24	BMH9016	Wing	Wing, Rear, Complete Assembly, RH	MGB GT, 1974 on (rubber bumper, for North America will require piercing for marker lights)
GT24	BMH9017	Wing	Wing, Rear, Complete Assembly, LH	MGB GT, 1974 on (rubber bumper, for North America will require piercing for marker lights)
GT24	HZA4222	Wing	Wing, Rear, Complete Assembly, RH	MGB GT, 1967-74 (late 3 synchro with reversing lights, 4 synchro, chrome bumper, for North America may require piercing for marker lights)
GT24	HZA4223	Wing	Wing, Rear, Complete Assembly, LH	MGB GT, 1967-74 (late 3 synchro with reversing lights, 4 synchro, chrome bumper, for North America may require piercing for marker lights)
GT25	BMH9012	Wing	Wing, Rear, Assembly, Less B Post, RH	MGB GT, 1967-74 (late 3 synchro with reversing lights, 4 synchro, chrome bumper, for North America may require piercing for marker lights)
GT25	BMH9013	Wing	Wing, Rear, Assembly, Less B Post, LH	MGB GT, 1967-74 (late 3 synchro with reversing lights, 4 synchro, chrome bumper, for North America may require piercing for marker lights)
GT25	HZA4904	Wing	Wing, Rear, Assembly, Less B Post, RH	MGB GT, 1974 on (rubber bumper, for North America will require piercing for marker lights)
GT25	HZA4905	Wing	Wing, Rear, Assembly, Less B Post, LH	MGB GT, 1974 on (rubber bumper, for North America will require piercing for marker lights)
GT26	HZA2146	Dash Side	Dash Side, Outer, Assembly, RH	MGB GT, 1965 on (all)
GT26	HZA2147	Dash Side	Dash Side, Outer, Assembly, LH	MGB GT, 1965 on (all)
GT27	HZA2036	Rear Quarter	Rear Quarter, Inner, RH	MGB GT, 1965 on (all)
GT27	HZA2037	Rear Quarter	Rear Quarter, Inner, LH	MGB GT, 1965 on (all)
GT27	HZA2240	Rear Quarter	Rear Quarter, Inner, Assembly, With Extension, RH	MGB GT, 1965 on (all)
GT27	HZA2241	Rear Quarter	Rear Quarter, Inner, Assembly, With Extension, LH	MGB GT, 1965 on (all)



MGB Rear Body

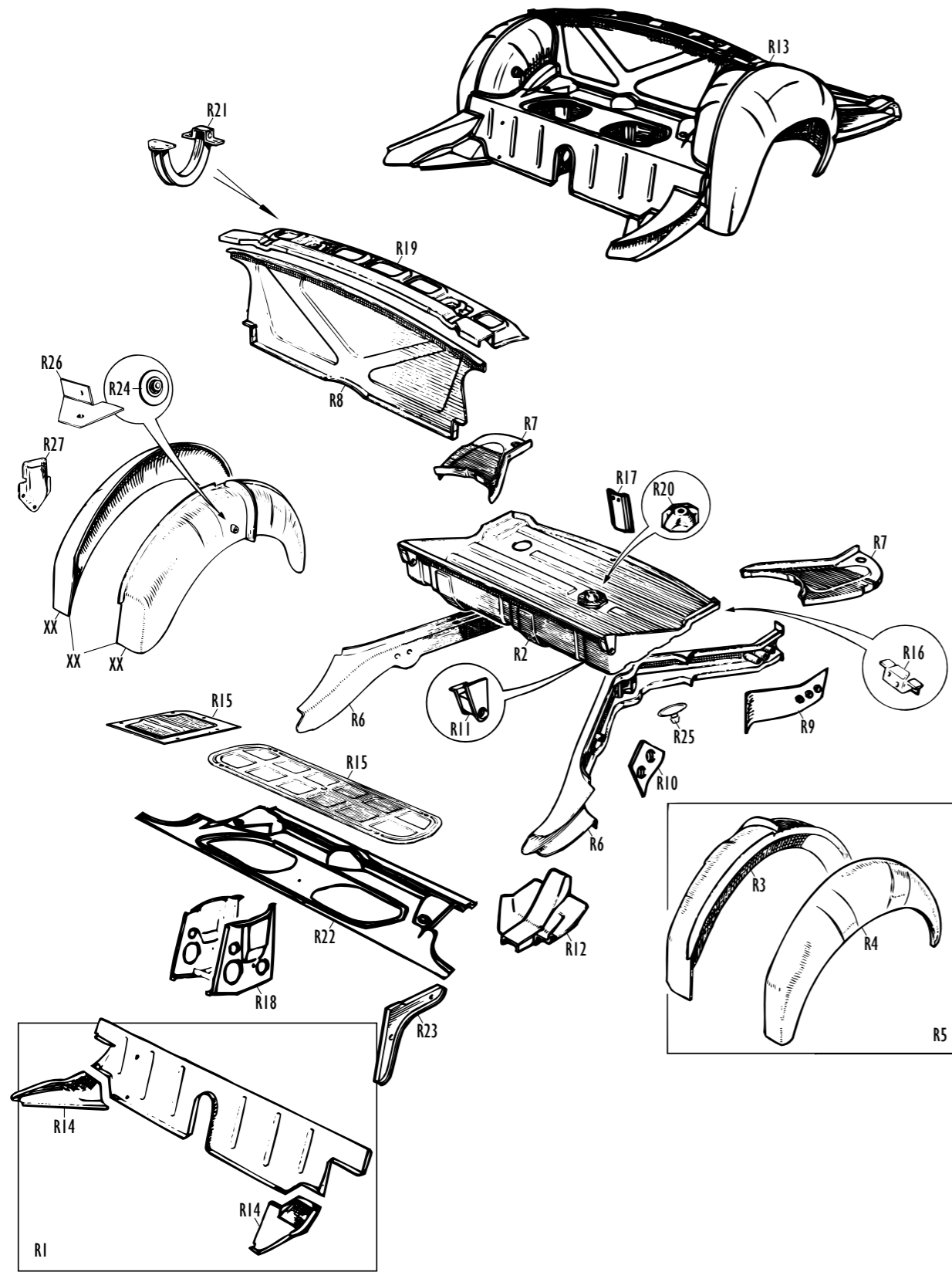


MGB Rear Body continued

KEY	ITEM CODE	NAME	DESCRIPTION	APPLICATION
R1	HZA488	Heelboard	Heelboard, Complete Assembly, With Extensions	MGB & GT, 1962 on (all)
R2	HZA535	Floor	Floor, Boot, Assembly	MGB & GT, 1965-74 (chrome bumper, not 1962-64 Roadster models with strap type fuel tank)
R2	HZA5529	Floor	Floor, Boot, Assembly	MGB & GT, 1974 on (rubber bumper)
R3	HZA4118	Wheelarch	Wheelarch, Rear, Inner, RH	MGB Roadster, 1962 on (all)
R3	HZA4119	Wheelarch	Wheelarch, Rear, Inner, LH	MGB Roadster, 1962 on (all)
R4	HZA138	Wheelarch	Wheelarch, Rear, Outer, RH	MGB & GT, 1962 on (all)
R4	HZA615	Wheelarch	Wheelarch, Rear, Outer, LH	MGB & GT, 1962 on (all)
R5	BMH9000	Wheelarch	Wheelarch, Rear, Inner & Outer, Assembly, RH	MGB Roadster, 1962 on (all)
R5	BMH9001	Wheelarch	Wheelarch, Rear, Inner & Outer, Assembly, LH	MGB Roadster, 1962 on (all)
R6	HZA3974	Sidemember	Sidemember, Rear, Assembly, RH	MGB Roadster, 1962 on (all)
R6	HZA3975	Sidemember	Sidemember, Rear, Assembly, LH	MGB Roadster, 1962 on (all)
R6	HZA4924	Sidemember	Sidemember, Rear, Assembly, RH	MGB GT, 1965 on (all)
R6	HZA4925	Sidemember	Sidemember, Rear, Assembly, LH	MGB GT, 1965 on (all)
R7	HZA160	Floor	Floor, Boot, Outer Extension, RH	MGB & GT, 1962 on (all)
R7	HZA161	Floor	Floor, Boot, Outer Extension, LH	MGB & GT, 1962 on (all)
R8	HZA167	Bulkhead	Bulkhead, Rear	MGB Roadster, 1962 on (all)
R9	HZA272	Closing Panel	Closing Panel, Rear Sidemember, RH	MGB & GT, 1962-74 (chrome bumper)
R9	HZA273	Closing Panel	Closing Panel, Rear Sidemember, LH	MGB & GT, 1962-74 (chrome bumper)
R9	HZA4908	Closing Panel	Closing Panel, Rear Sidemember, RH	MGB & GT, 1974 on (rubber bumper)
R9	HZA4909	Closing Panel	Closing Panel, Rear Sidemember, LH	MGB & GT, 1974 on (rubber bumper)
R10	HZA276	Plate	Plate, Rear Shock Absorber Mounting, RH	MGB & GT, 1962 on (all)
R10	HZA277	Plate	Plate, Rear Shock Absorber Mounting, LH	MGB & GT, 1962 on (all)
R11	HZA286	Bracket	Bracket, Rebound Strap Mounting, RH	MGB & GT, 1962-74 (chrome bumper)
R11	HZA287	Bracket	Bracket, Rebound Strap Mounting, LH	MGB & GT, 1962-74 (chrome bumper)
R11	HZA4960	Bracket	Bracket, Rebound Strap Mounting, RH	MGB & GT, 1974 on (rubber bumper)
R11	HZA4961	Bracket	Bracket, Rebound Strap Mounting, LH	MGB & GT, 1974 on (rubber bumper)
R12	BMH9002	Bracket	Bracket, Rear Spring Front Eye Mounting, RH	MGB & GT, 1962-74 (chrome bumper, not V8)
R12	BMH9003	Bracket	Bracket, Rear Spring Front Eye Mounting, LH	MGB & GT, 1962-74 (chrome bumper, not V8)
R12	BMH9004	Bracket	Bracket, Rear Spring Front Eye Mounting, RH	MGB & GT, 1974 on (rubber bumper), MGB GT V8, 1972-76 (all)
R12	BMH9005	Bracket	Bracket, Rear Spring Front Eye Mounting, LH	MGB & GT, 1974 on (rubber bumper), MGB GT V8, 1972-76 (all)
R13	HZA3971	Underframe	Underframe, Rear, Complete Assembly	MGB Roadster, 1965-74 (chrome bumper, not 1962-64 Roadster models with strap type fuel tank)
R13	HZA5268	Underframe	Underframe, Rear, Complete Assembly	MGB Roadster, 1974 on (rubber bumper)
R14	HZA268	Extension	Extension, Heelboard, RH	MGB & GT, 1962 on (all)
R14	HZA269	Extension	Extension, Heelboard, LH	MGB & GT, 1962 on (all)
R15	AHH6716	Cover	Cover, Battery	MGB & GT, 1962-74 (chrome bumper, 6V type)



MGB Rear Body



MGB Rear Body continued

KEY	ITEM CODE	NAME	DESCRIPTION	APPLICATION
R15	HZA4935	Cover	Cover, Battery	MGB & GT, 1974 on (rubber bumper, 12V type)
R16	HZA479	Bracket	Bracket, Rear Exhaust Mounting	MGB & GT, 1962 on (all)
R17	HZA470	Bracket	Bracket, Boot Latch Striker	MGB & GT, 1962 on (all)
R18	BMH9507	Box	Box, Battery Mounting, Assembly	MGB & GT, 1962-74 (chrome bumper, 6V type)
R18	BMH9511	Box	Box, Battery Mounting, Assembly	MGB & GT, 1974 on (rubber bumper, 12V type)
R19	HZA3515	Reinforcement	Reinforcement, Rear Deck	MGB Roadster, 1962 on (all)
R20	AHA5741	Bracket	Bracket, Threaded, Spare Wheel Mounting	MGB & GT, 1962 on (all)
R21	AHA6314	Hinge	Hinge, Boot Lid, RH	MGB Roadster, 1962 on (all)
R21	AHA6315	Hinge	Hinge, Boot Lid, LH	MGB Roadster, 1962 on (all)
R22	HZA115	Shelf	Shelf, Cockpit Rear, 'Battery Shelf'	MGB & GT, 1962-74 (chrome bumper)
R23	HZA4914	Strengtheners	Strengtheners, Heelboard	MGB & GT, 1974 on (rubber bumper)
R24	HZA3931	Boss	Boss, Threaded, Seat Belt Mounting	MGB & GT, 1971 on (for inertia reel seat belts; may be fitted to earlier models)
R25	HZA4101	Retainer	Retainer, Bump Stop, Rear Sidemember	MGB & GT, 1962 on (all)
R26	BMH9512	Bracket	Bracket, Seat Belt Mounting, Wheel arch, RH	MGB Roadster, 1971 on (for inertia reel seat belts; may be fitted to earlier models)
R26	BMH9513	Bracket	Bracket, Seat Belt Mounting, Wheel arch, LH	MGB Roadster, 1971 on (for inertia reel seat belts; may be fitted to earlier models)
R27	BHH611	Socket	Socket, Tonneau Bar Mounting, Black	MGB Roadster, 1971 on (may be fitted to earlier models)



Book a factory visit

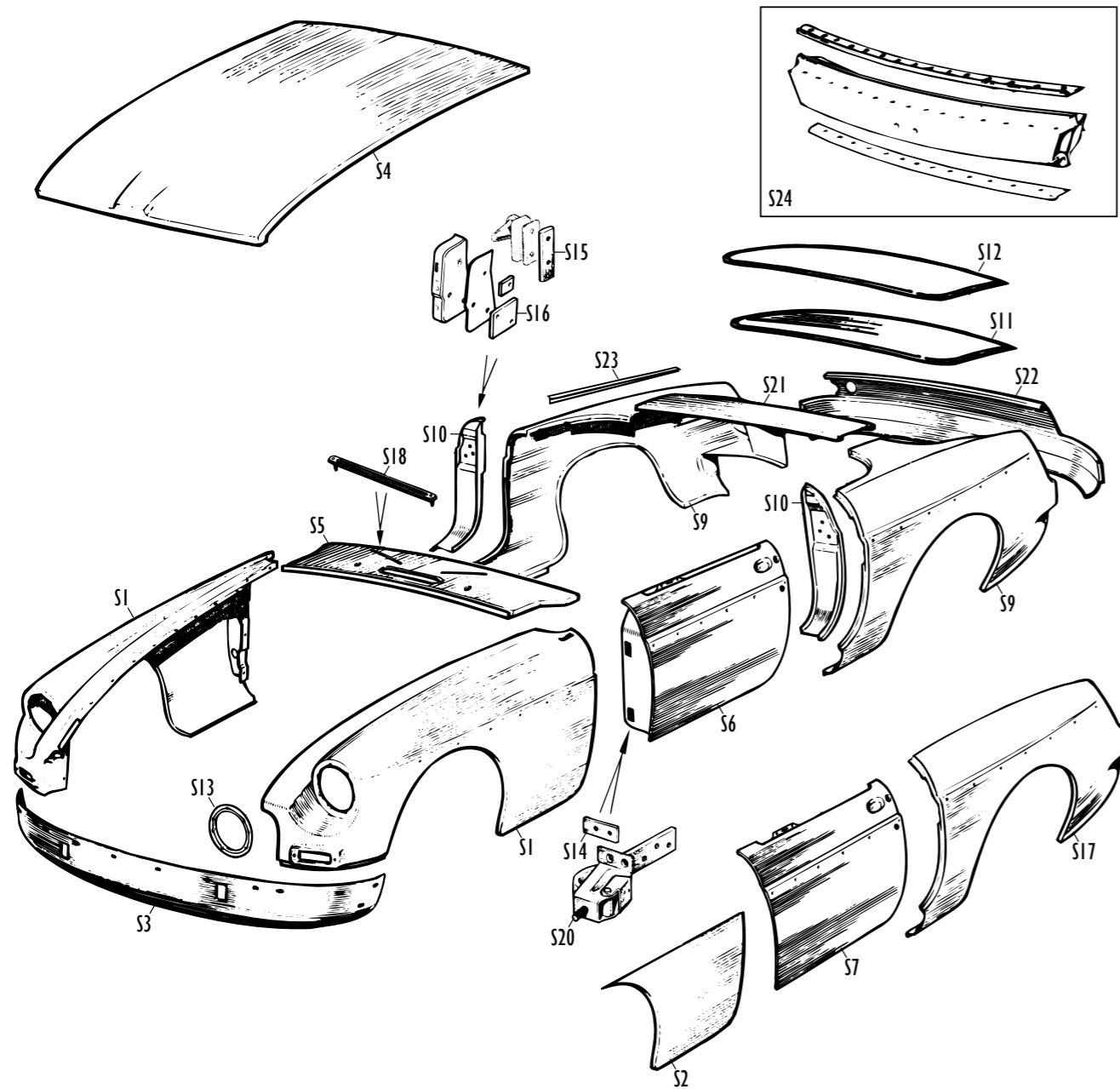
British Motor Heritage welcomes organised parties of visitors to take a look around our facility at Witney in Oxfordshire. We welcome clubs or private groups.

You can book your factory visit on Monday to Thursday arriving at 10am. Complete the form on our website and we will get you booked in for a visit.

www.bmh-ltd.com/about-us/factory-visit



MGB Skin Panels

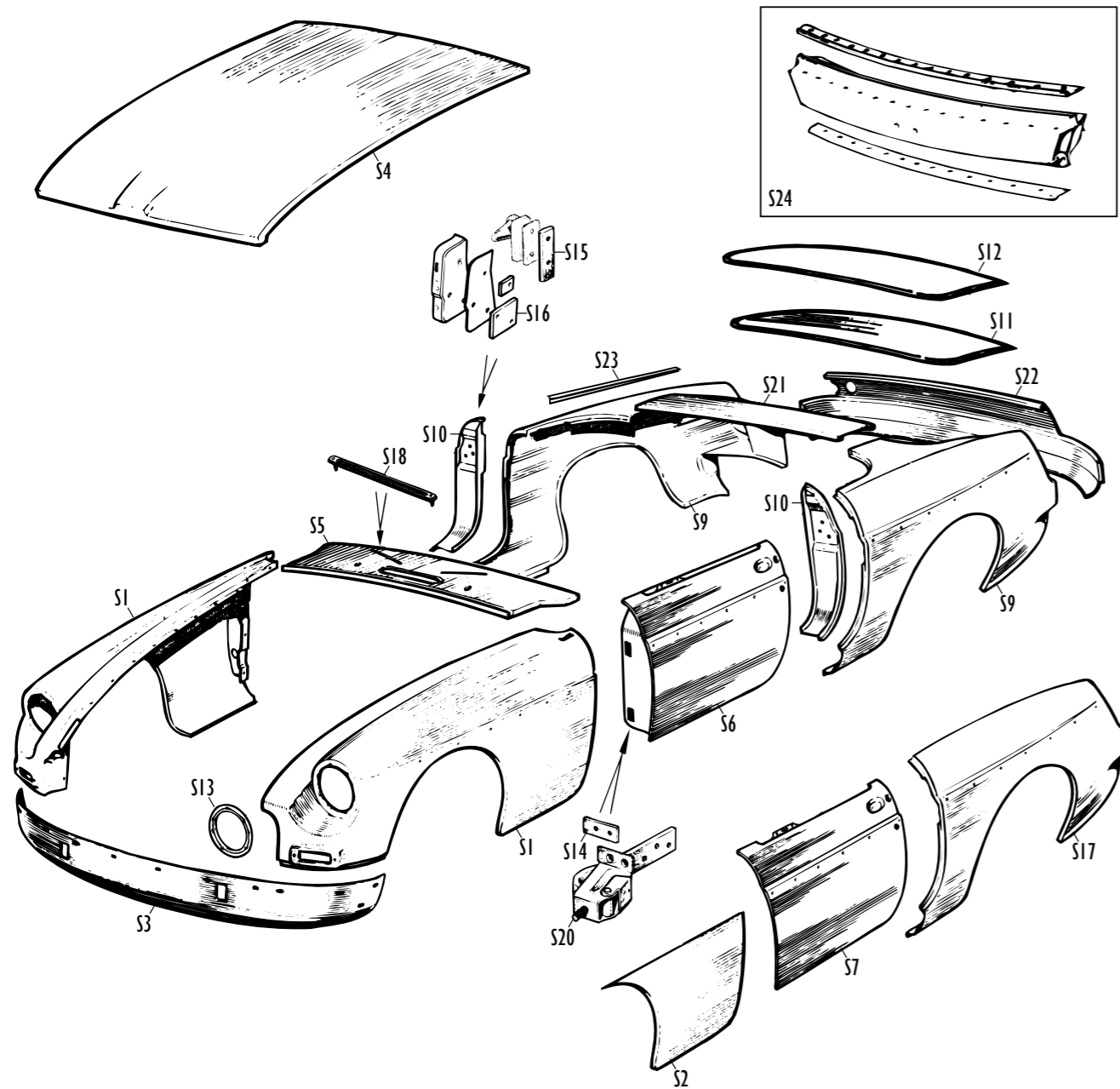


MGB Skin Panels continued

KEY	ITEM CODE	NAME	DESCRIPTION	APPLICATION
S1	HZA3842	Wing	Wing, Front, Assembly, RH	MGB Roadster, 1968-74 (chrome bumper, narrow indicator to grille space, not North America), MGB Roadster, 1968-69 (chrome bumper, North America only)
S1	HZA3843	Wing	Wing, Front, Assembly, LH	MGB Roadster, 1968-74 (chrome bumper, narrow indicator to grille space, not North America), MGB Roadster, 1968-69 (chrome bumper, North America only)
S1	HZA4085	Wing	Wing, Front, Assembly, RH	MGB Roadster, 1970-74 (chrome bumper, marker light piercings, North America only)
S1	HZA4265	Wing	Wing, Front, Assembly, LH	MGB Roadster, 1970-74 (chrome bumper, marker light piercings, North America only)
S1	HZA409	Wing	Wing, Front, Assembly, RH	MGB Roadster, 1962-68 (chrome bumper, wide indicator to grille space)
S1	HZA410	Wing	Wing, Front, Assembly, LH	MGB Roadster, 1962-68 (chrome bumper, wide indicator to grille space)
S1	HZA4824	Wing	Wing, Front, Assembly, RH	MGB Roadster, 1974 on (rubber bumper, marker light piercings, North America only)
S1	HZA4825	Wing	Wing, Front, Assembly, LH	MGB Roadster, 1974 on (rubber bumper, marker light piercings, North America only)
S1	HZA4832	Wing	Wing, Front, Assembly, RH	MGB Roadster, 1974 on (rubber bumper, not North America)
S1	HZA4833	Wing	Wing, Front, Assembly, LH	MGB Roadster, 1974 on (rubber bumper, not North America)
S2	HZA220	Wing Repair	Wing Repair, Front Wing, Rear Lower Half, RH	MGB & GT, 1962 on (all)
S2	HZA221	Wing Repair	Wing Repair, Front Wing, Rear Lower Half, LH	MGB & GT, 1962 on (all)
S3	HZA132	Valance	Valance, Front, 'Body Front Lower'	MGB & GT, 1962-72 (chrome bumper, without rectangular air vents)
S3	HZA4812	Valance	Valance, Front, 'Body Front Lower'	MGB & GT, 1974 on (rubber bumper)
S3	HZA592	Valance	Valance, Front, 'Body Front Lower'	MGB & GT, 1972-74 (chrome bumper, with two rectangular air vents)
S4	HZA401	Bonnet	Bonnet Assembly	MGB & GT, 1962-69 (aluminium; will fit later models)
S4	HZA4014	Bonnet	Bonnet Assembly	MGB & GT, 1970 on (steel; will fit earlier models)
S4	ZKC5425	Bonnet	Bonnet Assembly	MGB & GT, V8 conversion (genuine RV8 part, accepts taller induction systems than original MGB GT V8 type)
S5	HZA3820	Shroud	Shroud, Complete Assembly, 'Scuttle'	MGB Roadster, 1969-76 (LHD, not North America), MGB Roadster, 1967 on (LHD, North America only)
S5	HZA4932	Shroud	Shroud, Complete Assembly, 'Scuttle'	MGB Roadster, 1974 on (RHD, rubber bumper)
S5	HZA672	Shroud	Shroud, Complete Assembly, 'Scuttle'	MGB Roadster, 1962-74 (RHD, chrome bumper), MGB Roadster, 1962-67 (LHD, North America only), MGB Roadster, 1962-69 (LHD, not North America)
S6	HZA5508	Door	Door Assembly, RH	MGB Roadster, 1967 on (4 synchro, not North America), MGB Roadster, 1967-72 (4 synchro, North America only, will fit later models)
S6	HZA5509	Door	Door Assembly, LH	MGB Roadster, 1967 on (4 synchro, not North America), MGB Roadster, 1967-72 (4 synchro, North America only, will fit later models)
S7	HZA566	Door	Door Outer Panel, 'Skin', RH	MGB & GT, 1965 on (push button door handle models, small mod required for GT fitment. Can be modified to fit earlier pull out door handle models)
S7	HZA567	Door	Door Outer Panel, 'Skin', LH	MGB & GT, 1965 on (push button door handle models, small mod required for GT fitment. Can be modified to fit earlier pull out door handle models)
S9	HZA4224	Wing	Wing, Rear, Assembly, Less B Post, RH	MGB Roadster, 1967-74 (late 3 synchro with reversing lights, 4 synchro, chrome bumper, for North America may require piercing for marker lights)
S9	HZA4225	Wing	Wing, Rear, Assembly, Less B Post, LH	MGB Roadster, 1967-74 (late 3 synchro with reversing lights, 4 synchro, chrome bumper, for North America may require piercing for marker lights)
S9	HZA5000	Wing	Wing, Rear, Assembly, Less B Post, RH	MGB Roadster, 1974 on (rubber bumper, for North America will require piercing for marker lights)
S9	HZA5001	Wing	Wing, Rear, Assembly, Less B Post, LH	MGB Roadster, 1974 on (rubber bumper, for North America will require piercing for marker lights)
S10	HZA4156	B Post	B Post, Assembly, RH	MGB Roadster, 1972 on (North America only, with provision for anti burst pin)
S10	HZA4157	B Post	B Post, Assembly, LH	MGB Roadster, 1972 on (North America only, with provision for anti burst pin)
S10	HZA582	B Post	B Post, Assembly, RH	MGB Roadster, 1965 on (may be modified for earlier pull out door handle models, not North America after 1972)
S10	HZA583	B Post	B Post, Assembly, LH	MGB Roadster, 1965 on (may be modified for earlier pull out door handle models, not North America after 1972)
S11	HZA5511	Boot Lid	Boot Lid Assembly	MGB Roadster, 1962 on (all models, with brackets for early and late props, requires late type boot lid seal fitted to body)
S11	HMP113218	Boot Lid	Boot Lid Assembly	MGB Roadster, 1962 on (aluminium, will fit all models, requires late type boot lid seal fitted to body)



MGB Skin Panels



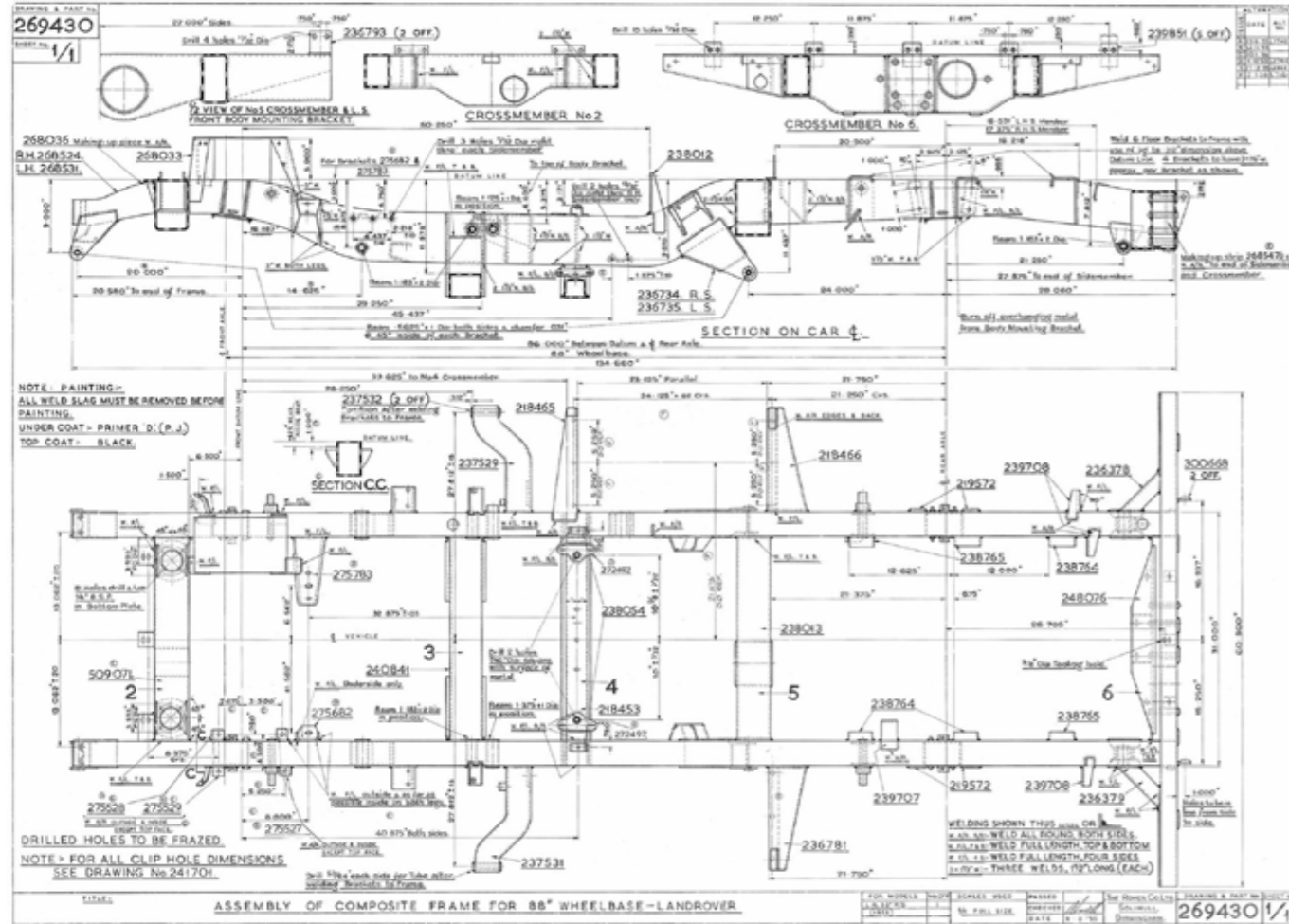
MGB Skin Panels continued

KEY	ITEM CODE	NAME	DESCRIPTION	APPLICATION
S11	ZKC5429	Boot Lid	Boot Lid Assembly	MG RV8, 1992-96 (all)
S12	HZA117	Boot Lid	Boot Lid Outer Panel, 'Skin'	MGB Roadster, 1962 on (all)
S13	HZA484	Wing Repair	Wing Repair, Mounting Ring, Headlamp	MGB & GT, 1962 on (all)
S14	HZA350	Plate	Plate, Tapped, Door Hinge to A Post	MGB & GT, 1962 on (all)
S15	HZA368	Plate	Plate, Tapped, Door Striker to B Post	MGB Roadster, 1962-64 (pull out door handle models)
S16	ZKC5624	Plate	Plate, Tapped, Door Striker to B Post	MGB & GT, 1965 on (push button door handle models)
S17	HZA4840	Wing Repair	Wing Repair, Rear Wing, Outer Panel, Full Height & Length, RH	MGB & GT, 1974 on (rubber bumper, for North America will require piercing for marker lights)
S17	HZA4841	Wing Repair	Wing Repair, Rear Wing, Outer Panel, Full Height & Length, LH	MGB & GT, 1974 on (rubber bumper, for North America will require piercing for marker lights)
S17	HZA578	Wing Repair	Wing Repair, Rear Wing, Outer Panel, Full Height & Length, RH	MGB & GT, 1962-74 (chrome bumper, for North America may require piercing for marker lights)
S17	HZA579	Wing Repair	Wing Repair, Rear Wing, Outer Panel, Full Height & Length, LH	MGB & GT, 1962-74 (chrome bumper, for North America may require piercing for marker lights)
S18	AHH8566	Escutcheon	Escutcheon, Demister Vent, Black	MGB & GT, 1974 on (rubber bumper, except North America), MGB & GT 1968 on (North America only)
S20	BMH9502	Hinge	Door Hinge Assembly, RH	MGB & GT, 1962 on (all, without click stop)
S20	BMH9503	Hinge	Door Hinge Assembly, LH	MGB & GT, 1962 on (all, without click stop)
S20	BMH9504	Hinge	Door Hinge Assembly, RH	MGB & GT, 1976 on (with click stop)
S20	BMH9505	Hinge	Door Hinge Assembly, LH	MGB & GT, 1976 on (with click stop)
S21	HZA4212	Rear Deck	Rear Deck Assembly	MGB Roadster, 1962 on (all, requires piercing and reinforcement for earlier type clip-on static seat belts)
S22	HZA4217	Valance	Valance, Rear, 'Body Rear Lower'	MGB Roadster, 1962-74 (chrome bumper)
S22	HZA4850	Valance	Valance, Rear, 'Body Rear Lower'	MGB Roadster, 1974 on (rubber bumper)
S23	HZA352	Beading	Beading, Rear Wing Upper Joint	MGB & GT, 1962 on (all)
S24	BHH1821K	Armature	Armature, Rear Bumper, Assembly, With Clamp Plates	MGB & GT, 1974 on (rubber bumper)



British Motor Heritage holds over 1,000,000 original engineering drawings, unfortunately these were taken out of recorded archives from the British Motor Museum at Gaydon when Rover Group was sold.

MG Midget and Austin-Healey Sprite



To maintain the integrity of British Motor Heritage product, we are creating a digital archive of the original drawings for use by ourselves and the heritage specialists.

They were going to be destroyed but British Motor Heritage stepped in and took delivery of 4 x 40 foot containers full of drawings and drawing cabinets.

We have now embarked on digitising all of these drawings, it is a painstaking process but eventually we will have a full library of the drawings available.



Jointly nicknamed the 'Spridget' these models were extremely popular with a grand total of 352,732 produced between 1958 and 1979, nearly as many as the MGB roadster. That's a lot of sports cars!

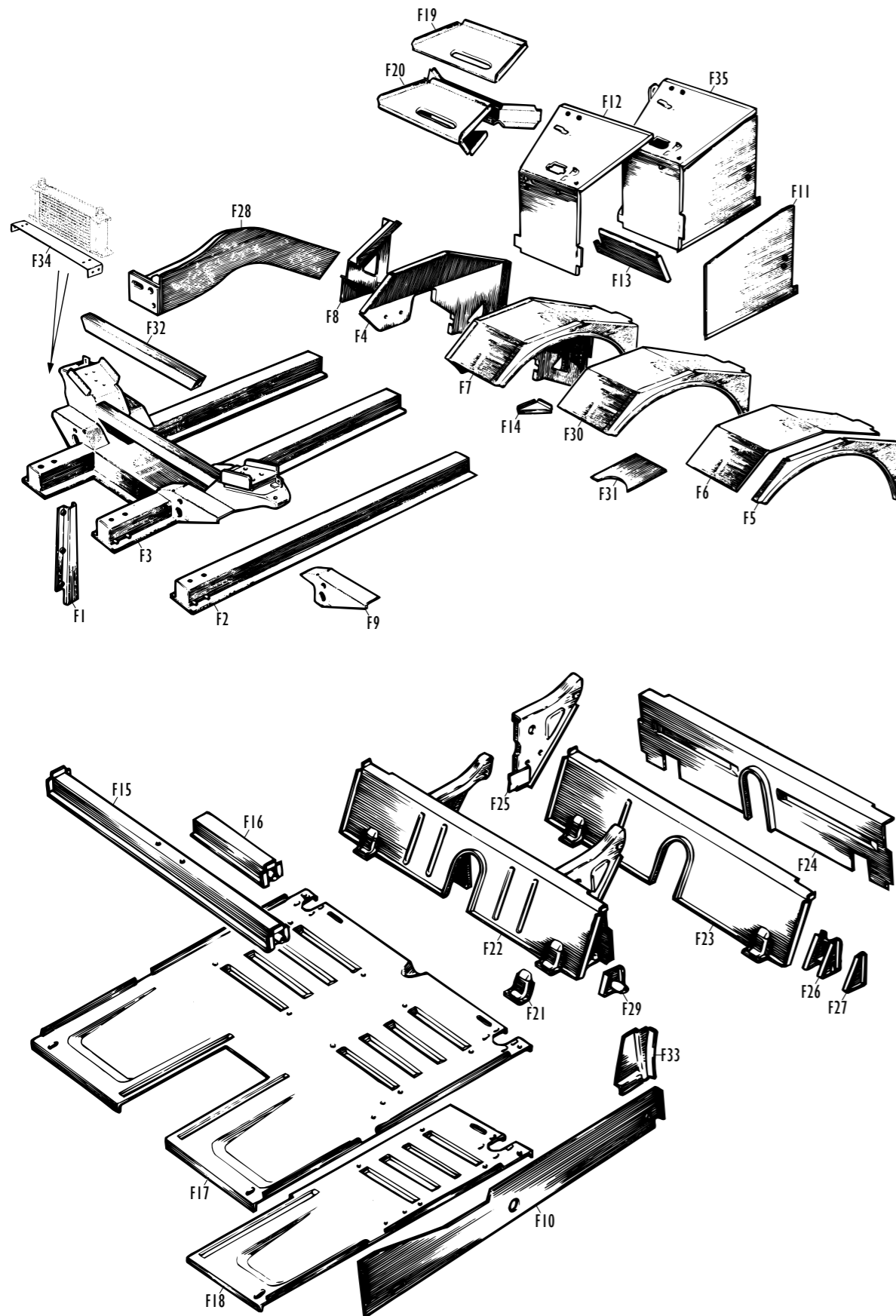
Monte Carlo Rally and the 1965 Sebring race. They were widely used by club competitors around the world and, being very compact and agile, were especially effective in autotesting.

Although overshadowed by the 'Big Healey' and the Mini Cooper S in BMC's competition department, the Sprite and Midget have had their glory days, with class wins in events such as the 1961 RAC Rally, the 1963

British Motor Heritage manufactures all the body panels and complete bodyshells for Midgets and Sprites produced from 1966 onwards and many parts for pre-1966 models.



MG Midget Front Centre Body

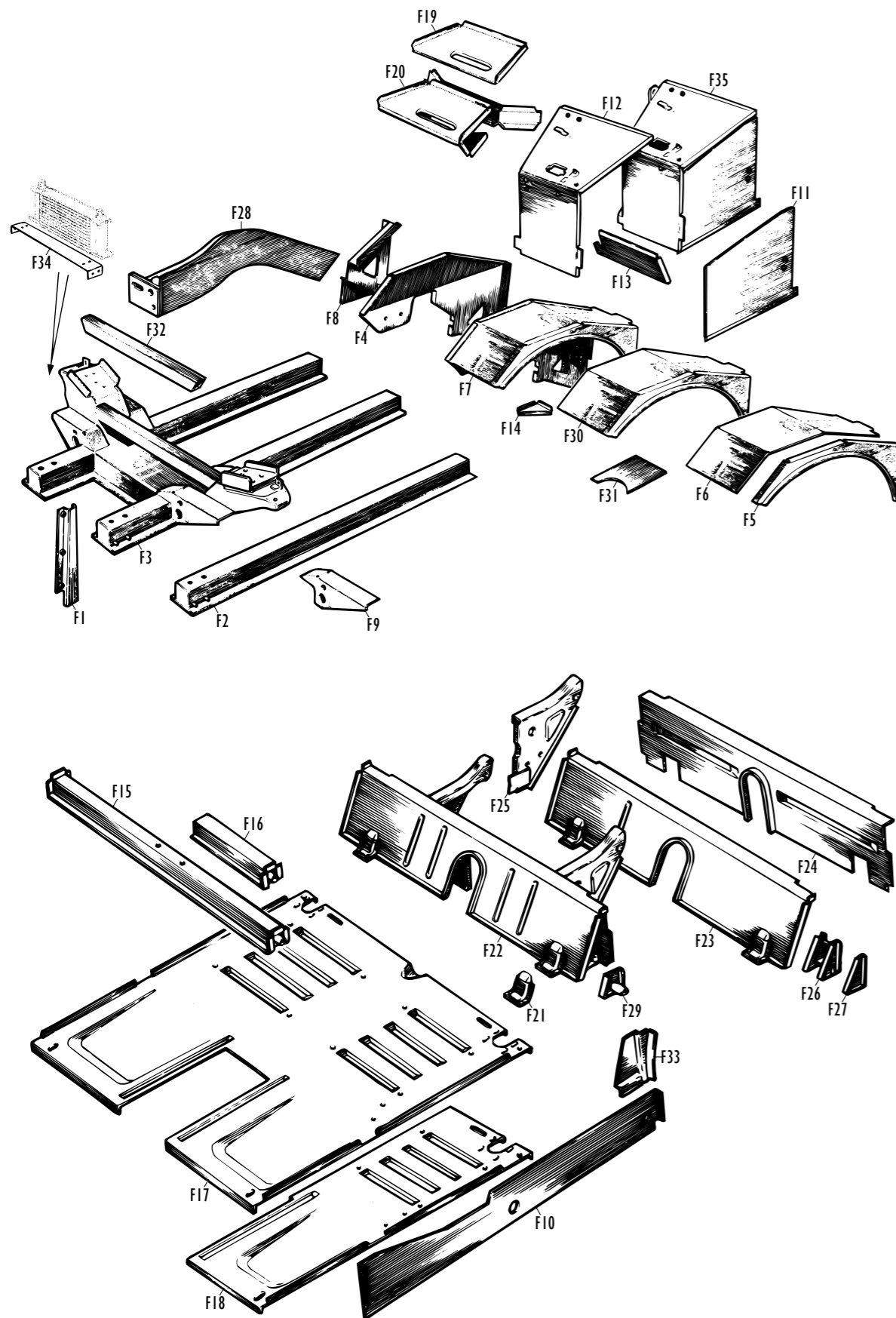


MG Midget Front Centre Body continued

KEY	ITEM CODE	NAME	DESCRIPTION	APPLICATION
F1	AHA5624	Bracket	Bracket, Radiator Mounting, Assembly, RH	Midget/Sprite, 1961-79 (all except Sprite MkI)
F1	AHA5626	Bracket	Bracket, Radiator Mounting, Assembly, LH	Midget/Sprite, 1961-79 (all except Sprite MkI)
F2	AHA5628	Sidemember	Sidemember, Front, assembly, RH	Midget/Sprite, 1961-74 (all chrome bumper models except Sprite MkI, may be used on Sprite MkI with modification)
F2	AHA5630	Sidemember	Sidemember, Front, assembly, LH	Midget/Sprite, 1961-74 (all chrome bumper models except Sprite MkI, may be used on Sprite MkI with modification)
F2	BMH8030	Sidemember	Sidemember, Front, assembly, RH	Midget, 1974-79 (all rubber bumper models)
F2	BMH8031	Sidemember	Sidemember, Front, assembly, LH	Midget, 1974-79 (all rubber bumper models)
F3	28G118	Underframe	Underframe, Front, Chassis Frame Only, 'H Frame'	Midget/Sprite, 1961-74 (all chrome bumper models except Sprite MkI, may be used on Sprite MkI with modification)
F3	CZJ676	Underframe	Underframe, Front, Chassis Frame Only, 'H Frame'	Midget, 1974-79 (all rubber bumper models)
F4	BMH8022	Wheelarch	Wheelarch, Front, Inner Panel Only, RH	Midget, 1974-79 (all rubber bumper models)
F4	BMH8023	Wheelarch	Wheelarch, Front, Inner Panel Only, LH	Midget, 1974-79 (all rubber bumper models)
F4	CZJ192	Wheelarch	Wheelarch, Front, Inner Panel Only, RH	Midget/Sprite, 1961-74 (all chrome bumper models except Sprite MkI, may be used on Sprite MkI with modification)
F4	CZJ193	Wheelarch	Wheelarch, Front, Inner Panel Only, LH	Midget/Sprite, 1961-74 (all chrome bumper models except Sprite MkI, may be used on Sprite MkI with modification)
F5	AHA5715	Wheelarch	Wheelarch, Front, Outer Panel Only, RH	Midget/Sprite, 1961-79 (all except Sprite MkI, may be used on Sprite MkI with modification)
F5	AHA5716	Wheelarch	Wheelarch, Front, Outer Panel Only, LH	Midget/Sprite, 1961-79 (all except Sprite MkI, may be used on Sprite MkI with modification)
F6	CZJ194	Wheelarch	Wheelarch, Front, Upper Panel Only, RH	Midget/Sprite, 1958-79 (all)
F6	CZJ189	Wheelarch	Wheelarch, Front, Upper Panel Only, LH	Midget/Sprite, 1958-79 (all)
F7	CZJ432	Wheelarch	Wheelarch, Front, Complete Assembly, RH	Midget/Sprite, 1961-74 (all chrome bumper models except Sprite MkI, may be used on Sprite MkI with modification)
F7	CZJ433	Wheelarch	Wheelarch, Front, Complete Assembly, LH	Midget/Sprite, 1961-74 (all chrome bumper models except Sprite MkI, may be used on Sprite MkI with modification)
F7	CZJ682	Wheelarch	Wheelarch, Front, Complete Assembly, RH	Midget, 1974-79 (all rubber bumper models)
F7	CZJ683	Wheelarch	Wheelarch, Front, Complete Assembly, LH	Midget, 1974-79 (all rubber bumper models)
F8	AHA5436	Support	Triangular Web, Wheelarch Inner Supporting, RH	Midget/Sprite, 1961-74 (all chrome bumper models except Sprite MkI, may be used on Sprite MkI with modification)
F8	AHA5403	Support	Triangular Web, Wheelarch Inner Supporting, LH	Midget/Sprite, 1961-74 (all chrome bumper models except Sprite MkI, may be used on Sprite MkI with modification)
F8	BMH8024	Support	Triangular Web, Wheelarch Inner Supporting, RH	Midget, 1974-79 (all rubber bumper models)
F8	BMH8025	Support	Triangular Web, Wheelarch Inner Supporting, LH	Midget, 1974-79 (all rubber bumper models)
F9	2A5462	Bracket	Link Bracket, Front Suspension, RH	Midget/Sprite, 1958-74 (all chrome bumper models, front position RH sidemember, rear position LH sidemember)
F9	2A5463	Bracket	Link Bracket, Front Suspension, LH	Midget/Sprite, 1958-74 (all chrome bumper models, rear position RH sidemember, front position LH sidemember)
F9	CZJ542	Bracket	Link Bracket, Front Suspension, RH	Midget, 1974 on (all rubber bumper models, front position RH sidemember, rear position LH sidemember)
F9	CZJ543	Bracket	Link Bracket, Front Suspension, LH	Midget, 1974 on (all rubber bumper models, rear position RH sidemember, front position LH sidemember)
F10	CZJ176	Sill	Sill Inner, RH	Midget/Sprite, 1958-79 (all, features rubber bumper condition two jacking point holes, may be used on chrome bumper models without problem)
F10	CZJ177	Sill	Sill Inner, LH	Midget/Sprite, 1958-79 (all, features rubber bumper condition two jacking point holes, may be used on chrome bumper models without problem)
F11	AHA5620	Footwell	Footwell Side, Outer, RH	Midget/Sprite, 1958-79 (all)
F11	AHA5622	Footwell	Footwell Side, Outer, LH	Midget/Sprite, 1958-79 (all)
F12	CZJ170	Footwell	Footwell Front & Top, RH	Midget/Sprite, 1964-74 (all chrome bumper models with separate brake and clutch master cylinders)
F12	CZJ171	Footwell	Footwell Front & Top, LH	Midget/Sprite, 1964-74 (all chrome bumper models with separate brake and clutch master cylinders)
F12	CZJ731	Footwell	Footwell Front & Top, RH	Midget, 1974-79 (all rubber bumper models)



MG Midget Front Centre Body

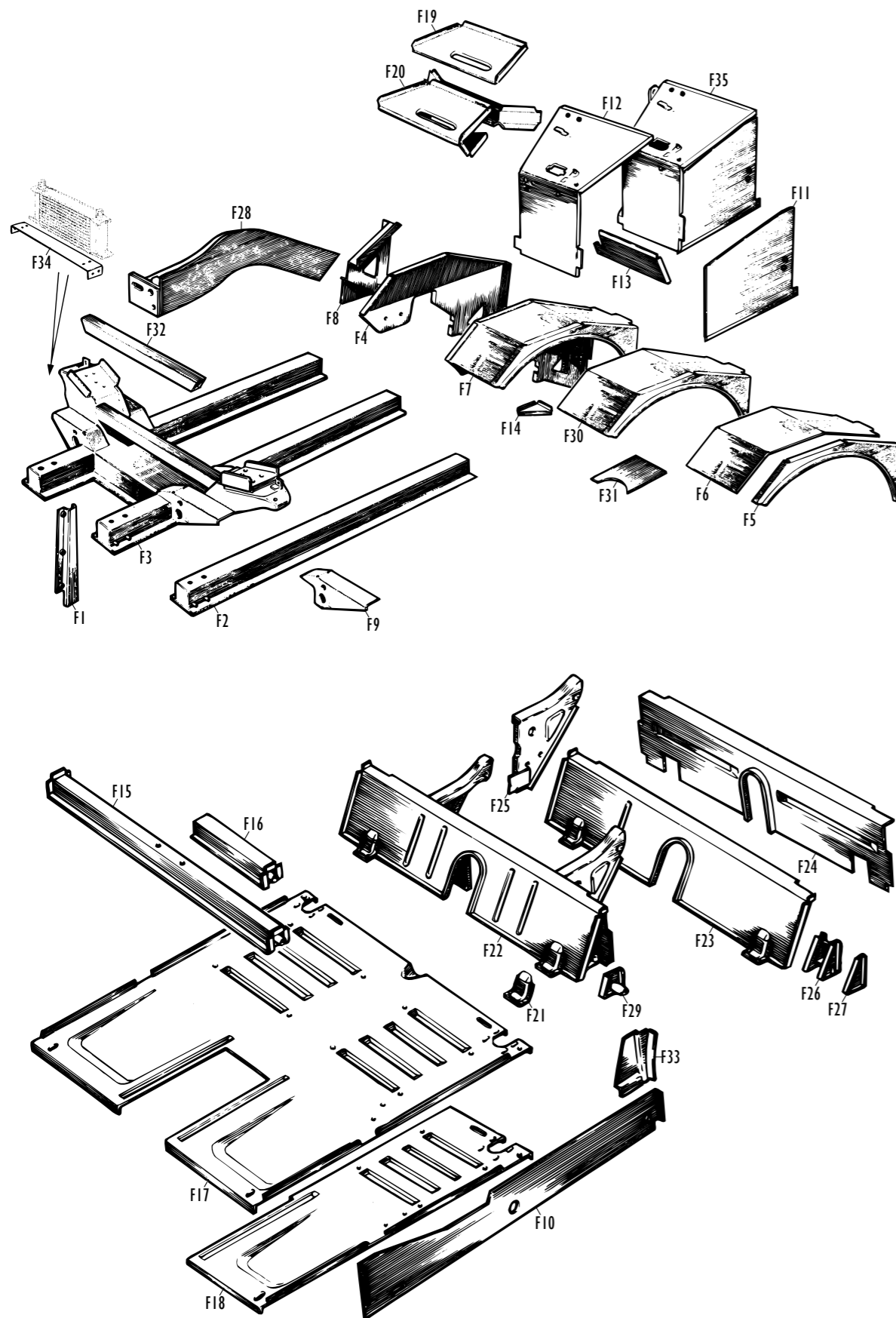


MG Midget Front Centre Body continued

KEY	ITEM CODE	NAME	DESCRIPTION	APPLICATION
F12	CZJ575	Footwell	Footwell Front & Top, LH	Midget, 1974-79 (all rubber bumper models)
F13	2A5550	Toeboard	Toeboard, Inner, RH	Midget/Sprite, 1958-79 (all)
F13	2A5551	Toeboard	Toeboard, Inner, LH	Midget/Sprite, 1958-79 (all)
F14	AHA5404	Gusset	Corner Gusset, Front Wheelarch, RH	Midget/Sprite, 1958-79 (all)
F14	AHA5405	Gusset	Corner Gusset, Front Wheelarch, LH	Midget/Sprite, 1958-79 (all)
F15	2A5478	Crossmember	Crossmember, Centre, Full Width, Assembly	Midget/Sprite, 1958-79 (all)
F16	2A5478H	Crossmember	Crossmember, Centre, Half Width, Assembly	Midget/Sprite, 1958-79 (all)
F17	AHA7202	Floor	Floor, Main, Full Width, Assembly	Midget/Sprite, 1964-79 (all models with semi-elliptic rear springs)
F18	HMP415033	Floor	Floor, Main, Half Width, Assembly, RH	Midget/Sprite, 1964-79 (all models with semi-elliptic rear springs)
F18	HMP415032	Floor	Floor, Main, Half Width, Assembly, LH	Midget/Sprite, 1964-79 (all models with semi-elliptic rear springs)
F19	CZJ174	Platform	Platform, Heater, Assembly	Midget/Sprite, 1970-79 (all models with heater with integral fan)
F20	BMH8019	Support	Support, Heater & Battery, Complete Assembly	Midget/Sprite, 1958-70 (all models with heater with separate fan)
F20	BMH8010	Support	Support, Heater & Battery, Complete Assembly	Midget/Sprite, 1970-79 (all models with heater with integral fan)
F21	AHA7210	Reinforcement	Reinforcement, Rear Bulkhead Spring Hanger	Midget/Sprite, 1964-79 (all models with semi-elliptic rear springs)
F22	AHA7203	Bulkhead	Bulkhead, Rear, Complete Assembly, 'Heelboard'	Midget/Sprite, 1964-79 (all models with semi-elliptic rear springs)
F23	BMH8005	Bulkhead	Bulkhead, Rear, Inner	Midget/Sprite, 1964-79 (all models with semi-elliptic rear springs)
F24	BMH8006	Bulkhead	Bulkhead, Rear, Outer	Midget/Sprite, 1964-79 (all models with semi-elliptic rear springs)
F25	AHA7306	Mounting	Mounting, Rear Shock Absorber, RH	Midget/Sprite, 1958-64 (all models with quarter elliptic rear springs)
F25	AHA7307	Mounting	Mounting, Rear Shock Absorber, LH	Midget/Sprite, 1958-64 (all models with quarter elliptic rear springs)
F25	AHA7879	Mounting	Mounting, Rear Shock Absorber, RH	Midget/Sprite, 1964-79 (all models with semi-elliptic rear springs)
F25	AHA7880	Mounting	Mounting, Rear Shock Absorber, LH	Midget/Sprite, 1964-79 (all models with semi-elliptic rear springs)
F26	AHA7208	Reinforcement	Reinforcement, Rear Bulkhead, Assembly	Midget/Sprite, 1964-79 (all models with semi-elliptic rear springs)
F27	2A5491	Reinforcement	Reinforcement Web, Rear Bulkhead, RH	Midget/Sprite, 1958-79 (all)
F27	2A5492	Reinforcement	Reinforcement Web, Rear Bulkhead, LH	Midget/Sprite, 1958-79 (all)
F28	CZJ586	Mounting	Mounting Beam, Front Bumper, RH	Midget, 1974-79 (all rubber bumper models)
F28	CZJ587	Mounting	Mounting Beam, Front Bumper, LH	Midget, 1974-79 (all rubber bumper models)
F29	CZJ692	Bracket	Bracket, Jacking Point, Rear, RH	Midget, 1975-79 (twin jacking point, 1975 onwards rubber bumper models, not 1974 rubber bumper models)
F29	CZJ693	Bracket	Bracket, Jacking Point, Rear, LH	Midget, 1975-79 (twin jacking point, 1975 onwards rubber bumper models, not 1974 rubber bumper models)
F30	BMH8012	Wheelarch	Wheelarch, Front, Upper & Outer Assembly, RH	Midget/Sprite, 1961-79 (all except Sprite MkI, may be used on Sprite MkI with modification)
F30	BMH8013	Wheelarch	Wheelarch, Front, Upper & Outer Assembly, LH	Midget/Sprite, 1961-79 (all except Sprite MkI, may be used on Sprite MkI with modification)
F31	AHA5465	Splash Plate	Splash Plate, Web to Front Sidemember, RH	Midget/Sprite, 1961-79 (all except Sprite MkI)
F31	AHA5466	Splash Plate	Splash Plate, Web to Front Sidemember, LH	Midget/Sprite, 1961-79 (all except Sprite MkI)
F32	BMH8007	Mounting	Mounting Rail, Steering Rack	Midget/Sprite, 1961-74 (all chrome bumper models, except Sprite MkI)
F33	AHA7304	Reinforcement	Reinforcement, B Post to Rear Wheelarch, RH	Midget/Sprite, 1958-79 (all)
F33	AHA7305	Reinforcement	Reinforcement, B Post to Rear Wheelarch, LH	Midget/Sprite, 1958-79 (all)



MG Midget Front Centre Body



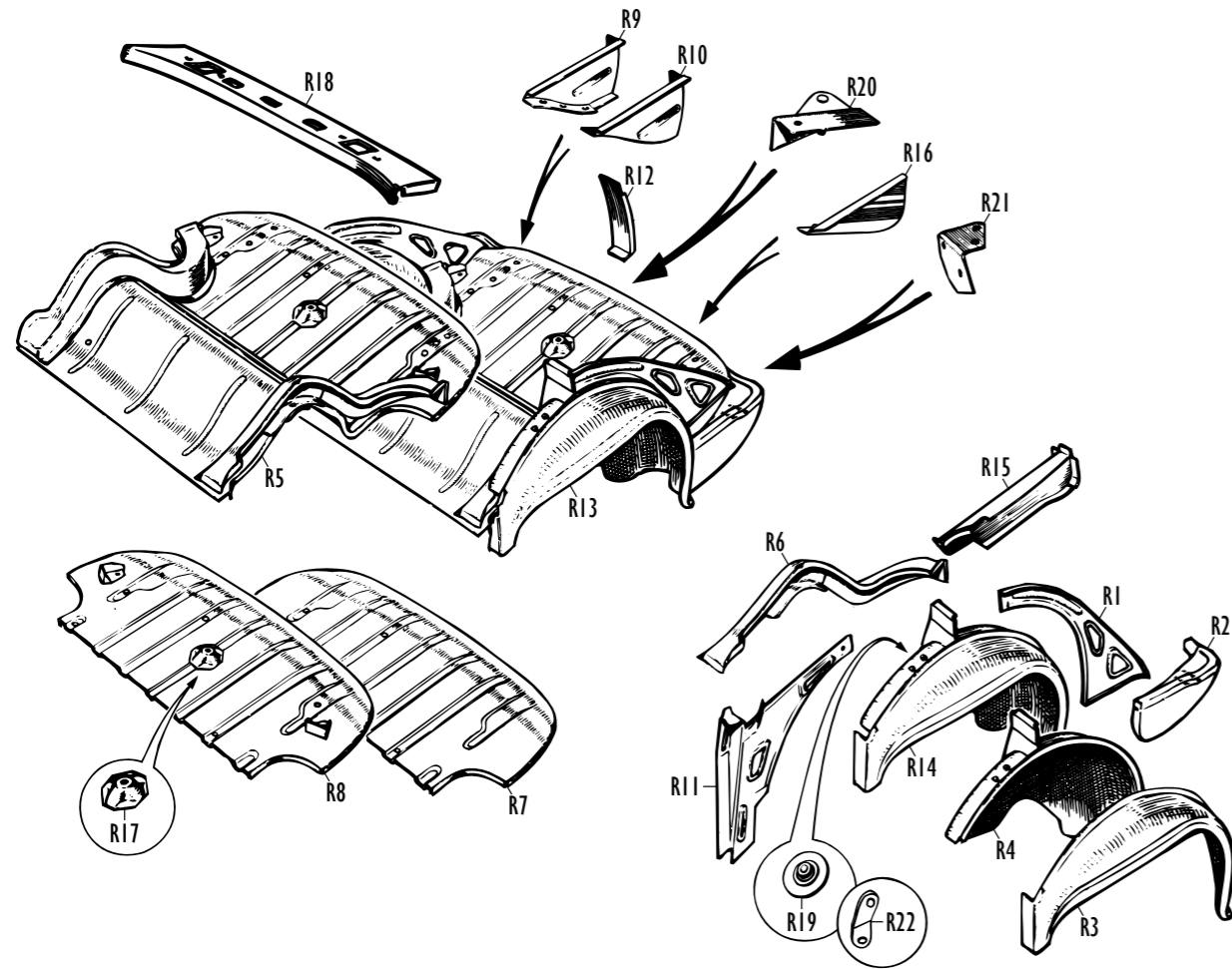
MG Midget Front Centre Body continued

KEY	ITEM CODE	NAME	DESCRIPTION	APPLICATION
F34	AHA8386	Bracket	Bracket, Oil Cooler Support	Midget/Sprite, 1958-79 (will fit all, original fitment for 1966-74 1275cc models)
F35	AHA8284	Footwell	Footwell, Complete Assembly, RH	Midget/Sprite, 1964-74 (all chrome bumper models with separate brake and clutch master cylinders)
F35	AHA8285	Footwell	Footwell, Complete Assembly, LH	Midget/Sprite, 1964-74 (all chrome bumper models with separate brake and clutch master cylinders)

Pictured below are just some of the original tooling and jigs maintained and used by BMH



MG Midget Rear Body



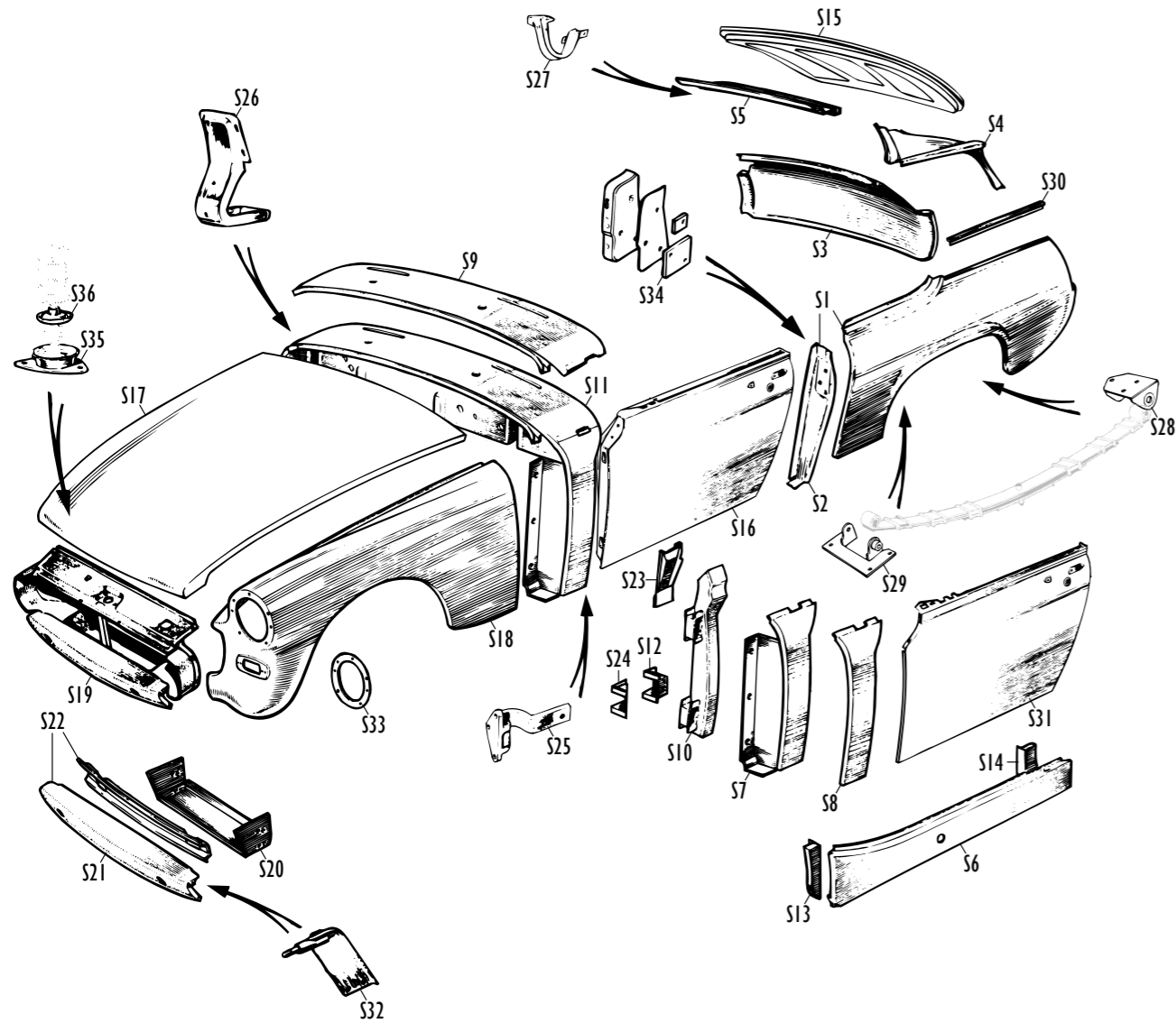
KEY	ITEM CODE	NAME	DESCRIPTION	APPLICATION
R1	AHA8035	Quarter Panel	Quarter Panel, Rear Wheelarch to Boot Floor, RH	Midget/Sprite, 1961-74 (all chrome bumper models except Sprite Mkl)
R1	AHA8036	Quarter Panel	Quarter Panel, Rear Wheelarch to Boot Floor, LH	Midget/Sprite, 1961-74 (all chrome bumper models except Sprite Mkl)
R2	AHA5837	Extension	Extension, Boot Floor, Assembly, RH	Midget/Sprite, 1961-79 (all models except Sprite Mkl)
R2	AHA5838	Extension	Extension, Boot Floor, Assembly, LH	Midget/Sprite, 1961-79 (all models except Sprite Mkl)
R3	AHA5735	Wheelarch	Wheelarch, Rear, Outer, RH	Midget/Sprite, 1961-79 (all models except Sprite Mkl and 1972-74 round rear wheelarch models)
R3	AHA5736	Wheelarch	Wheelarch, Rear, Outer, LH	Midget/Sprite, 1961-79 (all models except Sprite Mkl and 1972-74 round rear wheelarch models)
R3	BMH8020	Wheelarch	Wheelarch, Rear, Outer, RH	Midget, 1972-74 (1275cc models with round rear wheelarch)
R3	BMH8021	Wheelarch	Wheelarch, Rear, Outer, LH	Midget, 1972-74 (1275cc models with round rear wheelarch)
R4	BMH8014	Wheelarch	Wheelarch, Rear, Inner, Assembly, RH	Midget/Sprite, 1966-79 (1275cc chrome bumper models, plus all rubber bumper models)
R4	BMH8015	Wheelarch	Wheelarch, Rear, Inner, Assembly, LH	Midget/Sprite, 1966-79 (1275cc chrome bumper models, plus all rubber bumper models)
R5	BMH8016	Floor	Boot Floor, Assembly, With Cockpit Rear Floor	Midget/Sprite, 1967-74 (all chrome bumper models with cross box exhaust system, RHD 1970-74, LHD 1967-74 except North America)
R5	CZJ568	Floor	Boot Floor, Assembly, With Cockpit Rear Floor	Midget, 1974-79 (all rubber bumper models)
R6	AHA7240	Reinforcement	Reinforcement, Wheelarch to Boot Floor, RH	Midget/Sprite, 1964-79 (all models with semi-elliptic rear springs)

MG Midget Rear Body continued

KEY	ITEM CODE	NAME	DESCRIPTION	APPLICATION
R6	AHA7241	Reinforcement	Reinforcement, Wheelarch to Boot Floor, LH	Midget/Sprite, 1964-79 (all models with semi-elliptic rear springs)
R7	BMH8017	Floor	Boot Floor, Bare Panel, Without Cockpit Rear Floor	Midget/Sprite, 1958-79 (all models)
R8	BMH8058	Floor	Boot Floor, Assembly, Without Cockpit Rear Floor	Midget/Sprite, 1964-79 (all models with semi-elliptic rear springs)
R9	CZJ334	Reinforcement	Reinforcement, Rear Bumper Mounting, Outer, RH	Midget/Sprite, 1970-74 (all models with chrome rear quarter bumpers except North America 1974)
R9	CZJ335	Reinforcement	Reinforcement, Rear Bumper Mounting, Outer, LH	Midget/Sprite, 1970-74 (all models with chrome rear quarter bumpers except North America 1974)
R10	CZJ336	Reinforcement	Reinforcement, Rear Bumper Mounting, Inner, RH	Midget/Sprite, 1970-74 (all models with chrome rear quarter bumpers except North America 1974)
R10	CZJ337	Reinforcement	Reinforcement, Rear Bumper Mounting, Inner, LH	Midget/Sprite, 1970-74 (all models with chrome rear quarter bumpers except North America 1974)
R11	AHA8014	Quarter Panel	Quarter Panel, Rear Wheelarch to B Post, RH	Midget/Sprite, 1966-79 (1275cc chrome bumper models, plus all rubber bumper models)
R11	AHA8015	Quarter Panel	Quarter Panel, Rear Wheelarch to B Post, LH	Midget/Sprite, 1966-79 (1275cc chrome bumper models, plus all rubber bumper models)
R12	AHA5834	Reinforcement	Reinforcement, Boot Lid Striker	Midget/Sprite, 1961-79 (all models except Sprite Mkl)
R13	AHA8013	Underframe	Underframe, Rear, Complete Assembly	Midget/Sprite, 1964-72 (all chrome bumper models with semi elliptic rear springs and square rear wheelarches, needs rear cockpit bracket mods for 1964-65 models, floor not pierced for cross box exhaust)
R13	BMH8018	Underframe	Underframe, Rear, Complete Assembly	Midget, 1972-74 (all chrome bumper models with semi elliptic rear springs and round rear wheelarches)
R13	CZJ602	Underframe	Underframe, Rear, Complete Assembly	Midget, 1974-79 (all rubber bumper models)
R14	AHA8033	Wheelarch	Wheelarch, Rear, Inner & Outer Assembly, RH	Midget/Sprite, 1964-79 (all chrome bumper models with semi elliptic rear springs and square rear wheelarches 1964-72, all rubber bumper models, needs rear cockpit bracket mods for 1964-65 models)
R14	AHA8034	Wheelarch	Wheelarch, Rear, Inner & Outer Assembly, LH	Midget/Sprite, 1964-79 (all chrome bumper models with semi elliptic rear springs and square rear wheelarches 1964-72, all rubber bumper models, needs rear cockpit bracket mods for 1964-65 models)
R14	BMH8035	Wheelarch	Wheelarch, Rear, Inner & Outer Assembly, RH	Midget, 1972-74 (1275cc models with round rear wheelarch)
R14	BMH8036	Wheelarch	Wheelarch, Rear, Inner & Outer Assembly, LH	Midget, 1972-74 (1275cc models with round rear wheelarch)
R15	CZJ644	Mounting	Mounting Beam, Rear Bumper, RH	Midget, 1974-79 (all rubber bumper models)
R15	CZJ645	Mounting	Mounting Beam, Rear Bumper, LH	Midget, 1974-79 (all rubber bumper models)
R16	AHA5765	Reinforcement	Reinforcement, Rear Bumper Mounting	Midget/Sprite, 1961-69 (all chrome bumper models with full width, one piece rear bumper)
R17	AHA5741	Boss	Threaded Boss, Spare Wheel Clamp	Midget/Sprite, 1961-79 (all models except Sprite Mkl)
R18	AHA8017	Reinforcement	Reinforcement, Rear Deck	Midget/Sprite, 1966-79 (1275cc chrome bumper models, plus all rubber bumper models)
R19	HZA3931	Boss	Boss, Threaded, Seat Belt Mounting	Midget/Sprite, 1964-79 (all chrome bumper models with seat belts, all rubber bumper models)
R20	GEX7169	Bracket	Bracket, Exhaust Mounting to Boot Floor, RH	Midget/Sprite, 1967-72 (all chrome bumper models with cross box exhaust system & flared manifold joint, RHD 1970-72, LHD 1967-72 except North America)
R20	GEX7365	Bracket	Bracket, Exhaust Mounting to Boot Floor, RH	Midget/Sprite, 1972-74 (all chrome bumper models with cross box exhaust system & 3 stud manifold joint, all rubber bumper models)
R21	GEX7364	Bracket	Bracket, Exhaust Mounting to Boot Floor, LH	Midget/Sprite, 1972-74 (all chrome bumper models with cross box exhaust system & 3 stud manifold joint, all rubber bumper models)
R22	BMH8504	Bracket	Bracket, Inertia Reel Seat Belt Mounting, RH	Midget, 1972-79 (UK/Europe 1977-79, North America 1972-79, also used when fitting inertia reel seat belts to older models)
R22	BMH8505	Bracket	Bracket, Inertia Reel Seat Belt Mounting, LH	Midget, 1972-79 (UK/Europe 1977-79, North America 1972-79, also used when fitting inertia reel seat belts to older models)



MG Midget Skin Panels



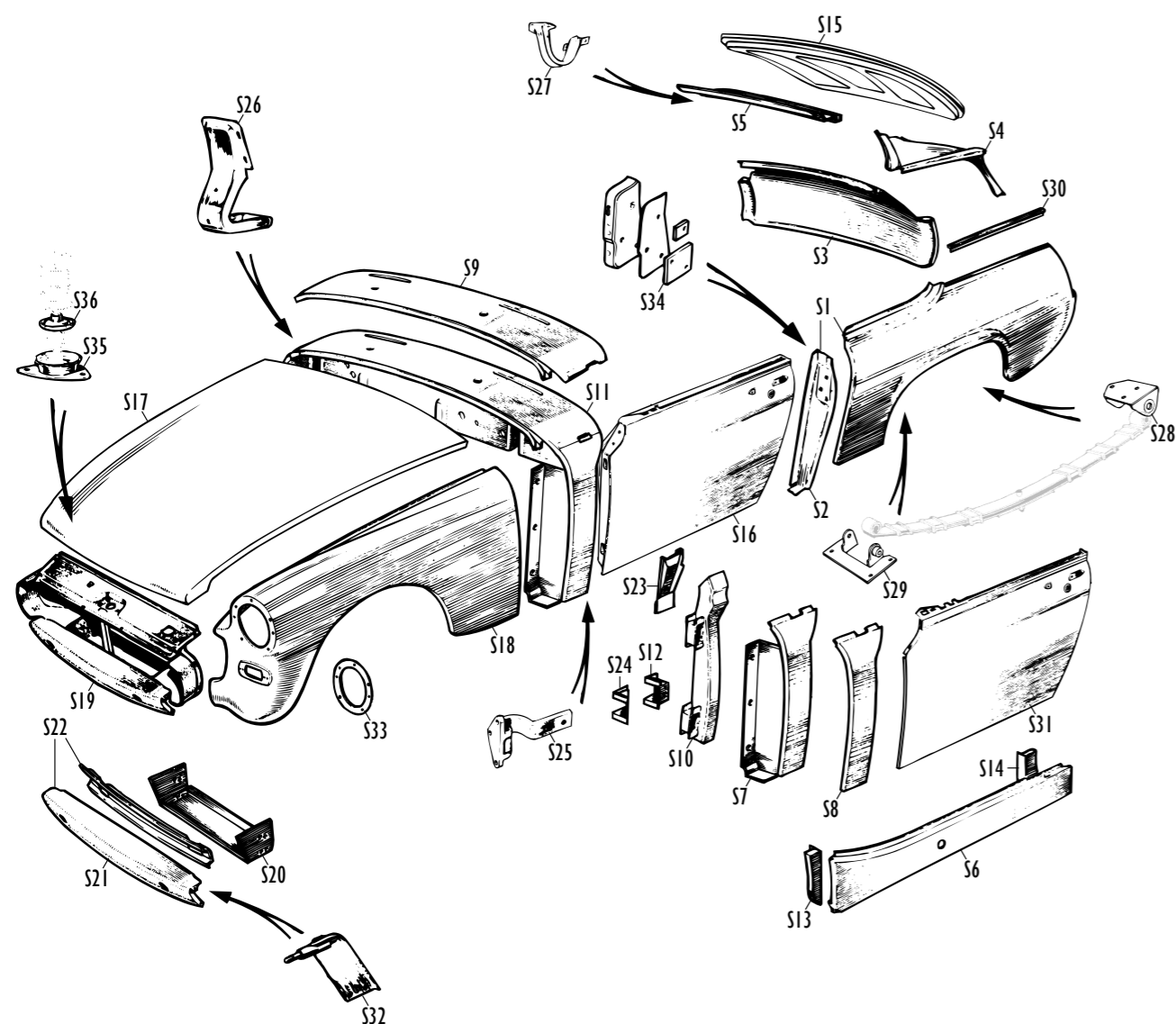
KEY	ITEM CODE	NAME	DESCRIPTION	APPLICATION
S1	CZJ220	Wing	Wing, Rear, Complete Assembly, RH	Midget/Sprite, 1966-71 (1275cc models with square rear wheelarch)
S1	CZJ221	Wing	Wing, Rear, Complete Assembly, LH	Midget/Sprite, 1966-71 (1275cc models with square rear wheelarch)
S1	CZJ220A	Wing	Wing, Rear, Assembly, Less B Post, RH	Midget/Sprite, 1966-71 (1275cc models with square rear wheelarch)
S1	CZJ221A	Wing	Wing, Rear, Assembly, Less B Post, LH	Midget/Sprite, 1966-71 (1275cc models with square rear wheelarch)
S1	CZJ408	Wing	Wing, Rear, Complete Assembly, RH	Midget, 1972-74 (1275cc models with round rear wheelarch)
S1	CZJ409	Wing	Wing, Rear, Complete Assembly, LH	Midget, 1972-74 (1275cc models with round rear wheelarch)
S1	CZJ590	Wing	Wing, Rear, Complete Assembly, RH	Midget, 1974-79 (all rubber bumper models)
S1	CZJ591	Wing	Wing, Rear, Complete Assembly, LH	Midget, 1974-79 (all rubber bumper models)
S2	AHA7229	B Post	B Post, RH	Midget/Sprite, 1964-79 (all models with semi-elliptic rear springs)

MG Midget Skin Panels continued

KEY	ITEM CODE	NAME	DESCRIPTION	APPLICATION
S2	AHA7230	B Post	B Post, LH	Midget/Sprite, 1964-79 (all models with semi-elliptic rear springs)
S3	AHA5750	Rear Panel	Rear Panel, 'Body Rear Lower'	Midget/Sprite, 1961-66 (all models with one piece chrome rear bumper without reversing lamps, features rear bumper and number plate lamp attachment piercings)
S3	BMH8502	Rear Panel	Rear Panel, 'Body Rear Lower'	Midget/Sprite, 1961-66 (all models with one piece chrome rear bumper without reversing lamps, panel supplied without reversing lamp, number plate lamp or bumper piercings)
S3	CZJ598	Rear Panel	Rear Panel, 'Body Rear Lower'	Midget, 1974-79 (all rubber bumper models)
S3	CZJ70	Rear Panel	Rear Panel, 'Body Rear Lower'	Midget/Sprite, 1970-74 (all models with chrome rear quarter bumpers)
S4	AHA8023	Shroud Side	Side Panel, Rear Shroud, RH, 'Picture Frame Side'	Midget/Sprite, 1966-79 (1275cc chrome bumper models, plus all rubber bumper models)
S4	AHA8024	Shroud Side	Side Panel, Rear Shroud, LH, 'Picture Frame Side'	Midget/Sprite, 1966-79 (1275cc chrome bumper models, plus all rubber bumper models)
S5	AHA8022	Rear Deck	Rear Deck, 'Picture Frame Front'	Midget/Sprite, 1966-79 (1275cc chrome bumper models, plus all rubber bumper models)
S6	AHA5552	Sill	Sill Outer, RH	Midget/Sprite, 1958-74 (single jacking point, no moulding or badge attachment holes, all chrome bumper models plus 1974 only rubber bumper models)
S6	AHA5553	Sill	Sill Outer, LH	Midget/Sprite, 1958-74 (single jacking point, no moulding or badge attachment holes, all chrome bumper models plus 1974 only rubber bumper models)
S6	CZJ694	Sill	Sill Outer, RH	Midget, 1975-79 (twin jacking point, 1975 onwards rubber bumper models, not 1974 rubber bumper models)
S6	CZJ695	Sill	Sill Outer, LH	Midget, 1975-79 (twin jacking point, 1975 onwards rubber bumper models, not 1974 rubber bumper models)
S6	HMP415048	Sill	Sill Outer, RH	Midget/Sprite, 1970-74, (single jacking point, with chrome moulding attachment holes, all chrome rear quarter bumper models plus 1970 only rubber bumper models)
S6	HMP415049	Sill	Sill Outer, LH	Midget/Sprite, 1970-74, (single jacking point, with chrome moulding attachment holes, all chrome rear quarter bumper models plus 1970 only rubber bumper models)
S7	AHA7955	Cover Panel	Cover Assembly, A Post, RH, 'Shroud Side'	Midget/Sprite, 1964-79 (all wind up window models)
S7	AHA7956	Cover Panel	Cover Assembly, A Post, LH, 'Shroud Side'	Midget/Sprite, 1964-79 (all wind up window models)
S8	AHA7957	Cover Panel	Cover Panel, A Post, RH, 'Shroud Side'	Midget/Sprite, 1964-79 (all wind up window models)
S8	AHA7958	Cover Panel	Cover Panel, A Post, LH, 'Shroud Side'	Midget/Sprite, 1964-79 (all wind up window models)
S9	AHA7954	Shroud	Shroud Top, 'Scuttle'	Midget/Sprite, 1964-74 (all chrome bumper models with wind up windows, requires modification for North America 1968-74)
S9	CZJ724	Shroud	Shroud Top, 'Scuttle'	Midget, 1974-79 (all rubber bumper models, requires modification for North America)
S10	AHA7238	A Post	A Post Assembly, RH	Midget/Sprite, 1964-79 (all wind up window models)
S10	AHA7239	A Post	A Post Assembly, LH	Midget/Sprite, 1964-79 (all wind up window models)
S11	AHA8809	Shroud	Shroud Complete Assembly, With A Posts	Midget/Sprite, 1964-79 (all wind up window models, requires modification for North America 1968-79)
S12	CZJ258	Bracket	Bracket, Check Strap & Courtesy Lamp Switch	Midget/Sprite, 1970-79 (all models with chrome rear quarter bumpers, plus all rubber bumper models)
S13	14A4620	Filler Piece	Filler Piece, Front, Sill Outer, RH	Midget/Sprite, 1958-79 (all)
S13	14A4621	Filler Piece	Filler Piece, Front, Sill Outer, LH	Midget/Sprite, 1958-79 (all)
S14	14A4623	Filler Piece	Filler Piece, Rear, Sill Outer, RH	Midget/Sprite, 1958-79 (all)
S14	14A4624	Filler Piece	Filler Piece, Rear, Sill Outer, LH	Midget/Sprite, 1958-79 (all)
S15	CZJ351	Boot Lid	Boot Lid, Assembly	Midget/Sprite, 1961-79 (all models except Sprite Mk1)
S16	BMH8000	Door	Door Assembly, RH	Midget/Sprite, 1967-79 (all 1275cc chrome bumper models except 1966 models with early type door locks, all rubber bumper models. Does not include North America side impact bar)
S16	BMH8001	Door	Door Assembly, LH	Midget/Sprite, 1967-79 (all 1275cc chrome bumper models except 1966 models with early type door locks, all rubber bumper models. Does not include North America side impact bar)



MG Midget Skin Panels



MG Midget Skin Panels continued

KEY	ITEM CODE	NAME	DESCRIPTION	APPLICATION
S17	CZJ380	Bonnet	Bonnet Assembly	Midget/Sprite, 1961-77 (all models except Sprite Mk1 through to early Midget rubber bumper, accepts bonnet buffers fixing with stud and nut, features alternative stay brackets)
S17	CZJ704	Bonnet	Bonnet Assembly	Midget, 1977 on (later rubber bumper models only, accepts self-attaching twist-in bonnet buffers)
S18	AHA7393	Wing	Wing, Front, Assembly, RH	Midget/Sprite, 1961-68 (all models with centre chrome bonnet moulding, 2" gap between headlamp and sidelamp)
S18	AHA5546	Wing	Wing, Front, Assembly, LH	Midget/Sprite, 1961-68 (all models with centre chrome bonnet moulding, 2" gap between headlamp and sidelamp)
S18	CZJ361	Wing	Wing, Front, Assembly, RH	Midget/Sprite, 1969-74 (all 1969 chrome bumper models without centre chrome bonnet moulding, plus 1970-74 chrome bumper models, 3" gap between headlamp and sidelamp)
S18	CZJ279	Wing	Wing, Front, Assembly, LH	Midget/Sprite, 1969-74 (all 1969 chrome bumper models without centre chrome bonnet moulding, plus 1970-74 chrome bumper models, 3" gap between headlamp and sidelamp)
S18	CZJ594	Wing	Wing, Front, Assembly, RH	Midget, 1974-79 (all rubber bumper models)
S18	CZJ595	Wing	Wing, Front, Assembly, LH	Midget, 1974-79 (all rubber bumper models)
S19	AHA5549	Front End	Front End, Complete Assembly	Midget/Sprite, 1961-74 (all chrome bumper models except Sprite Mk1)
S19	CZJ565	Front End	Front End, Complete Assembly	Midget, 1974-79 (all rubber bumper models)
S20	HMP415014	Tray	Mounting Tray, Assembly	Midget/Sprite, 1958-79 (all)
S21	BMH8026	Front Lower	Front Valance, Bare Panel, 'Body Front Lower'	Midget/Sprite, 1961-74 (all chrome bumper models except Sprite Mk1)
S21	CZJ530	Front Lower	Front Valance, Bare Panel, 'Body Front Lower'	Midget, 1974-79 (all rubber bumper models)
S22	BMH8027	Front Lower	Front Valance, Assembly, 'Body Front Lower'	Midget/Sprite, 1961-74 (all chrome bumper models except Sprite Mk1)
S22	HMP415011	Front Lower	Front Valance, Assembly, 'Body Front Lower'	Midget, 1974-79 (all rubber bumper models)
S23	AHA7422	Extension	Extension, A Post to Shroud, RH	Midget/Sprite, 1964-79 (all wind up window models)
S23	AHA7423	Extension	Extension, A Post to Shroud, LH	Midget/Sprite, 1964-79 (all wind up window models)
S24	BMH8110	Bracket	Bracket, Check Strap Reinforcement	Midget/Sprite, 1958-69 (all models without interior courtesy lamp)
S25	14A4677	Hinge	Hinge, Door, Assembly	Midget/Sprite, 1958-64 (all sidescreen models)
S25	BMH8500	Hinge	Hinge, Door, Assembly	Midget/Sprite, 1964-79 (all wind up window models)
S26	14A4684	Hinge	Hinge, Bonnet, Assembly	Midget/Sprite, 1958-79 (all models except North America 1968-79)
S27	AHA6314	Hinge	Hinge, Boot Lid, Assembly, RH	Midget/Sprite, 1961-79 (all models except Sprite Mk1)
S27	AHA6315	Hinge	Hinge, Boot Lid, Assembly, LH	Midget/Sprite, 1961-79 (all models except Sprite Mk1)
S28	AHA7201	Bracket	Bracket, Rear Spring Rear Shackle Mounting	Midget/Sprite, 1964-79 (all models with semi-elliptic rear springs)
S29	AHA7174	Bracket	Bracket, Rear Spring Front Eye Mounting	Midget/Sprite, 1964-79 (all models with semi-elliptic rear springs)
S30	AHA8025	Beading	Beading, Rear Wing to Shroud Side	Midget/Sprite, 1966-79 (1275cc chrome bumper models, plus all rubber bumper models)
S31	CZJ707	Door	Door Outer Panel, 'Skin', RH	Midget/Sprite, 1964-79 (all wind up window models)
S31	CZJ708	Door	Door Outer Panel, 'Skin', LH	Midget/Sprite, 1964-79 (all wind up window models)
S32	AHA5521	Bracket	Bracket Front Bumper Mounting, RH	Midget/Sprite, 1961-73 (all chrome bumper models except Sprite Mk1 and 1974)
S32	AHA5522	Bracket	Bracket Front Bumper Mounting, LH	Midget/Sprite, 1961-73 (all chrome bumper models except Sprite Mk1 and 1974)
S33	14A6693	Wing Repair	Wing Repair, Headlamp Mounting Ring, Round	Midget/Sprite, 1961-79 (genuine Mini headlamp ring, may be used as repair for Midget/Sprite except Sprite Mk1)
S34	ZKC5624	Plate	Plate, Tapped, Door Striker to B Post	Midget/Sprite, 1964-79 (all wind up window models)
S35	AHA5543	Cup	Cup, Bonnet Locking Pin Locating	Midget/Sprite, 1961-79 (all models except Sprite Mk1)
S36	4G3676	Thimble	Thimble, Bonnet Locking Pin	Midget/Sprite, 1961-79 (all models except Sprite Mk1)





The Morris Minor is a British economy family car that made its debut at the Earls Court Motor Show, London, in October 1948. Designed under the leadership of Alec Issigonis, more than 1.6 million were manufactured between 1948 and 1972 in three series: the Series MM (1948 to 1953), the Series II (1952 to 1956), and the 1000 series (1956 to 1971).

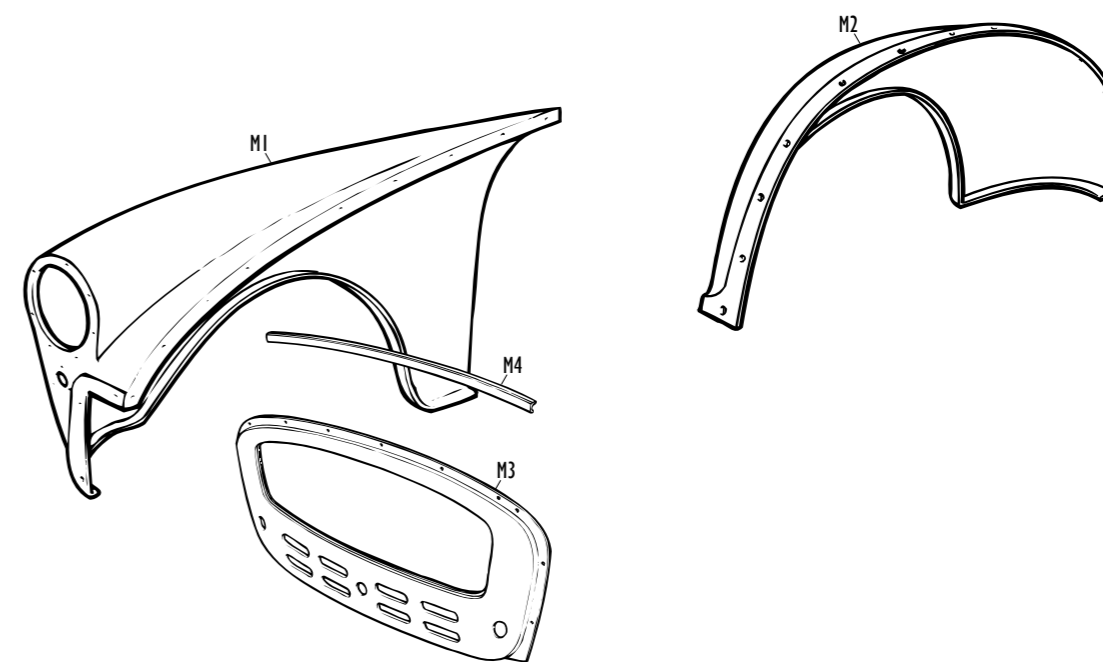
Initially available as a two-door saloon and tourer (convertible), the range was expanded to include a four-door saloon from September 1950. A wood-framed estate car (the Traveller) from October 1953 and panel van and pick-up truck variants from May 1953. It was

the first British car to sell over a million units, and is considered a classic example of automotive design, as well as typifying “Englishness”.

Although Morris launched a new model with a similar name and a similar market positioning, the Morris Mini in 1959, the Minor remained in production for more than a decade after that, and in early 2020, its 23-year production run was counted as the twenty-eighth most long-lived single generation car in history by Autocar magazine, who called it: “...a primary way Britain got back on the road after the Second World War.”



Morris Minor Panels



KEY	ITEM CODE	NAME	DESCRIPTION	APPLICATION
M1	ALA3064	Wing	Wing, Front, RH	All models, 1963-71 (all models with combined sidelamp and indicator)
M1	ALA3063	Wing	Wing, Front, LH	All models, 1963-71 (all models with combined sidelamp and indicator)
M2	ADA687	Wing	Wing, Rear, RH	All saloon and convertible models, 1956-71 (all 948cc & 1098cc models, 'small arch' wings)
M2	ADA688	Wing	Wing, Rear, LH	All saloon and convertible models, 1956-71 (all 948cc & 1098cc models, 'small arch' wings)
M2	ALA3068	Wing	Wing, Rear, RH	All Traveller models, 1952-71
M2	ALA3067	Wing	Wing, Rear, LH	All Traveller models, 1952-71
M3	ADA1602	Front Panel	Front Panel, 'Grille Panel'	All models, 1954-71 (all models with horizontal slatted radiator grille)
M4	AAA1908	Moulding	Moulding, Chrome, Upper, Front Panel Surround	All models, 1948-71 (later pressed moulding type)

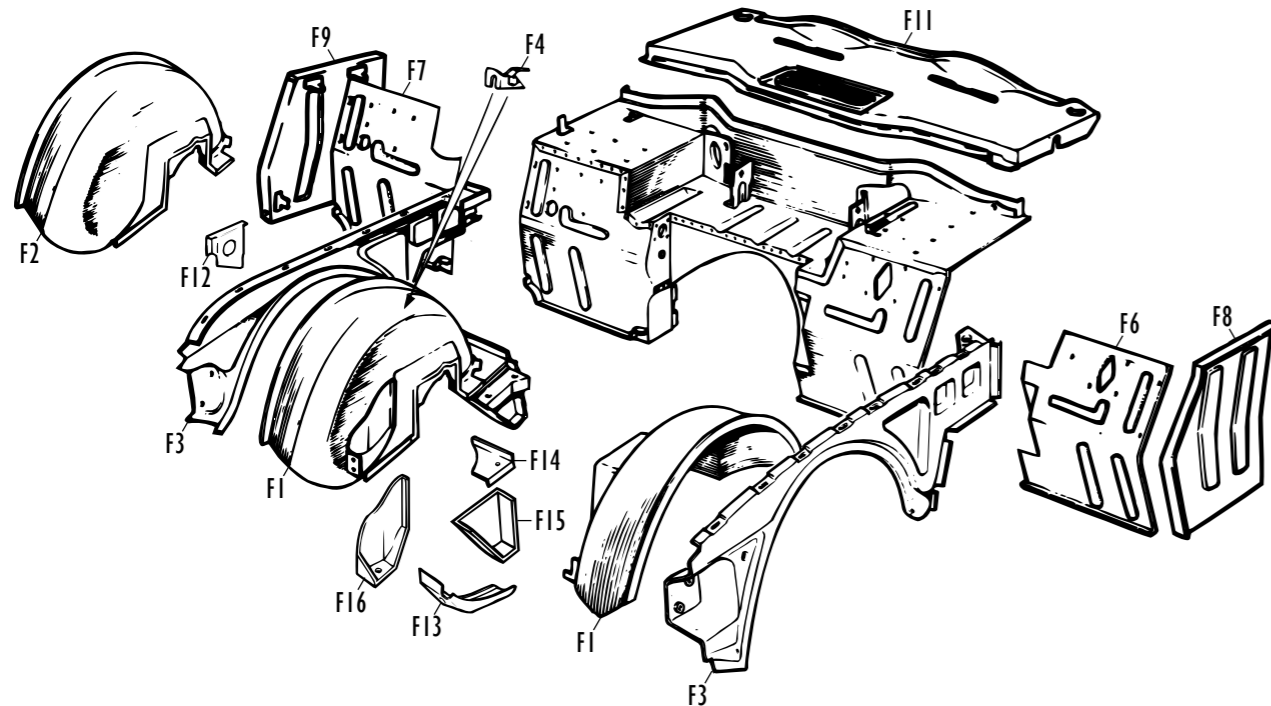




The Triumph TR6 was the ultimate incarnation of the chassis-based Triumph TR series that had begun in 1953 with the TR2. It ran from late 1968 to 1976, just under 95,000 were built, with 91% exported, mainly of course, to the US.

British Motor Heritage now has most of the body tooling and are able to supply body panels for restoring these brawny classic sports cars.

TR Front Inner Panels

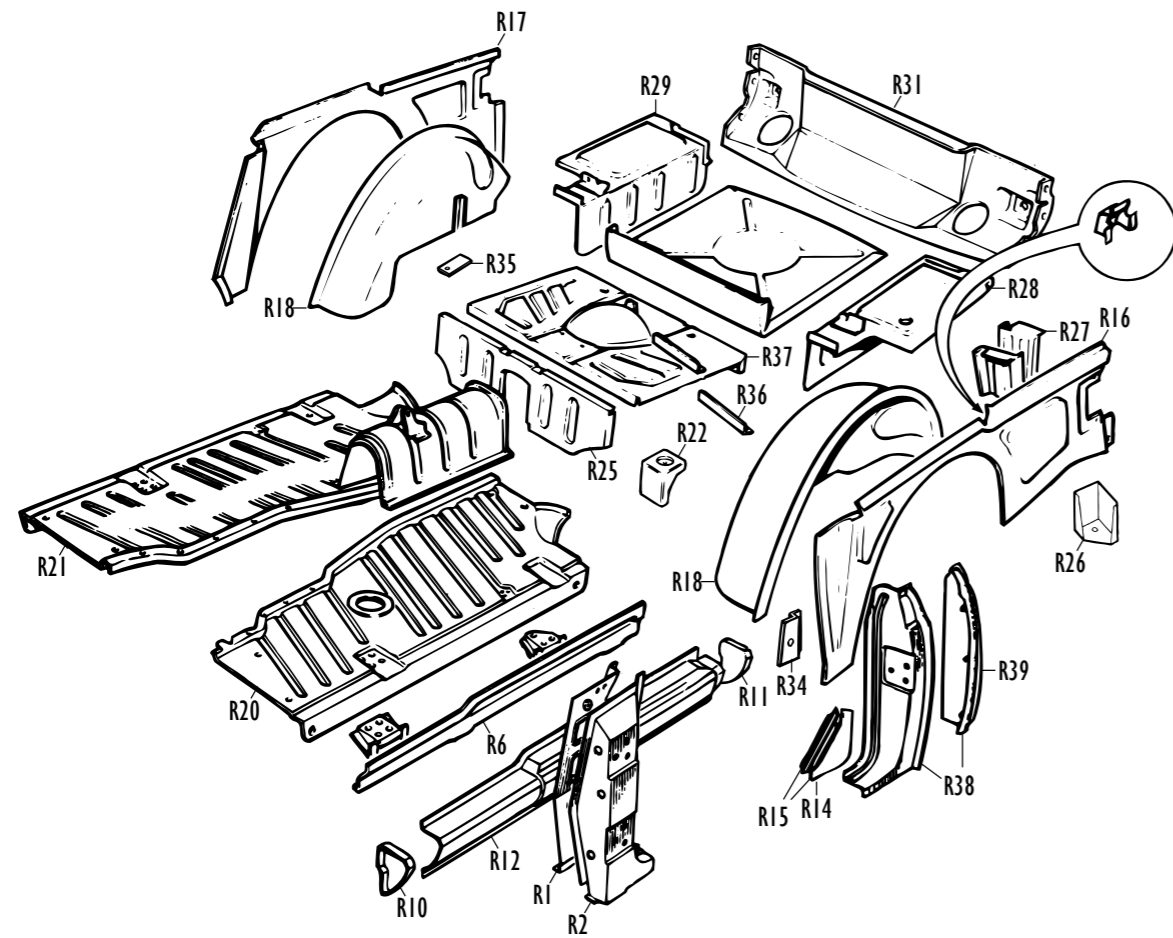


TR Front Inner Panels continued

KEY	ITEM CODE	NAME	DESCRIPTION	APPLICATION
F1	576478	Wheelarch	Wheelarch, Front, Assembly, RH	TR250-TR5, 1967-69 (all models), TR6, 1969-76 (all models), may also be used with modification on TR4-4A, 1961-67 (all models)
F1	576477	Wheelarch	Wheelarch, Front, Assembly, LH	TR250-TR5, 1967-69 (all models), TR6, 1969-76 (all models), may also be used with modification on TR4-4A, 1961-67 (all models)
F2	907098	Wheelarch	Wheelarch, Front, Bare Panel, RH	TR6, 1969-76 (all models), will fit TR4-TR250/TR5 with modification (reuse of brackets from old wheelarch being replaced)
F2	907097	Wheelarch	Wheelarch, Front, Bare Panel, LH	TR6, 1969-76 (all models), will fit TR4-TR250/TR5 with modification (reuse of brackets from old wheelarch being replaced)
F3	BMH7004	Inner Wing	Inner Wing Assembly, Front, RH	TR6, 1969-76 (all models)
F3	BMH7003	Inner Wing	Inner Wing Assembly, Front, LH	TR6, 1969-76 (all models)
F4	750229	Bracket	Bracket, Bonnet Stay, RH Wheelarch	TR4-TR6, 1961-76 (all)
F7	811979	Footwell	Footwell, Front, RH	TR6, 1969-76 (all RHD models)
F6	815836	Footwell	Footwell, Front, LH	TR6, 1969-76 (all RHD models)
F7	811981	Footwell	Footwell, Front, RH	TR6, 1969-76 (all LHD models)
F6	815837	Footwell	Footwell, Front, LH	TR6, 1969-76 (all LHD models)
F9	811986	End Panel	End Panel, Bulkhead, RH, 'Footwell Side'	TR4-TR6, 1961-76 (all)
F8	811985	End Panel	End Panel, Bulkhead, LH, 'Footwell Side'	TR4-TR6, 1961-76 (all)
F11	850352	Shroud	Shroud Panel, 'Scuttle'	TR4-TR250/TR5, 1961-69 (all models), TR6, 1969-72 (CP and CC models, accepts vent lid, not vent grille of later models)
F11	820499	Shroud	Shroud Panel, 'Scuttle'	TR6, 1972-76 (CR and CF models, accepts vent grille, not vent lid of earlier models)
F12	623589	Bracket	Bracket, Lifting Eye, Front Wheelarch, RH	TR4-TR6, 1961-76
F12	623588	Bracket	Bracket, Lifting Eye, Front Wheelarch, LH	TR4-TR6, 1961-76
F13	712398	Bracket	Bracket, Front Wheelarch to Body Mount, RH	TR6, 1969-76 (all)
F13	712397	Bracket	Bracket, Front Wheelarch to Body Mount, LH	TR6, 1969-76 (all)
F14	811480	Reinforcement	Reinforcement, Upper, Front Wheelarch, RH	TR250/TR5-TR6, 1967-76 (all)
F14	811485	Reinforcement	Reinforcement, Upper, Front Wheelarch, LH	TR250/TR5-TR6, 1967-76 (all)
F15	811494	Reinforcement	Reinforcement, Lower, Front Wheelarch, RH	TR250/TR5-TR6, 1967-76 (all)
F15	811493	Reinforcement	Reinforcement, Lower, Front Wheelarch, LH	TR250/TR5-TR6, 1967-76 (all)
F16	811704	Bracket	Bracket, Body Mounting, Front Wheelarch, Front, RH	TR250/TR5-TR6, 1967-76 (all)
F16	811703	Bracket	Bracket, Body Mounting, Front Wheelarch, Front, LH	TR250/TR5-TR6, 1967-76 (all)



TR Centre and Rear Inner Panels



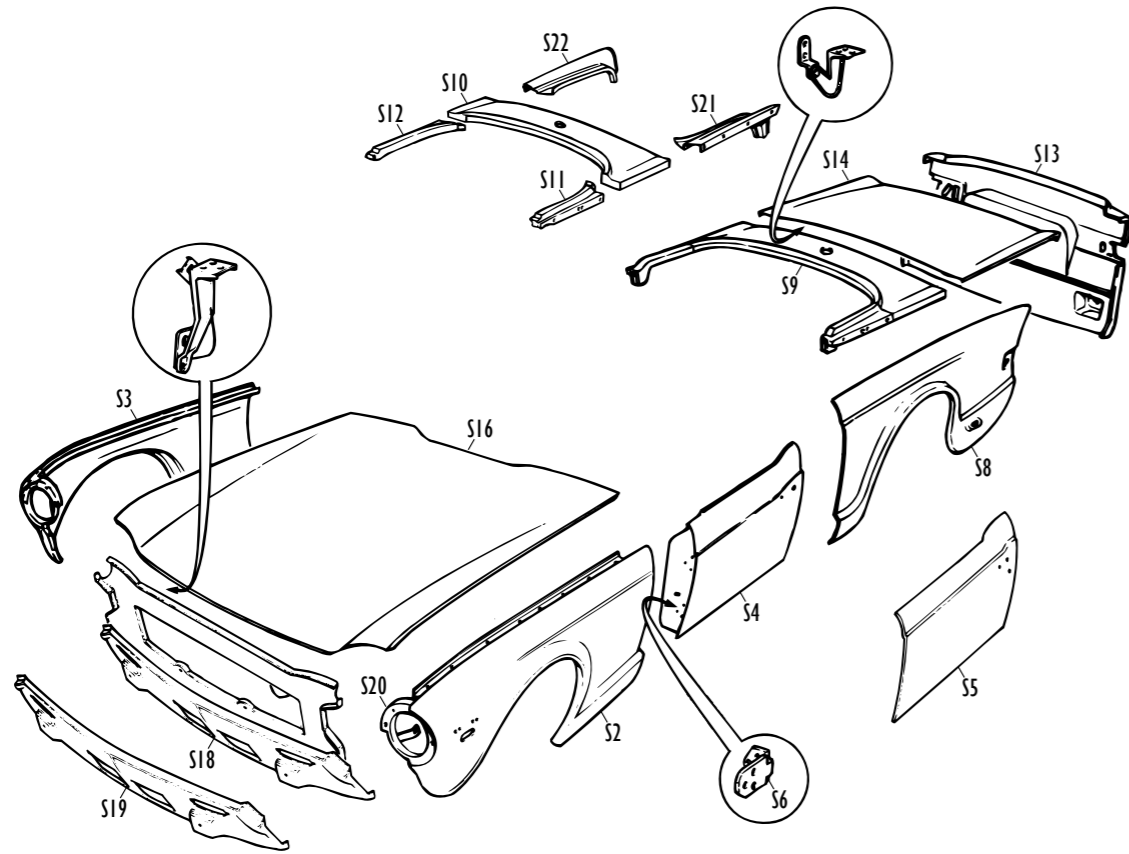
KEY	ITEM CODE	NAME	DESCRIPTION	APPLICATION
R1	850343	A Post	A Post, Inner, LH	TR4-TR6, 1961-76 (all models)
R1	850344	A Post	A Post, Inner, RH	TR4-TR6, 1961-76 (all models)
R2	813100	A Post	A Post, Outer, Assembly, LH	TR4-TR250/TR5, 1961-69 (all models), TR6, 1969-73 (up to CR2911 and CF12500, pierced for one courtesy light switch, may be used on later models by adding second switch piercing)
R2	813101	A Post	A Post, Outer, Assembly, RH	TR4-TR6, 1961-76 (all)
R6	850122	Sill	Sill, Inner, bare panel, LH	TR4-TR6, 1961-76 (all models, without wiring tags)
R6	850123	Sill	Sill, Inner, bare panel, RH	TR4-TR6, 1961-76 (all models, without wiring tags)
R6	907912	Sill	Sill, Inner, Assembly, LH	TR4-TR6, 1961-76 (all models, includes wiring tags)
R6	564807	Sill	Sill, Inner, Assembly, RH	TR4-TR6, 1961-76 (all models, includes wiring tags)
R10	750086	Filler Piece	Filler Piece, Front, Sill Outer, LH	TR4-TR6, 1961-76 (all)
R10	750087	Filler Piece	Filler Piece, Front, Sill Outer, RH	TR4-TR6, 1961-76 (all)
R11	750047	Filler Piece	Filler Piece, Rear, Sill Outer, LH	TR4-TR6, 1961-76 (all)
R11	750048	Filler Piece	Filler Piece, Rear, Sill Outer, RH	TR4-TR6, 1961-76 (all)
R12	850281	Sill	Sill, Outer, LH	TR4-TR6, 1961-76 (all)
R12	850282	Sill	Sill, Outer, RH	TR4-TR6, 1961-76 (all)
R14	611570	Gusset	Gusset, Sill to B Post	TR4-TR4A, 1961-67 (all models, flat plate, use with 611571 reinforcement)

TR Centre and Rear Panels continued

KEY	ITEM CODE	NAME	DESCRIPTION	APPLICATION
R15	621715	Gusset	Gusset, Sill to B Post, Assembly, LH	TR250/TR5-TR6, 1967-76 (all)
R15	621716	Gusset	Gusset, Sill to B Post, Assembly, RH	TR250/TR5-TR6, 1967-76 (all)
R16	815959	Quarter Panel	Quarter Panel, Rear, Inner, LH	TR6, 1969-76 (all)
R17	817564	Quarter Panel	Quarter Panel, Rear, Inner, RH	TR6, 1969-76 (all, features pocket for emissions equipment on later North American models)
R18	850425	Wheelarch	Wheelarch, Rear, LH	TR4, 1961-65 (all models)
R18	850426	Wheelarch	Wheelarch, Rear, RH	TR4, 1961-65 (all models)
R18	815957	Wheelarch	Wheelarch, Rear, LH	TR250-TR5, 1967-69 (all models), TR6, 1969-76 (all models)
R18	815958	Wheelarch	Wheelarch, Rear, RH	TR250-TR5, 1967-69 (all models), TR6, 1969-76 (all models)
R20	904005	Floor	Floor Panel, Main, LH	TR4A-TR6, 1965-76 (all models), may be fitted to TR4 models by piercing the rear mounting holes
R21	904006	Floor	Floor Panel, Main, RH	TR4A-TR6, 1965-76 (all models), may be fitted to TR4 models by piercing the rear mounting holes
R22	950008	Bracket	Bracket, Body Mounting, Seat Pan	TR250/TR5-TR6, 1967-76 (all models)
R25	850397	Heelboard	Heelboard Panel	TR4-TR6, 1961-76 (all models)
R26	900419	Bracket	Bracket, Body Mounting, Boot Floor, LH	TR2-TR3A, 1953-61 (all models)
R26	900420	Bracket	Bracket, Body Mounting, Boot Floor, RH	TR2-TR3A, 1953-61 (all models)
R27	750022	Bracket	Bracket, Body Mounting, Boot Floor	TR4-TR6, 1961-76 (all)
R28	910067	Floor	Side Panel, Rear Floor, LH	TR6, 1969-76 (all models)
R28	850470	Floor	Side Panel, Rear Floor, LH	TR4-TR250/TR5, 1961-68 (all models)
R29	910068	Floor	Side Panel, Rear Floor, RH	TR6, 1969-76 (all models)
R29	850471	Floor	Side Panel, Rear Floor, RH	TR4-TR250/TR5, 1961-68 (all models)
R31	908373	Valance	Valance Panel, Rear, Inner, 'Body Rear Lower'	TR6, 1969-76 (all models, also known as rear apron reinforcement)
R34	621328	Reinforcement	Reinforcement, Seat Belt Mounting, LH	TR250/TR5-TR6, 1967-76 (all)
R34	621329	Reinforcement	Reinforcement, Seat Belt Mounting, RH	TR250/TR5-TR6, 1967-76 (all)
R35	618376	Bracket	Bracket, Tunnel Cover Rear Support	TR4-TR6, 1961-76 (all)
R36	650271	Bracket	Bracket, Support, Rear Seat Squab Lower	TR4-TR6, 1961-76 (all models, unhandred part replaces previous RH & LH versions)
R37	910065	Floor	Seat Pan and Rear Floor, 'Rear Shelf'	TR4-TR6, 1961-76 (all models. Includes rear cockpit trim panel brackets, does not include differential cover 'bulge' which must be recovered from old seat pan)
R38	850275	B Post	B Post Assembly, Complete, LH	TR4-TR4A, 1961-67 (without seal channel)
R38	850276	B Post	B Post Assembly, Complete, RH	TR4-TR4A, 1961-67 (without seal channel)
R38	850275C	B Post	B Post Assembly, Complete, LH	TR4-TR4A, 1961-67 (with seal channel)
R38	850276C	B Post	B Post Assembly, Complete, RH	TR4-TR4A, 1961-67 (with seal channel)
R38	817412	B Post	B Post Assembly, Complete, LH	TR250/TR5-TR6, 1967-76 (all)
R38	817413	B Post	B Post Assembly, Complete, RH	TR250/TR5-TR6, 1967-76 (all)
R39	850421	B Post	B Post, Rear Section, LH	TR4-TR6, 1961-76 (all models. rear section only - without front facing section)
R39	850422	B Post	B Post, Rear Section, RH	TR4-TR6, 1961-76 (all models. rear section only - without front facing section)



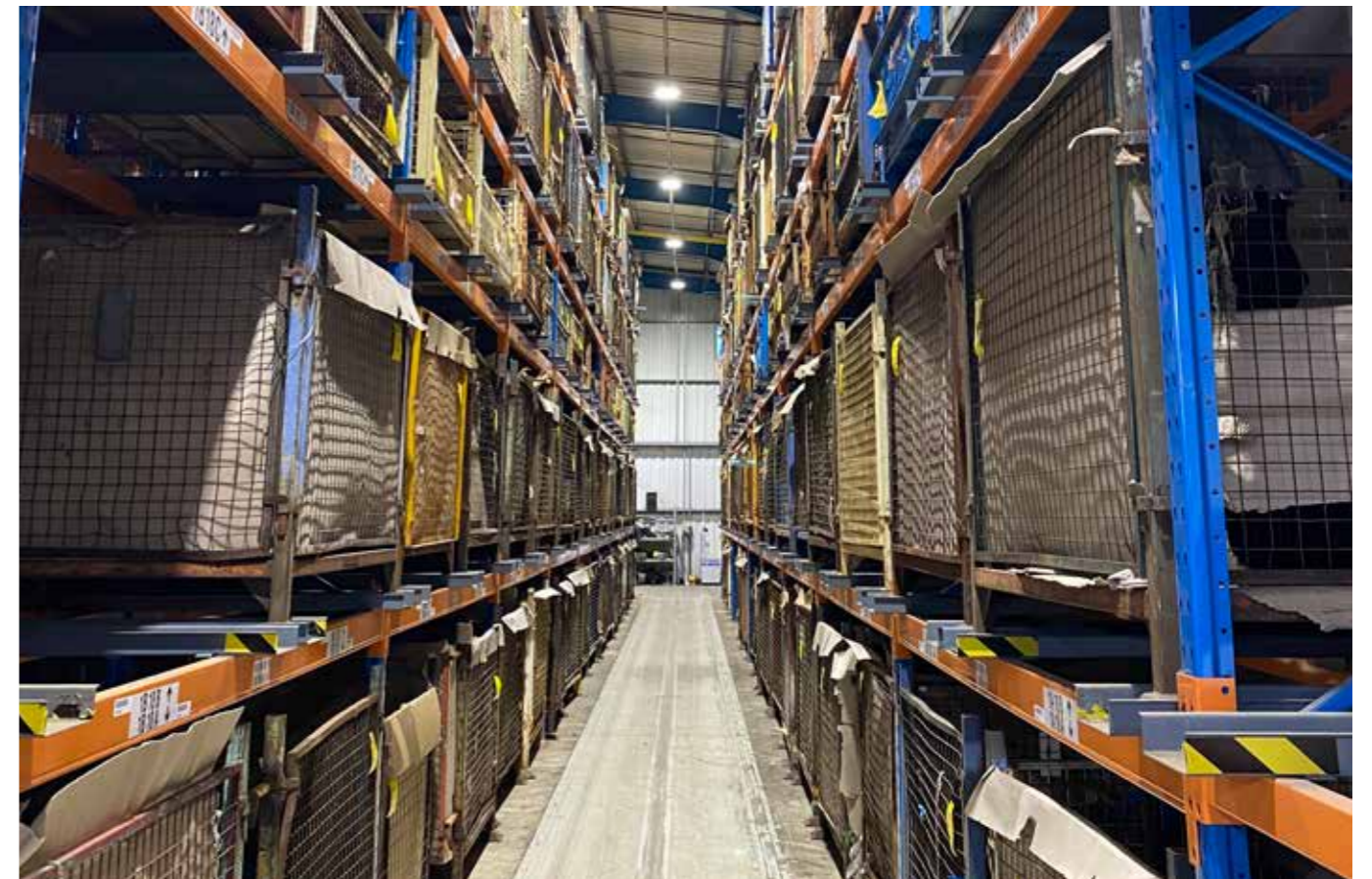
TR Skin Panels



KEY	ITEM CODE	NAME	DESCRIPTION	APPLICATION
S3	814017	Wing	Wing, Front, RH	TR6, 1969-75 (all CP and CR models, not North America)
S2	814016	Wing	Wing, Front, LH	TR6, 1969-75 (UK & Europe all CP and CR models 1969-75, North America all CC models 1969-72)
S3	XKC1812	Wing	Wing, Front, RH	TR6, 1974-76 (all North American CF models from CF27000 on, pierced for late model raised bumper height)
S2	XKC1811	Wing	Wing, Front, LH	TR6, 1974-76 (all North American CF models from CF27000 on, pierced for late model raised bumper height)
S4	907758	Door	Door Assembly, RH	TR250/TR5-TR6, 1967-76 (all, does not include side intrusion bar original for North American CR models, 1972-76), will fit TR4-TR4A with modifications
S4	907757	Door	Door Assembly, LH	TR250/TR5-TR6, 1967-76 (all, does not include side intrusion bar original for North American CR models, 1972-76), will fit TR4-TR4A with modifications
S5	812776	Door	Door Outer Panel, 'Skin', RH	TR250-TR5, 1967-69 (all models), TR6, 1969-76 (all models), may also be used with modification on TR4-4A, 1961-67 (all models)
S5	812775	Door	Door Outer Panel, 'Skin', LH	TR250-TR5, 1967-69 (all models), TR6, 1969-76 (all models), may also be used with modification on TR4-4A, 1961-67 (all models)
S5	950006	Door	Door Outer Panel, 'Skin', RH	TR4-TR4A, 1961-67 (all models, only pierced with large door handle hole, requires piercing of small door handle hole and lock hole)
S5	950005	Door	Door Outer Panel, 'Skin', LH	TR4-TR4A, 1961-67 (all models, only pierced with large door handle hole, requires piercing of small door handle hole and lock hole)
S6	650112	Hinge	Hinge Assembly, Door	TR4-TR6, 1961-76 (all models)
S8	815520	Wing	Wing, Rear, Assembly, RH	TR6, 1969-76 (all)
S8	815519	Wing	Wing, Rear, Assembly, LH	TR6, 1969-76 (all)
S9	813959	Rear Deck	Rear Deck, Assembly, With Forward Sections	TR6, 1969-76 (all)
S10	575642	Rear Deck	Rear Deck, Centre Section	TR6, 1969-76 (all models)
S12	815522	Forward Section	Forward Section, Rear Deck, Assembly, RH	TR4A-TR6, 1965-76 (all models), may be fitted in pairs to TR4 models

TR Skin Panels continued

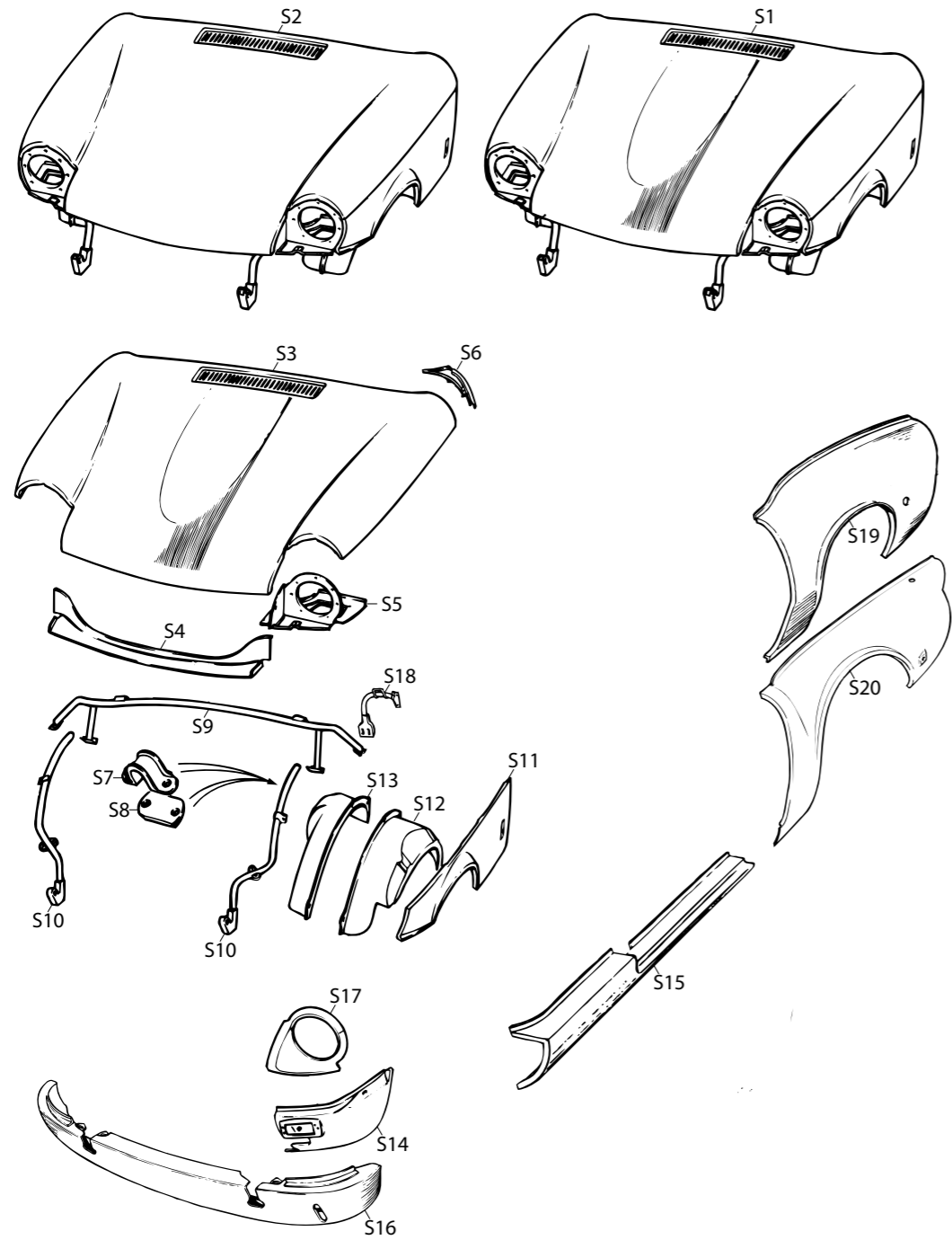
KEY	ITEM CODE	NAME	DESCRIPTION	APPLICATION
S11	815521	Forward Section	Forward Section, Rear Deck, Assembly, LH	TR4A-TR6, 1965-76 (all models), may be fitted in pairs to TR4 models
S12	813709	Forward Section	Forward Section, Rear Deck, Bare Panel, RH	TR4A-TR6, 1965-76 (all models), may be fitted in pairs to TR4 models
S11	813708	Forward Section	Forward Section, Rear Deck, Bare Panel, LH	TR4A-TR6, 1965-76 (all models), may be fitted in pairs to TR4 models
S13	813980	Valance	Rear Valance, Outer, Assembly, 'Back Panel'	TR6, 1969-72 (all CP and CC models, number plate lamp on bumper)
S13	XKC1814	Valance	Rear Valance, Outer, Assembly, 'Back Panel'	TR6, 1972-76 (all CR and CF models, number plate lamps in rear valance)
S14	813960	Boot Lid	Boot Lid, Assembly	TR6, 1969-76 (all)
S16	908406	Bonnet	Bonnet Assembly	TR6, 1969-76 (all models)
S18	814020	Valance	Valance Assembly, Front, 'Body Front Lower'	TR6, 1969-72 (all CP and CC models, not pierced for spoiler fitment, includes grille panel, also known as front apron)
S18	822701	Valance	Valance Assembly, Front, 'Body Front Lower'	TR6, 1972-75 (all UK/Europe CR models, pierced for spoiler fitment, includes grille panel, also known as front apron), TR6, 1972-74 (all North American CF models up to CF27000, pierced for spoiler fitment, not late model raised bumper height)
S18	XKC1813	Valance	Valance Assembly, Front, 'Body Front Lower'	TR6, 1974-76 (all North American CF models from CF27000 on, pierced for spoiler fitment and late model raised bumper height, includes grille panel, also known as front apron)
S19	908351	Valance	Valance Panel, Front, 'Body Front Lower'	TR6, 1969-72 (all CP and CC models, not pierced for spoiler fitment, does not include grille panel, also known as front apron), may be drilled for use on later models
S20	624268	Bracket	Bracket, Headlamp Mounting, Bare, RH	TR6, 1969-76 (all)
S20	624267	Bracket	Bracket, Headlamp Mounting, Bare, LH	TR6, 1969-76 (all)
S21	850007	Rear Deck	Rear Section, Rear Deck, LH	TR4-TR250/TR5, 1961-68, (all)
S22	850008	Rear Deck	Rear Section, Rear Deck, RH	TR4-TR250/TR5, 1961-68, (all)



Some of the storage facilities at our plant in Witney, Oxfordshire.



Spitfire and GT6 Panels



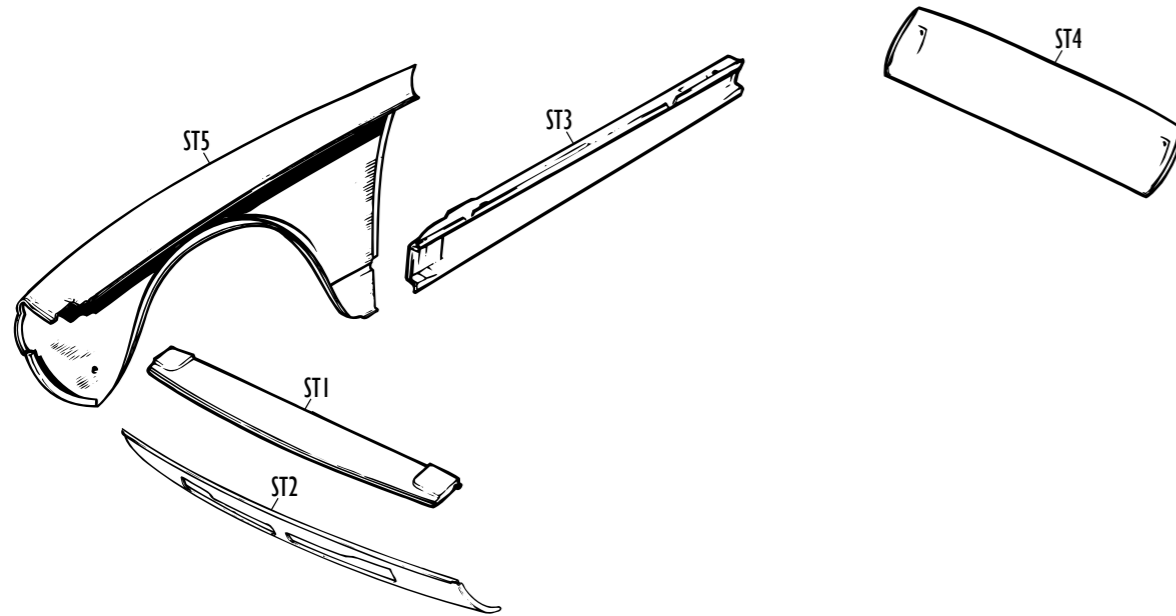
KEY	ITEM CODE	NAME	DESCRIPTION	APPLICATION
S1	913766	Bonnet	Bonnet Assembly	GT6 MkIII, 1970-73 (all models, requires piercing for marker lamps for North America)
S2	WKC3450	Bonnet	Bonnet Assembly	Spitfire MkIV/1500, 1970-80 (all models except North America 1976-80, will require piercing for marker lamps for North America 1970-76)
S2	XKC3747	Bonnet	Bonnet Assembly	Spitfire 1500, 1976-80 (North America only, FH60000 onwards)
S3	908500	Bonnet	Bonnet Panel, Main	GT6 MkIII, 1970-73 (all models, also known as bonnet centre)
S4	815010	Reinforcement	Reinforcement, Bonnet, Front	Spitfire MkIV/1500, 1970-80 (all models), GT6 MkIII, 1970-73 (all models)
S5	818872	Reinforcement	Reinforcement, Bonnet, Headlamp Mounting, RH	Spitfire MkIV/1500, 1970-80 (all models), GT6 MkIII, 1970-73 (all models)

Spitfire and GT6 Panels continued

KEY	ITEM CODE	NAME	DESCRIPTION	APPLICATION
S5	818871	Reinforcement	Reinforcement, Bonnet, Headlamp Mounting, LH	Spitfire MkIV/1500, 1970-80 (all models), GT6 MkIII, 1970-73 (all models)
S6	818626	Reinforcement	Reinforcement, Bonnet, Rear, RH	Spitfire MkIV/1500, 1970-80 (all models except North America), Spitfire MkIV/1500, 1970-76 (North America only), GT6 MkIII, 1970-73 (all models)
S6	818625	Reinforcement	Reinforcement, Bonnet, Rear, LH	Spitfire MkIV/1500, 1970-80 (all models except North America), Spitfire MkIV/1500, 1970-76 (North America only), GT6 MkIII, 1970-73 (all models)
S7	607869	Clamp	Clamp, Bonnet Support Tube	Spitfire, 1962-80 (all), GT6, 1966-73 (all)
S8	607711	Plate	Backing Plate, Bonnet Support Tube	Spitfire, 1962-80 (all), GT6, 1966-73 (all)
S9	WKC3414	Tube	Tube Assembly, Bonnet, Rear, 'Centre Tube'	Spitfire MkIV/1500, 1970-80 (North America 1976-80 specification, features retainer brackets, may be used on all other 1970-80 models), GT6 MkIII, 1970-73 (Spitfire North America specification, features retainer brackets, may be used on 1970-73 GT6 models)
S10	911108	Tube	Tube Assembly, Bonnet, RH	Spitfire MkIV/1500, 1970-80 (all models), GT6 MkIII, 1970-73 (all models)
S10	911107	Tube	Tube Assembly, Bonnet, LH	Spitfire MkIV/1500, 1970-80 (all models), GT6 MkIII, 1970-73 (all models)
S11	624558	Wing	Wing, Front, RH	Spitfire MkIV/1500, 1970-80 (North America only, pierced for marker lamp), GT6 MkIII, 1970-73 (North America only, pierced for marker lamp)
S11	624557	Wing	Wing, Front, LH	Spitfire MkIV/1500, 1970-80 (North America only, pierced for marker lamp), GT6 MkIII, 1970-73 (North America only, pierced for marker lamp)
S11	909664	Wing	Wing, Front, RH	Spitfire MkIV/1500, 1970-80 (not North America), GT6 MkIII, 1970-73 (not North America)
S11	909663	Wing	Wing, Front, LH	Spitfire MkIV/1500, 1970-80 (not North America), GT6 MkIII, 1970-73 (not North America)
S12	909352	Wheelarch	Wheelarch Panel, Outer, RH	Spitfire MkIV/1500, 1970-80 (all models), GT6 MkIII, 1970-73 (all models)
S12	909351	Wheelarch	Wheelarch Panel, Outer, LH	Spitfire MkIV/1500, 1970-80 (all models), GT6 MkIII, 1970-73 (all models)
S13	909798	Wheelarch	Wheelarch Panel, Inner, RH	Spitfire MkIV/1500, 1970-80 (all models), GT6 MkIII, 1970-73 (all models)
S13	909797	Wheelarch	Wheelarch Panel, Inner, LH	Spitfire MkIV/1500, 1970-80 (all models), GT6 MkIII, 1970-73 (all models)
S14	815392	Valance	Quarter Valance, Front, RH	Spitfire MkIV/1500, 1970-80 (all models), GT6 MkIII, 1970-73 (all models)
S14	815391	Valance	Quarter Valance, Front, LH	Spitfire MkIV/1500, 1970-80 (all models), GT6 MkIII, 1970-73 (all models)
S15	903098	Sill	Sill, Outer, RH	Spitfire, 1962-80 (all), GT6, 1966-73 (all)
S15	903097	Sill	Sill, Outer, LH	Spitfire, 1962-80 (all), GT6, 1966-73 (all)
S16	807136	Valance	Valance, Front, Assembly, 'Body Front Lower'	Spitfire MkI-MkII, 1962-67, GT6 MkI, 1966-67
S16	811676	Valance	Valance, Front, Assembly, 'Body Front Lower'	Spitfire MkIII, 1967-70, GT6 MkII, 1968-70
S17	911101	Cowling	Cowling, Headlamp, LH, 'Headlamp Surround'	Spitfire MkIV/1500, 1970-80 (all models), GT6 MkIII, 1970-73 (all models)
S17	911102	Cowling	Cowling, Headlamp, RH, 'Headlamp Surround'	Spitfire MkIV/1500, 1970-80 (all models), GT6 MkIII, 1970-73 (all models)
S18	XKC2677	Tube	Tube Assembly, Support, Bonnet, RH	Spitfire 1500, 1976-80 (North America only, FH60000 onwards)
S18	XKC2676	Tube	Tube Assembly, Support, Bonnet, LH	Spitfire 1500, 1976-80 (North America only, FH60000 onwards)
S19	576409	Wing	Wing, Rear, RH	Spitfire MkI-III, 1962-70 (all models), GT6 MkI-II, 1966-70 (all models)
S19	576408	Wing	Wing, Rear, LH	Spitfire MkI-III, 1962-70 (all models), GT6 MkI-II, 1966-70 (all models)
S20	WKC2467	Wing	Wing, Rear, RH	Spitfire MkIV/1500, 1970-80 (all models, will require piercing for North America marker lamp fitment), GT6 MkIII, 1970-73 (all models, will require piercing for North America marker lamp fitment)
S20	WKC2466	Wing	Wing, Rear, LH	Spitfire MkIV/1500, 1970-80 (all models, will require piercing for North America marker lamp fitment), GT6 MkIII, 1970-73 (all models, will require piercing for North America marker lamp fitment)



Stag Panels



KEY	ITEM CODE	NAME	DESCRIPTION	APPLICATION
ST1	907073	Apron	Apron, Front, 'Front Upper Panel'	Stag, 1970-76 (all models)
ST2	907103	Valance	Valance, Front, 'Body Front Lower' or 'Front Apron'	Stag, 1970-76 (all models)
ST3	907102	Sill	Sill, Outer, RH	Stag, 1970-76 (all models)
ST3	907101	Sill	Sill, Outer, LH	Stag, 1970-76 (all models)
ST4	907070	Valance	Valance, Rear, 'Body Rear Lower'	Stag, 1970-76 (all models)
ST5	907072	Wing	Wing, Front, RH	Stag, 1970-76 (all models)
ST5	907071	Wing	Wing, Front, LH	Stag, 1970-76 (all models)

Anti Roll Bars

ITEM CODE	NAME	DESCRIPTION	APPLICATION
21H6655	Anti Roll Bar	Joint and Eye Bush, Rear Anti Roll Bar	MGB & GT, Sept. 1976 on (all)
123502	Anti Roll Bar	Clamp Bracket, Anti Roll Bar Securing	TR4A, TR5 & TR250, 1965-69 (optional fitment), TR6, 1969-76 (all models)
AHH6546	Clamp	Clamp, Front Anti Roll Bar Location, 9/16" Dia.	MGB & GT, 1962 on (all models with 9/16" dia. anti roll bar)
AHH6546	Clamp	Clamp, Half, Anti Roll Bar Location	Midget/Sprite, 1964-79 (all models with semi-elliptic rear springs and front anti roll bar)
11H462K	Clamp Kit	Clamp Kit, Rear Anti Roll Bar Location, 11/16" Dia.	MGB & GT, 1976 on (with rear anti roll bar)

Battery Bars

ITEM CODE	NAME	DESCRIPTION	APPLICATION
157740	Retaining Bar	Retaining Bar, Battery, 12 3/4" between bolt holes	TR2-TR6, 1953-76 (alternative heavy duty fitment)
157910	Retaining Bar	Retaining Bar, Battery, 12" between bolt holes	TR2-TR6, 1953-76 (alternative fitment)
601898	Retaining Bar	Retaining Bar, Battery, 13" between bolt holes	TR2-TR6, 1953-76 (standard fitment)

Badges, Decals and Centre Caps

ITEM CODE	NAME	DESCRIPTION	APPLICATION
AHH5258	Badge	Badge, 'MG', Radio Blanking Plate	MGB & GT, 1962-76 (all models without radio fitted)
BHH1400	Badge	Badge, 'GT', C Post to Roof Seam Cover, RH	MGB GT, 1976 approx. on (models with exposed seam)
BHH1401	Badge	Badge, 'GT', C Post to Roof Seam Cover, LH	MGB GT, 1976 approx. on (models with exposed seam)
18G8766	Letter Set	Letter Set, Badge, 'MGB GT', Tailgate	MGB GT, 1965-69 (individual letters)
ZKC6076	Plinth	Plinth, Boot Lid Badge	MG RV8, 1992-96 (all)
AHH5258	Badge	Badge, 'MG', Fascia	Midget, 1961-78 (all chrome bumper models, rubber bumper models up to 1978)
18G8761	Badge	Badge, Letter Set, Sill, 'Midget'	Midget, 1970-79 (chrome bumper models from 1970-74, all rubber bumper models)
AHA9482	Stud Plate	Stud Plate, Plinth, Radiator Grille Badge	Midget/Sprite, 1970-74 (1275cc chrome bumper models with black radiator grille)
ARA2069	Badge	Badge Plinth, Grille Centre	MG Midget, 1961-69 (all G-AN1, G-AN2, G-AN3 and G-AN4 models)
ADA3730	Badge	Badge, 'Mini Minor', Rear	Mini Saloon and Traveller, 1959-67 (bootlid or rear door fitment, MkI Morris models, not some export markets)
ALA6694	Badge	Badge, '850', Rear	Mini Saloon and Traveller, 1967-69 (bootlid or rear door fitment, MkII models)
ALA6696	Badge	Badge, '1275', Rear	Mini Saloon 1967-69 (bootlid fitment, MkII Cooper S models)
623822	Badge	Badge, 'Triumph' Nameplate	Herald 13/60 (1967-71), Vitesse 2 Litre MkII (1968-71)
627502	Centre Cap	Centre Cap, Wheel, With 'TR6' Motif	TR6, 1970-76 (all steel wheel models except 1969)
627502S	Badge	Badge, Wheel Centre Cap, 'TR6' Motif	TR6, 1970-76 (all steel wheel models except 1969)



Body Fittings

ITEM CODE	NAME	DESCRIPTION	APPLICATION
BMH9500	Pad Set	Pad Set, Sound Deadening, Floor Panels	MGB & GT, 1967 on (4 synchro models)
HMP113210	Valance	Valance, Front, 'Body Front Lower'	MGB & GT, 1962-74 (lightweight alloy, chrome bumper, without rectangular air vents)
AHH6102	Finisher	Finisher, Air Intake, Chrome, Scuttle	MGB & GT, 1962 on (all)
BHH611	Socket	Socket, Tonneau Bar Mounting, Black	MGB Roadster, 1971 on (may be fitted to earlier models)
AHH8721	Channel	Channel, Lower, Door Drop Glass	MGB & GT, 1962 on (all)
AHH7418	Finisher	Finisher, Rear Quarterlight to Rear Wing, RH	MGB & GT, 1962 on (all)
AHH7419	Finisher	Finisher, Rear Quarterlight to Rear Wing, LH	MGB & GT, 1962 on (all)
AHH7441	Clip	Clip, Tailgate Glazing Finisher	MGB & GT, 1962 on (all)
BMP0401	Gasket	Gasket, Boot Lid Hinge, Upper	Mini Saloon & Clubman/1275GT, 1959 on (all saloons except Elf/Hornet. Also known as 24A2175)
BMP0402	Gasket	Gasket, Boot Lid Hinge, Lower	Mini Saloon & Clubman/1275GT, 1959 on (all saloons except Elf/Hornet. Also known as 24A2176)
ALA6381	Washer	Washer, Plate, Door Hinge Support	Mini & Clubman/1275GT, 1969 on (models with internal door hinges)
EAM9248	Bumper	Quarter Bumper, Rear, Black	Mini Van/Pick Up, 1980 on (models with black exterior trim and finishers)
713543	Moulding	Moulding, Door, RH, Bright Finish	TR250/TR5, 1967-69 (all)
715394	Nacelle	Nacelle, Headlamp Mounting, RH, 'Mounting Ring'	TR6, 1969-76 (all)
715393	Nacelle	Nacelle, Headlamp Mounting, LH, 'Mounting Ring'	TR6, 1969-76 (all)
813660	Surround	Surround, Headlamp, Front Wing	TR6, 1969-76 (all)
GLZ610	Spoiler	Spoiler, Front	TR7, 1978-81 (all models), TR8, 1979-81 (all models)
WKC1209	Bumper	Quarter Bumper, Rear, RH	TR7, 1976-81 (all models except North America), TR8, 1979-81 (all models except North America)
WKC1208	Bumper	Quarter Bumper, Rear, LH	TR7, 1976-81 (all models except North America), TR8, 1979-81 (all models except North America)
GLZ608	Spoiler	Spoiler, Front	Spitfire MkIV-1500, 1974-80 (all models from FH60000 on, may be fitted to earlier MkIVs and GT6 MkIIIs)
815138	Moulding	Moulding, B Post, RH, 'B Post Capping'	Spitfire MkIV/1500, 1970-80 (all models)
815137	Moulding	Moulding, B Post, LH, 'B Post Capping'	Spitfire MkIV/1500, 1970-80 (all models)
577473A	Gasket	Gasket, Door Handle to Door	Spitfire MkIV/1500, 1970-80 (all models), GT6 MkIII, 1970-73 (all models)
14A7776	Strap	Battery Cover Strap, Assembly	Mini Saloon & Clubman/1275GT, 1959 on (all models)
14A6511	Clamp	Clamp, Spare Wheel	Mini 1959-68 (all models except van with metal load floor and Pick Up)

Body Panels

ITEM CODE	NAME	DESCRIPTION	APPLICATION
HMP113208	Door	Door Outer Panel, 'Skin', Alloy, RH	MGB Roadster, 1965 on (lightweight alloy, would require modification for earlier pull out door handle models)
HMP113207	Door	Door Outer Panel, 'Skin', Alloy, LH	MGB Roadster, 1965 on (lightweight alloy, would require modification for earlier pull out door handle models)
HMP113218	Boot Lid	Boot Lid Assembly	MGB Roadster, 1962 on (lightweight alloy)
HMP113209	Boot Lid	Boot Lid Outer Panel, 'Skin', Alloy	MGB Roadster, 1962 on (lightweight alloy)
HZA2032	Closing Panel	Closing Panel, B Post Upper Panel, RH	MGB GT, 1965 on (all)
HZA2033	Closing Panel	Closing Panel, B Post Upper Panel, LH	MGB GT, 1965 on (all)
ZKC6653	Crossmember	Crossmember, Gearbox Mounting	MG RV8, 1994-96 (models fitted with R380 gearbox)
ADA5671	Check Arm	Check Arm, Door, Assembly	Mini Saloon, Clubman/1275GT and Estate, 1969 on (all models except van/pick up)
AAM1223	Guide Plate	Guide Plate, Bonnet Lock	Mini, 1976-96 (all models except Clubman/1275GT, will fit 1959-75 models except Clubman/1275GT or Elf/Hornet, also fits Minor, MGA, Austin Healey 100/3000)

Brake Parts

ITEM CODE	NAME	DESCRIPTION	APPLICATION
21A1669	Bracket	Bracket, Handbrake Cable, Rear, RH	Mini, 1959-92 (all)
21A1670	Bracket	Bracket, Handbrake Cable, Rear, LH	Mini, 1959-92 (all)
BTA1208	Bracket	Bracket, Brake Disc Dust Cover, RH	Mini Saloon and 1275GT (all models with 8.4" disc brakes, 1275GT 1976-80, all saloons 1984 on)
BTA1209	Bracket	Bracket, Brake Disc Dust Cover, LH	Mini Saloon and 1275GT (all models with 8.4" disc brakes, 1275GT 1976-80, all saloons 1984 on)
FAM621	Compensator	Compensator, Handbrake, Front to Rear Cable	Mini and Clubman/1275GT, 1976 on (single cable type handbrake, all models 1976 on)
650271	Bracket	Bracket, Support, Rear Seat Squab Lower	TR4-TR6, 1961-76 (all models, unhandled part replaces previous RH & LH versions)

Choke Cables*

ITEM CODE	NAME	DESCRIPTION	APPLICATION
214888	Cable	Choke Cable, Twin Wire, Pictorial Knob	TR5, 1967-69 (all), TR6, 1969-72 (all PI CP series 150bhp models)
214672	Cable	Choke Cable, Twin Wire, Pictorial Knob	TR250, 1967-69 (all), TR6, 1969-71 (all carb models to CC75000)
218301	Cable	Choke Cable, Twin Wire, Script Knob	TR6, 1972-73 (carb models CC75000 to CF12500)
UKC2121	Cable	Choke Cable, Twin Wire, Script Knob	TR6, 1973-76 (carb models CF12500 on)
219258	Cable	Choke Cable, Twin Wire, Pictorial Knob	TR6, 1972-75 (all PI CR series 125bhp models)

*Products available from TEX Automotive



Clutch, Gearbox, Transmission

ITEM CODE	NAME	DESCRIPTION	APPLICATION
21H6060	Valve	Valve, Axle Breather	MGB & GT, 1962 on (all, banjo & tube axles)
12G982	Lock Tab	Lock Tab, Flywheel	Midget/Sprite, 1966-74 (all models with 1275cc engine)
DAM5992	Bracket	Bracket, Verto Clutch Slave Cylinder	Mini, 1982 on (all models with Verto clutch)
128043	Stay Rod	Stay Rod, Clutch Slave Cylinder	TR2-TR3, 1953-56 (up to TS13045, all models with Lockheed brakes)
60658	Oil Thrower	Oil Thrower, First Motion Shaft	TR2-TR6, 1953-76 (all models)
110737	Bolt	Bolt, Crown Wheel to Differential Carrier	TR2-TR6, 1953-76 (all models)
60078	Washer	Washer, First Motion Shaft	TR2-TR6, 1953-76 (all models)
UKC13	Pivot Pin	Pivot Pin, Clutch Fork	TR8 manual, 1979-81 (all models), Rover 3500 SD1 manual, 1976-86
138526	Bolt	Bolt, Flywheel to Crankshaft, 3/8 UNF	Spitfire, 1962-74 (all models except 1500)
155801	Washer	Washer, Nylon, Gearbox Remote Linkage	Spitfire, 1962-74 (all models with 3 rail gearbox)
140791	Shim	Shim, Pinion Bearing, Outer, 0.010"	Stag, 1970-76 (all models with non-collapsible spacer type differential), TR2-TR6, 1953-76 (all models with non-collapsible spacer type differential), Spitfire, 1962-73 (all models with non-collapsible spacer type differential)
140793	Shim	Shim, Pinion Bearing, Outer, 0.003"	Stag, 1970-76 (all models with non-collapsible spacer type differential), TR2-TR6, 1953-76 (all models with non-collapsible spacer type differential), Spitfire, 1962-73 (all models with non-collapsible spacer type differential)

Consoles, Switches and Gauges

ITEM CODE	NAME	DESCRIPTION	APPLICATION
BHH467	Console	Console, Centre, Tunnel, 'Armrest Console'	MGB & GT, 1972 on (will fit earlier models)
BHH473	Console	Console, Radio & Switches	MGB & GT, 1972-76 (not North America)
HZA5102	Console	Console, Radio & Heater Controls	MGB & GT, 1976 on (RHD, electric fan type radiator)
HZA5103	Console	Console, Radio & Heater Controls	MGB Roadster, 1976 on (North America Only, electric fan type radiator)
18G8713	Cowl Set	Cowl Set, Steering Column Upper and Stalk Switches	MGB & GT, 1970-74 (RHD, chrome bumper, with headlamp dip on column, not MGB GT V8 models)
18G8713	Cowl Set	Cowl Set, Steering Column Upper and Stalk Switch	Midget/Sprite, 1966-69 (all RHD models with optional headlamp flash 1966-67, all RHD models 1968-69)
24A2702	Nacelle	Binnacle, Instruments, With Aux. Gauges	Mini, 1961-80 (all models with centre mounted instrument binnacle with auxilliary gauges, may be used on most other models)
14A9796	Clip	Clip, Finisher retaining, Instrument Binnacle	Mini, 1961-80 (all models with centre mounted instrument binnacle with auxilliary gauges)
22G2015	Pinion	Pinion, Speedometer Drive, 22 Teeth	Midget, 1974-79 (all rubber bumper models with 22 teeth speedo drive pinion)

Cross Members

ITEM CODE	NAME	DESCRIPTION	APPLICATION
BHH803	Cross Member	Cross Member	1974 on Rubber Bumper Cross Member
AHH6195	Cross Member	Cross Member	1962 - 1974 Chrome Bumper Cross Member
TBA	Cross Member	Cross Member	MGB V8
TBA	Cross Member	Cross Member	RV8

Cooling Parts

ITEM CODE	NAME	DESCRIPTION	APPLICATION
12G1597	Cooling Fan	Cooling Fan, Six Blade, Yellow Plastic	Midget/Sprite, 1968-74 (all models with 12CE & 12V 1275cc engines).
12G2129	Cooling Fan	Cooling Fan, 11 Blade, Yellow Plastic	Mini 1967 on (1969 on manual models except Switzerland 1969-84 and Paul Smith limited edition, 1967 on automatic models)
2A997	Cooling Fan	Cooling Fan, Two Blade, Metal	Mini, 1959-91 (Special Tuning fitment, also used on other BMC/BL models with A Series engines - Sprite/Midget, Minor, etc.)
2A998	Cooling Fan	Cooling Fan, Six Blade, Metal	Mini, 1959-84 (hot climates fitment, also Special Tuning fitment, also used on other BMC/BL models with A Series engines - Sprite/Midget, Minor, etc.)
CAM1577	Cover	Cover, Thermostat/Outlet Elbow	MGB & GT, 1976 on (electric fan type radiator)
GRH453	Hose	Radiator Hose, Top	TR2-4A

Fuel Tanks

ITEM CODE	NAME	DESCRIPTION	APPLICATION
NRP1174	Fuel Tank	Fuel Tank Assembly (Boxed)	MGB & GT, 1976 on (ventilated type, not North America)
NRP1176	Fuel Tank	Fuel Tank Assembly (Boxed)	MGB Roadster, 1976 on (evaporative loss type, North America only)
NRP2	Fuel Tank	Fuel Tank Assembly (Boxed)	MGB & GT, 1965-76 (not 1962-64 Roadster models with strap type fuel tank, not North America), MGB & GT 1965-69 (North America only)
NRP4	Fuel Tank	Fuel Tank Assembly (Boxed)	MGB & GT, 1969-76 (evaporative loss type, North America only)
ZKC5014	Fuel Tank	Fuel Tank Assembly (Boxed)	MG RV8, 1992-96 (all)
NRP1199	Fuel Tank	Fuel Tank Assembly	Midget, 1977-79 (with locking ring type sender unit, without drain plug facility, later 1500 models except North America, may be fitted to 1967-77 models also fitted with locking ring type sender unit)
ARP1043	Fuel Tank	Fuel Tank, Assembly	Mini Saloon and Clubman/1275GT, 1976-90 (7 1/2 gallon tank fitment 1976-80, all models 1980-90, leaded fuel type, no filler neck restriction)
21A291	Fuel Tank	Fuel Tank, Assembly	Mini Traveller, Clubman Estate, Van/Pick Up, 1960-84 (all models except earliest 1960 Travellers with side mounted tanks)
HMP441048	Fuel Tank	Fuel Tank, Assembly	Mini, 1991-96 (single point fuel injection, standard filler neck, UK only)
ARA472	Fuel Tank	Fuel Tank, Assembly	Morris Minor, Saloon and Traveller



MGF Miscellaneous

ITEM CODE	NAME	DESCRIPTION	APPLICATION
ALG460040	Sill Outer	Sill Outer, RH, Bare Panel Only	MGF, 1995-2001 (all models, does not include extension or front closing panel)
ALG460050	Sill Outer	Sill Outer, LH, Bare Panel Only	MGF, 1995-2001 (all models, does not include extension or front closing panel)
ALH460080R	Wing	Wing, Rear, RH, Bare Panel Only	MGF, 1995-2001 (all models, does not include rear lamp or drain channel extensions)
ALH460090R	Wing	Wing, Rear, LH, Bare Panel Only	MGF, 1995-2001 (all models, does not include rear lamp or drain channel extensions)

Subframes and Suspension Arms

ITEM CODE	NAME	DESCRIPTION	APPLICATION
21A2570	Subframe	Subframe Assembly, Front	Mini, 1959-75 (all models, solid mounted subframe, cone suspension, manual gearbox)
KGB10022	Subframe	Subframe Assembly, Front	Mini, 1976-90 (all models, rubber mounted subframe, manual gearbox, 848cc, 948cc, 1098cc, 1275cc up to 1990, 998cc 1990-91)
KGB10027	Subframe	Subframe Assembly, Front	Mini Saloon, 1991-96 (rubber mounted subframe, manual gearbox, 1275cc, supplied without bump stops)
HMP241005	Subframe	Subframe Assembly, Front	Mini Saloon, 1997 on (rubber mounted subframe, manual gearbox, supplied with bump stops)
KGB100500	Subframe	Subframe Assembly, Front	Mini Saloon, 1997 on (rubber mounted subframe, manual gearbox, supplied without bump stops)
KGB10024	Subframe	Subframe Assembly, Front	Mini Saloon, Clubman, Estate, 1976 on (rubber mounted subframe, automatic gearbox, 948cc, 1275cc)
FAM6292	Subframe	Subframe Assembly, Rear	Mini, 1959-92 (Cone suspension, without hanger rods for late type exhaust mountings)
FAM6292A	Subframe	Subframe Assembly, Rear	Mini, 1959 on (Cone suspension, modified for adjustment of Hi-Lo suspension)
21A2160	Subframe	Subframe Assembly, Rear	Mini, 1964-67 (Hydroelastic suspension, not Cooper S, Elf or Hornet)
KHB10024	Subframe	Subframe Assembly, Rear	Mini Saloon, 1991 on (features hanger rods for late type exhaust mountings, not Sport Pack or 13" wheels)
KHB100590	Subframe	Subframe Assembly, Rear	Mini, 1997 on (rubber mounted subframe, for Sport Pack and 13" wheels)
KHB10023	Subframe	Subframe Assembly, Rear	Mini Saloon, 1990 on (Germany only, accepts towing eye)
HMP841014	Fitting Kit	Fitting Kit, Rear Subframe	Mini, 1976 on (all, includes all fixings for four trunnions, does not include trunnions or bushes)
2A5818	Bush	Trunnion Bush, Rear Subframe Mounting	Mini, 1959 on (all, small bush, front and rear bushes up to 1975, rear bushes only from 1976 on)
21A2560	Bush	Trunnion Bush, Rear Subframe Mounting, Front	Mini, 1976 on (all, single large bush)
21A1440	Support Pin	Support Pin, Rear Subframe Front Mounting	Mini, 1959 on (all)
KHU10011	Hanger Rod	Hanger Rod, Exhaust, Rear Subframe, Large	Mini 1991 on (1991 on fuel injection models, 1992-94 carburetter models)
KHU10012	Hanger Rod	Hanger Rod, Exhaust, Rear Subframe, Small	Mini 1991 on (1991 on fuel injection models, 1992-94 carburetter models)
21A1879	Lower Arm	Lower Arm, Front Suspension, RH	Mini, 1959 on (all, except modified geometry suspension)
21A1881	Lower Arm	Lower Arm, Front Suspension, LH	Mini, 1959 on (all, except modified geometry suspension)
8G4249	Tie Rod	Tie Rod, Assembly	Mini, 1959 on (all, includes fixings and bushes)
FAM2764K	Bump Stop	Bump Stop Kit, Front	Mini, 1976 on (all, includes packing washer and fixings)
2A4362	Shaft	Shaft, Lower Arm Support	Mini, 1959 on (all, also directly replaces straight type shaft on very early models)
2A7327	Seal	Sealing Ring, Suspension Arm Bearings	Mini, 1959 on (all models, front suspension upper arms and rear suspension radius arms)
21A195	Bracket	Bracket, Outer, Radius Arm to Subframe, RH	Mini & Clubman/1275GT, 1959 on (all except models with Hydroelastic suspension)
21A197	Bracket	Bracket, Outer, Radius Arm to Subframe, LH	Mini & Clubman/1275GT, 1959 on (all except models with Hydroelastic suspension)
RBUI00101	Bracket	Brkt Clamp Roll Bar Mtg	MGF, 1995-2001 (all models); MG TF, 2001-11 (all models)

Sun Visors

ITEM CODE	NAME	DESCRIPTION	APPLICATION
BHH2166	Sun Visor	Sun Visor, With Pouch, RH, Driver's Side	MGB Roadster, 1976 on (RHD, may be fitted to earlier models)
BHH2169	Sun Visor	Sun Visor, With Mirror, LH, Passenger's Side	MGB Roadster, 1976 on (RHD, may be fitted to earlier models)
BHH2167	Sun Visor	Sun Visor, With Pouch, LH, Driver's Side	MGB Roadster, 1976 on (LHD, may be fitted to earlier models)
BHH2168	Sun Visor	Sun Visor, With Mirror, RH, Passenger's Side	MGB Roadster, 1976 on (LHD, may be fitted to earlier models)
622431	Sun Visor	Retainer, Sun Visor, Rubber	MGF, 1995-2001 (all models, does not include rear lamp or drain channel extensions)

Suspension Hubs

ITEM CODE	NAME	DESCRIPTION	APPLICATION
BMH4018	Bracket Kit	Bracket Kit, Anti Tramp Bars, Rear Suspension	MGB & GT, 1962 on (all tuned models requiring more secure rear axle location)
AHA7029	Spring Pan	Spring Pan, Front Suspension, 'Wishbone'	Midget/Sprite, 1958-79 (pierced for anti roll bar fitment for 1964 onwards models, but will fit all)
21A2694	Distance Tube	Distance Tube, Front Shock Absorber Lower Mounting	Mini, 1974 approx. on (all models, long bolt type mounting)
138272	Spacer	Spacer, Rear Hub/Outer Axle Bearing, Collapsible	Stag, 1970-76 (all models), TR4A-TR6, 1965-76 (all models)



Various

ITEM CODE	NAME	DESCRIPTION	APPLICATION
57602	Adaptor	Adaptor, Heater Hose to Cylinder Head	Spitfire, 1962-72 (all models up to mid-1972)
105121	Stud	Stud, Cylinder Head, 4 1/4" Long	Midget, 1974-79 (all rubber bumper models)
136936	Bearing	Bearing, Upper, Steering Column	Stag, 1970-76 (all models)
149556	Fuel Pipe	Fuel Pipe, Elbow, With Olive & Nut	TR2-4A, 1953-67 (fuel pump inlet pipe), TR250-TR6 carb, 1967-76 (fuel pump inlet pipe), TR5-TR6 PI (fuel filter inlet pipe)
153109	Clip	Clip, Spring, Inertia Switch Mounting	TR6, 1970-76 (all except earliest models), Stag, 1970-77 (all models)
154934	Adaptor	Adaptor, Breather Hose to Carburettor	Spitfire 1500, 1975-80 (all models except North America), Dolomite, 1976-81 (all 1300 and 1500 models), GT6 MkIII, 1970-73 (all models)
156024	Clamp Assembly	Clamp Assembly, Steering Rack Mounting	TR4, 1963-65 (later models with rubber mountings), TR4A-TR6, 1965-76 (all models), Spitfire, 1962-81 (all models), GT6, 1966-73 (all models), Herald & Vitesse, 1959-71 (all models), Triumph 2000/2.5PI/2500, 1963-77 (all models)
602167	Clamp	Clamp, Rear Wing to Rear Apron	TR2-TR3A, 1953-61 (all models)
603344	Spring	Spring, Guide, Door Check Arm	TR4-TR6, 1961-76 (all models), Spitfire, 1962-80 (all models)
603943	Reinforcement	Reinforcement Strip, Sump, Rear	MGB GT V8, 1972-76 (all), Triumph TR8, 1980-81 (all), Rover P6B, 1968-75 (all), Rover P5B, 1967-73 (all), Rover 3500 SD1, 1976-86
626716	Washer	Washer, Fibre, Sealing, 7/16" Int. Dia.	TR4-TR5, 1961-69 (all models, rear wing fitment), TR6, 1969-76 (all models, front & rear wing fitment)
705242	Vent Lid & Hinge Assembly	Vent Lid & Hinge Assembly, Scuttle	TR4-TR5, 1961-69 (all models), TR6, 1969-72 (all models with CP & CC chassis no. prefix)
11D5264K	Banjo Bolt	Banjo Bolt, With Sealing Washers	Mini, 1982 on (all models with Verto clutch)
12A1177	Cup Washer	Cup Washer, Sealing Bush Retaining	MGB & GT, 1963 on (all except earliest 18G MGB engines)
12A1177	Cup Washer	Cup Washer, Engine Side Cover Seal	Midget/Sprite, 1964-66 (all models with 10CC 1098cc engine)
13H2296	Filler Cap	Filler Cap, Oil, With Filter	Midget/Sprite, 1966-74 (all models with 1275cc engine)
14G6728	Flanged Cup	Flanged Cup, Trim Spring Clip Retaining	MGB GT, 1965 on (D post and roof rear closing trim panel fixing)
17H7458	Plug	Plug, Vented, Brake Master Cylinder	Morris Minor, 1948-71 (all models), MG TD-TF, 1950-55 (all models)
22A696	Washer	Washer, Lock Tab, Flywheel Bolt	Mini, 1982 on (all manual models with Verto clutch assembly - flywheel bolt tab washer), Mini, 1964 on (all automatic models - forward clutch bolt tab washer)
22B19	Knob	Knob, Gear Lever, Spherical, No Gate Markings	TR4-TR5, 1961-69 (all models except TR250), TR6, 1969-71 (all models up to CP53853), Spitfire Mk 1 & 2, 1962-67 (all models), Herald & Vitesse, 1959-71 (all models)
233220A	Washer	Washer, Sealing, Copper, 3/8" Int. Dia.	Multiple MG, Triumph, Rover, Austin Healey and Mini applications
3H550	Washer	Washer, Sealing, Copper, 7/16" Int. Dia.	Multiple MG, Triumph, Rover, Austin Healey and Mini applications
6K638	Lock	Washer, Sealing, Copper, 'Crush Washer', 1/2" Int. Dia.	Multiple MG, Triumph, Rover, Austin Healey and Mini applications
8G726	Rubber Boot	Rubber Boot, Distributor Cover, Weatherproof	MGB & GT, 1962-74 (chrome bumper, with original side entry type Lucas 25D distributor)
8G726	Rubber Boot	Rubber Boot, Distributor Cover, Weatherproof	Midget/Sprite, 1958-74 (chrome bumper, with original side entry type Lucas 25D distributor)
8G726	Rubber Boot	Rubber Boot, Distributor Cover, Weatherproof	Mini, 1959-73 (all models with original side entry type Lucas 25D/23D distributor)
8G727	Rubber Boot	Rubber Boot, Ignition Coil Cover, Weatherproof	MGB & GT, 1962 on (all except MGB GT V8 models)
AHA8517	Escutcheon	Escutcheon, Window Winder Handle	Midget/Sprite, 1967-79 (1275cc chrome bumper models with screw on window winder handles, all rubber bumper models)
AHH7210	Dzus Fastener	Dzus Fastener, Quarter Turn, Battery Cover	MGB & GT, 1962 on (all)

Various continued

ITEM CODE	NAME	DESCRIPTION	APPLICATION
BHH1085	Clip	Clip, Rocker Switch Retaining	MGB & GT, 1973-76 (North America only)
EEB10090	Listing Rail	Listing Rail, Headlining, Blue Coded	Mini Saloon and Clubman/1275GT, 1969 on (blue coded rail, fits second from rear position in headlining)
FPS100340	Lock	Bonnet Lock, Assembly	Mini Saloon, 1997 on (all models with centre mounted safety catch)
GEX7526	Bracket	Bracket, Exhaust Downpipe to Gearbox	Mini and Clubman/1275GT, 1973-94 (all manual gearbox carburettor models with rod gearchange)
HMP113002	Mouse Mat	Mouse Mat, MGB Roadster, Green	Various
HMP115012	Mouse Mat	Mouse Mat Austin Healey Sprite Mk I, White	Various
HMP141045	Mouse Mat	Mouse Mat, Mini Clubman Design	Mini Clubman/1275GT, 1969-82 (saloon 1969-80, estate 1969-82)
HZA3931	Boss	Boss, Threaded, Seat Belt Mounting	Midget/Sprite, 1964-79 (all chrome bumper models with seat belts, all rubber bumper models)
PMZ308	Banjo Bolt	Screw, Recessed Pan Head, No. 10 UNF x 1/2"	Multiple applications
RTC1752020	Bearing Set	Main Bearing Set, 0.020" Oversize	TR250/TR5-TR6, 1967-76 (all engines), GT6 MkI-MkIII, 1967-73 (MkI engine from KC5001 onwards, all MkII-MkIII engines), Vitesse 2 Litre, 1967-71 (all engines from HC4500 onwards)
UKC979	Spacer	Spacer, Collapsible, Differential Pinion, Metric	TR7-TR8, 1976-81 (all 5 speed and auto TR7 models, all TR8 models), Rover SD1, 1976-87 (all models)
AB608031	Screw	Screw, No8 x 3/8" Self Tapping	Multiple MG, Triumph, Rover, Austin Healey and Mini applications
13H2776	Screw	Rebound Buffer Fixing Screw	Multiple MG, Triumph, Rover, Austin Healey and Mini applications
HMP441064	Weld Bolts	SPI & MPI Heat Shield Weld Bolts	Mini
BMP134	Gasket	door handle gasket (large)	Mini
BMP135	Gasket	door handle gasket (small)	Mini
114006	Rubber Insulator	Leaf Spring Rubber Insulator	Triumph Spitfire



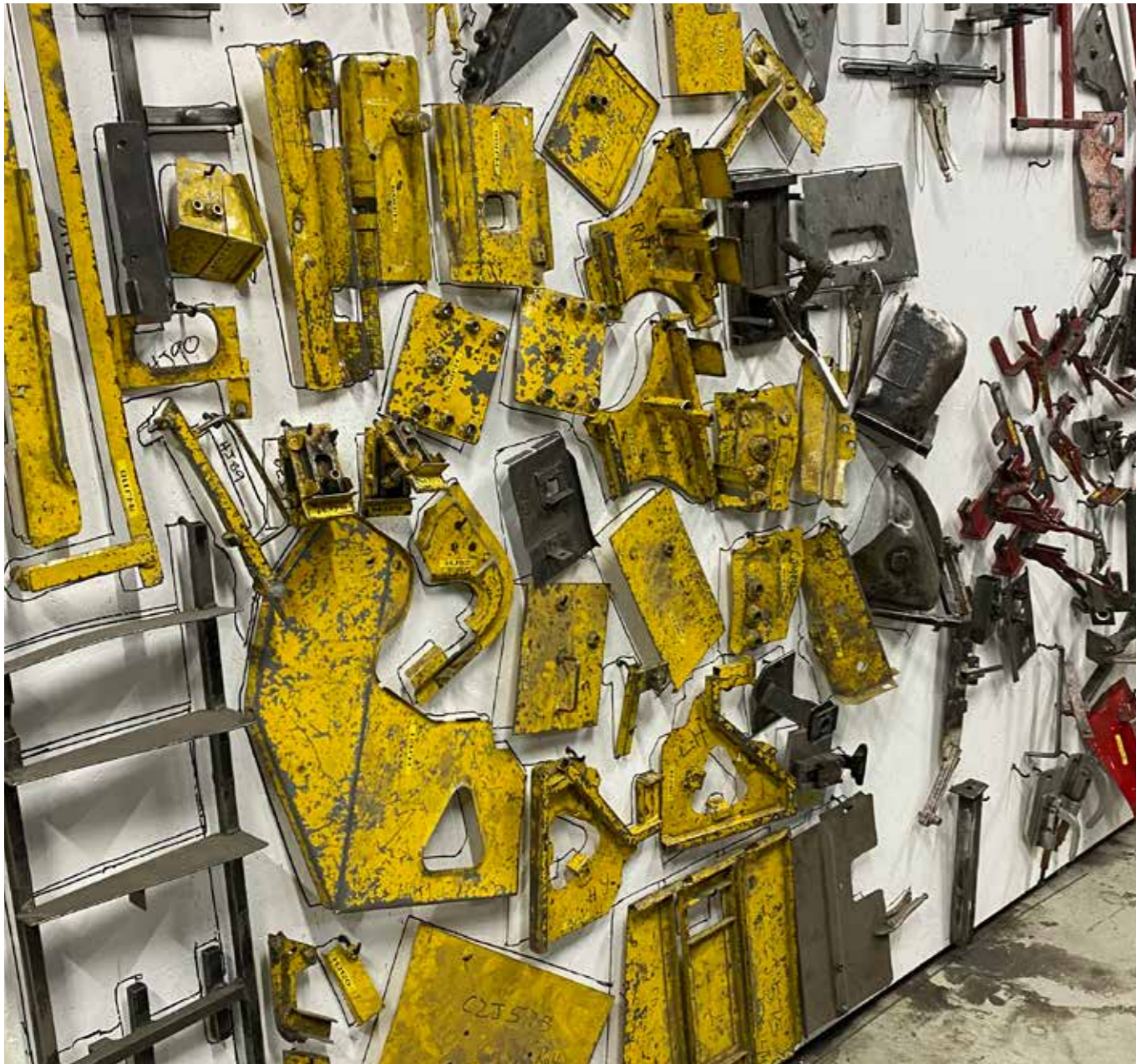


Steelcraft panels are manufactured in the UK by Taylor Pressform Ltd. Production began in 1974 and further developments in manufacturing processes and materials ensure that every part is an excellent fit every time.

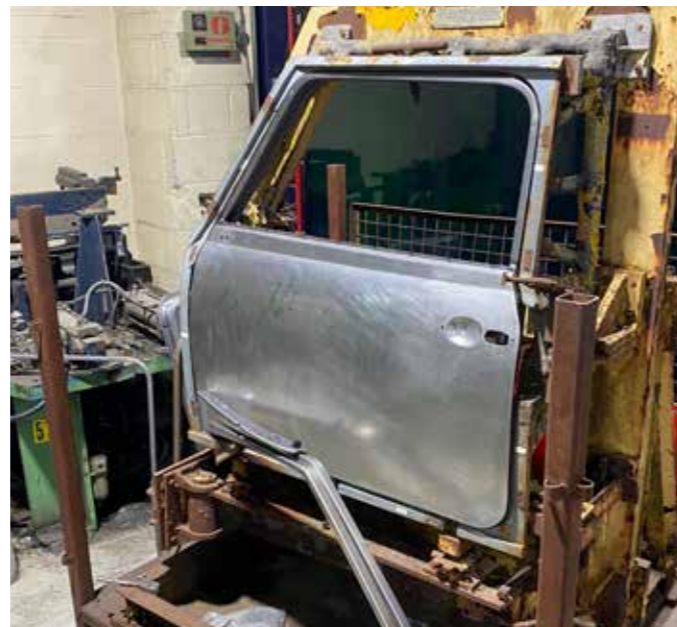
They are tried and tested by thousands of body shops and home restorers with years of experience. Steel dies (some weighing as much as 12 tonnes) are used to produce Steelcraft parts. This ensures accuracy and consistency during the manufacturing process.

All parts are manufactured from industry standard steel and are finished in a tough electrophoretic primer.

All product is identified by the Steelcraft parts label and part number. Select from the MG Midget/Sprite and Triumph Spitfire panels and purchase from your classic car specialists.

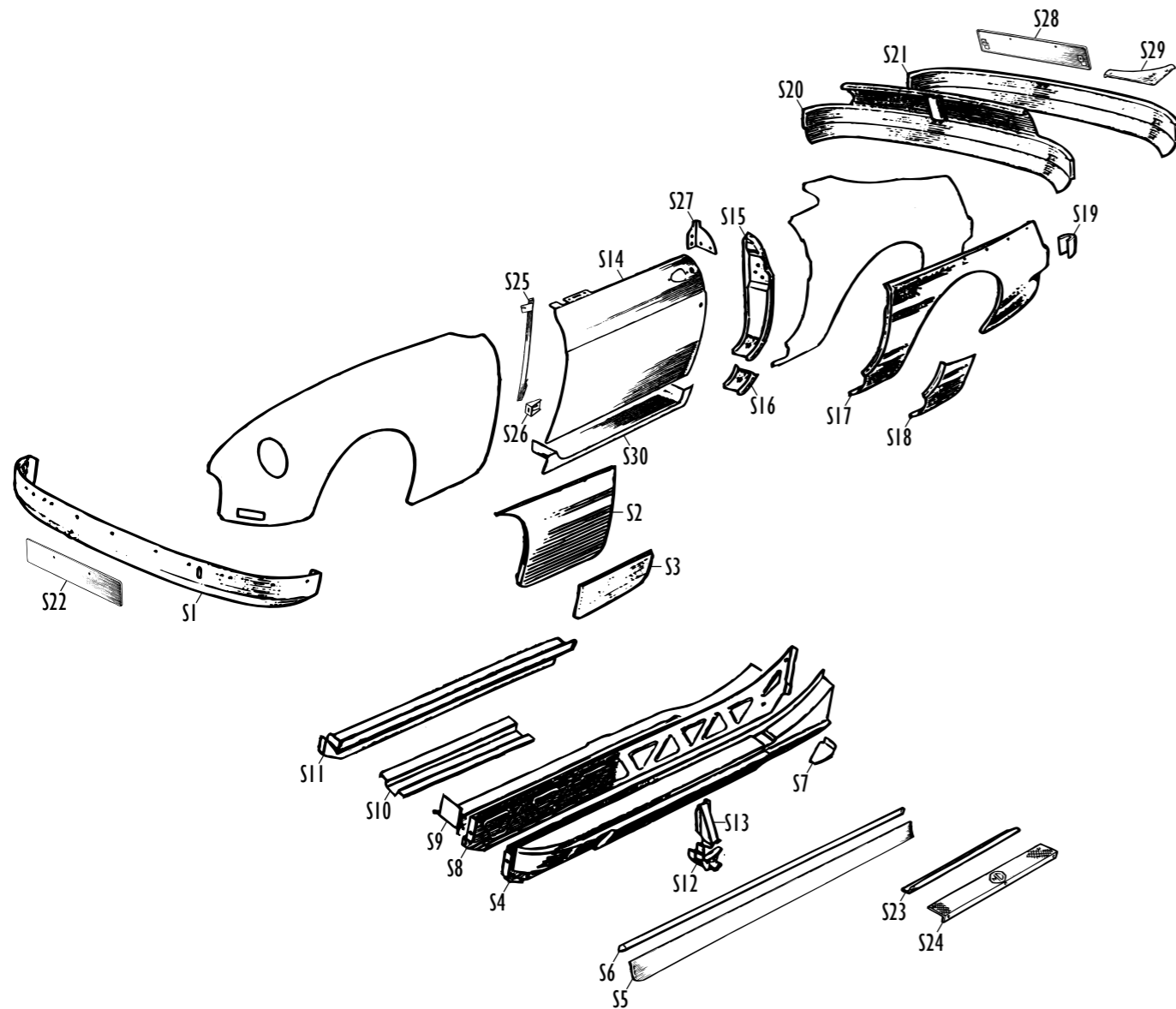


To maintain the originality of all the products produced at BMH, we use all the original jigs, some of which are pictured here.



MGB Outer Panels

available from your classic car retailer



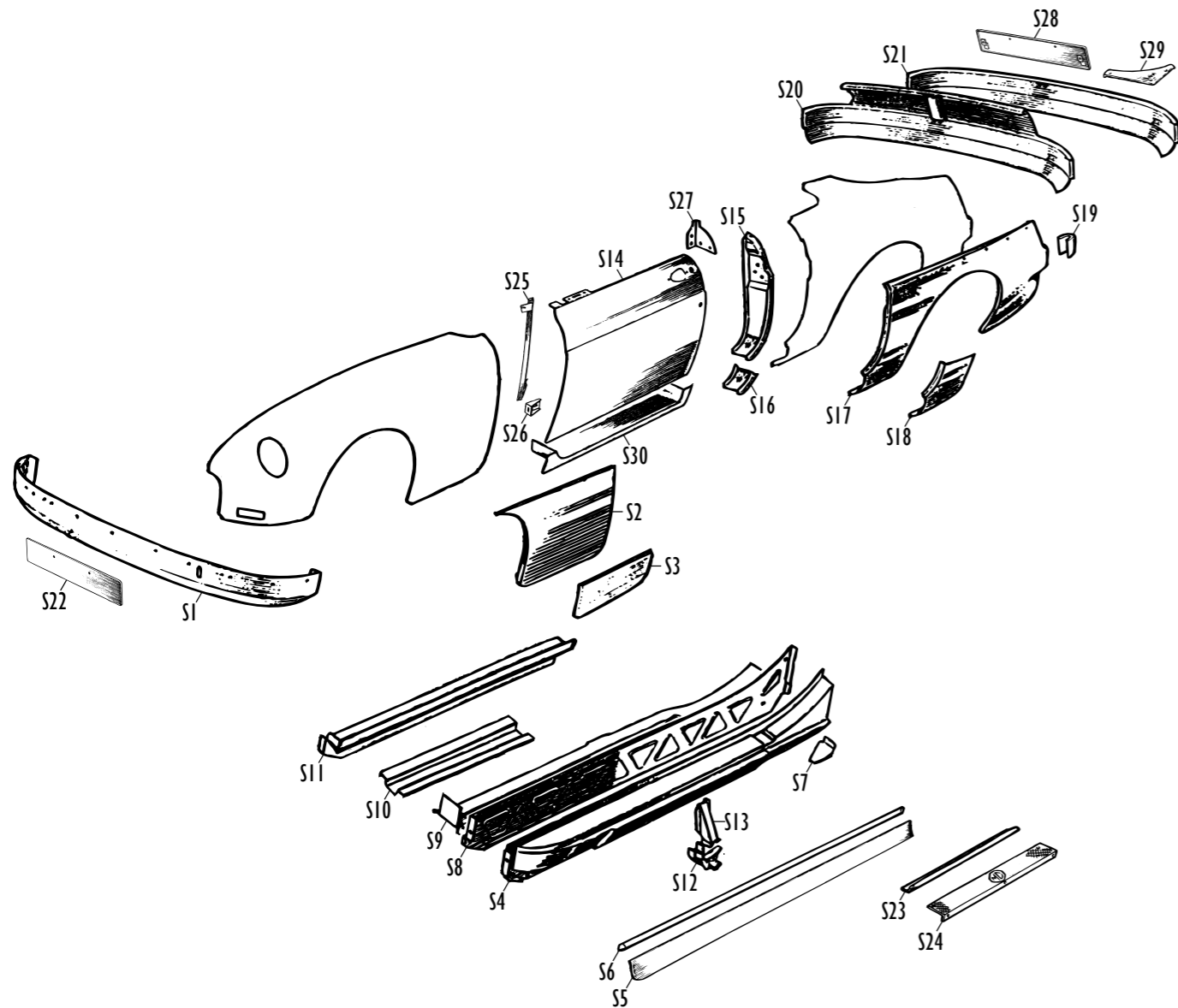
MGB Outer Panels continued

KEY	ITEM CODE	DESCRIPTION	APPLICATION
S1	MB10	Valance, Front, 'Body Front Lower'	MGB & GT, 1962-72 (chrome bumper, without rectangular air vents)
S1	MB11	Valance, Front, 'Body Front Lower'	MGB & GT, 1972-74 (chrome bumper, with rectangular air vents)
S1	MB12	Valance, Front, 'Body Front Lower'	MGB & GT, 1974 on (rubber bumper)
S2	MB15L	Wing Repair, Front Wing, Rear Lower Half, LH	MGB & GT, 1962 on (all)
S2	MB15R	Wing Repair, Front Wing, Rear Lower Half, RH	MGB & GT, 1962 on (all)
S3	MB16L	Wing Repair, Front Wing, Rear Lower, 1/4 Height, LH	MGB & GT, 1962 on (all)
S3	MB16R	Wing Repair, Front Wing, Rear Lower, 1/4 Height, RH	MGB & GT, 1962 on (all)
S4	MB48L	Sill, Outer, Assembly, LH	MGB & GT, 1962 on (all)
S4	MB48R	Sill, Outer, Assembly, RH	MGB & GT, 1962 on (all)
S5	MB28L	Over Sill, Stainless Steel, Sill Outer, LH	MGB & GT, 1962 on (all)
S5	MB28R	Over Sill, Stainless Steel, Sill Outer, RH	MGB & GT, 1962 on (all)
S6	MB29	Edge Finisher, Over Sill, Stainless Steel, Sill Outer	MGB & GT, 1962 on (all)
S7	MB26L	Closing Panel, Outer Sill to Inner Sill, Rear, LH	MGB & GT, 1962 on (all)
S7	MB26R	Closing Panel, Outer Sill to Inner Sill, Rear, RH	MGB & GT, 1962 on (all)
S8	MB23L	Sill, Inner, LH	MGB & GT, 1962 on (all)
S8	MB23R	Sill, Inner, RH	MGB & GT, 1962 on (all)
S9	MB24L	Sidemember, Bottom, LH, 'Castle Section'	MGB & GT, 1962 on (all)
S9	MB24R	Sidemember, Bottom, RH, 'Castle Section'	MGB & GT, 1962 on (all)
S10	MB25	Sidemember, Bottom, 'Castle Section', Repair, 2ft Length	MGB & GT, 1962 on (all)
S11	MB22L	Sidemember, 'Sill Inner Step' Repair, 4ft Length, LH	MGB & GT, 1962 on (all)
S11	MB22R	Sidemember, 'Sill Inner Step' Repair, 4ft Length, RH	MGB & GT, 1962 on (all)
S12	MB32	Bracket, Jacking Point, Assembly	MGB & GT, 1962 on (all)
S13	MB30	Reinforcement, Jacking Point	MGB & GT, 1962 on (all)
S14	MB33L	Door Outer Panel, 'Skin', LH	MGB & GT, 1965 on (push button door handle models, small mod required for GT fitment. Can be modified to fit earlier pull out door handle models)
S14	MB33R	Door Outer Panel, 'Skin', RH	MGB & GT, 1965 on (push button door handle models, small mod required for GT fitment. Can be modified to fit earlier pull out door handle models)
S30	MB46L	Door Inner Repair, Lower, LH	MGB & GT, 1962 on (all)
S30	MB46R	Door Inner Repair, Lower, RH	MGB & GT, 1962 on (all)
S15	MB90L	B Post Assembly, LH	MGB & GT, 1965 on (all models with push button exterior door handles)
S15	MB90R	B Post Assembly, RH	MGB & GT, 1965 on (all models with push button exterior door handles)
S16	MB59L	B Post, Lower Quarter Repair, LH	MGB & GT, 1962 on (all)
S16	MB59R	B Post, Lower Quarter Repair, RH	MGB & GT, 1962 on (all)
S17	MB37L	Wing Repair, Rear Wing, Outer Panel, Full Height & Length, LH	MGB & GT, 1962-74 (chrome bumper, for North America may require piercing for marker lights)
S17	MB37R	Wing Repair, Rear Wing, Outer Panel, Full Height & Length, RH	MGB & GT, 1962-74 (chrome bumper, for North America may require piercing for marker lights)
S18	MB36L	Wing Repair, Rear Wing, Front Lower, 1/4 Height, LH	MGB & GT, 1962 on (all)
S18	MB36R	Wing Repair, Rear Wing, Front Lower, 1/4 Height, RH	MGB & GT, 1962 on (all)



MGB Outer Panels

available from your classic car retailer



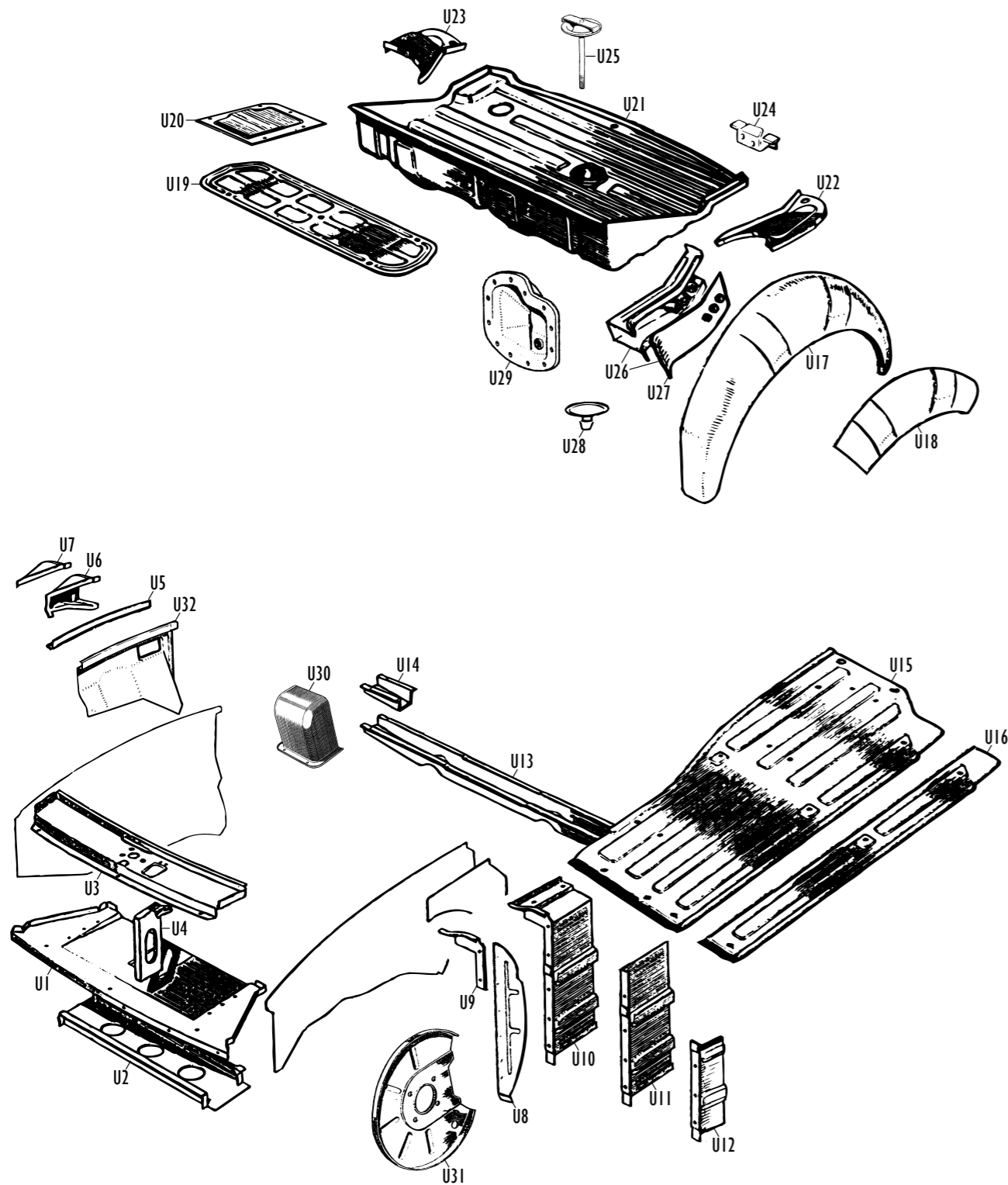
MGB Outer Panels continued

KEY	ITEM CODE	DESCRIPTION	APPLICATION
S19	MB101	Wing Repair, Rear Wing, End Plinth, Under Rear Lamp	MGB & GT, 1962-74 (chrome bumper)
S20	MB53	Valance, Rear, 'Body Rear Lower'	MGB Roadster, 1962-74 (chrome bumper)
S20	MB61	Valance, Rear, 'Body Rear Lower'	MGB Roadster, 1974 on (rubber bumper)
S20	MB62	Valance, Rear, 'Body Rear Lower'	MGB GT, 1974 on (rubber bumper)
S20	MB76	Valance, Rear, 'Body Rear Lower'	MGB GT, 1965-74 (chrome bumper)
S21	MB41	Valance, Rear, 'Body Rear Lower', Lower Half Repair	MGB & GT, 1962-74 (chrome bumper)
S21	MB45	Valance, Rear, 'Body Rear Lower', Lower Half Repair	MGB & GT, 1974 on (rubber bumper)
S22	MB72	Support, Front Number Plate, Painted Finish	MGB & GT, 1962-74 (chrome bumper)
S22	MB72S	Support, Front Number Plate, Stainless Steel	MGB & GT, 1962-74 (chrome bumper)
S22	MB74	Support, Front Number Plate, Painted Finish	MGB & GT, 1974 on (rubber bumper, UK and Europe)
S23	MB89	Retaining Strip, Door Seal, Lower	MGB & GT, 1962 on (all)
S24	MB49/C	Tread Plate, 'Threshold Plate', Stainless Steel, MGC Motif	MGC & GT, 1967-69 (all)
S24	MB49/GT	Tread Plate, 'Threshold Plate', Stainless Steel, MGB GT Motif	MGB GT, 1965 on (all)
S24	MB49/MG	Tread Plate, 'Threshold Plate', Stainless Steel, MG Logo	MGB & GT, MGC & GT, 1962 on (all)
S24	MB49/MGB	Tread Plate, 'Threshold Plate', Stainless Steel, MGB Motif	MGB & GT, 1962 on (all)
S24	MB49/V8	Tread Plate, 'Threshold Plate', Stainless Steel, V8 Motif	MGB GT V8, 1972-76, plus V8 conversions
S25	MB88L	Door Drop Glass Rear Channel, LH	MGB & GT, 1962 on (all)
S25	MB88R	Door Drop Glass Rear Channel, RH	MGB & GT, 1962 on (all)
S26	MB70L	Bracket, Triangular, Window Channel Support, LH	MGB & GT, 1962 on (all)
S26	MB70R	Bracket, Triangular, Window Channel Support, LH	MGB & GT, 1962 on (all)
S27	MB104L	Finisher, Door Shut Upper, LH	MGB GT, 1965 on (all)
S27	MB104R	Finisher, Door Shut Upper, RH	MGB GT, 1965 on (all)
S28	MB73	Support, Rear Number Plate, Painted Finish	MGB & GT, 1962-74 (chrome bumper, UK and Europe)
S28	MB73S	Support, Rear Number Plate, Stainless Steel	MGB & GT, 1962-74 (chrome bumper, UK and Europe)
S28	MB75	Support, Rear Number Plate, Painted Finish	MGB & GT, 1974 on (rubber bumper, UK and Europe)
S28	MB75S	Support, Rear Number Plate, Stainless Steel	MGB & GT, 1974 on (rubber bumper, UK and Europe)
S29	MB86SL	Rear Bumper Corner Filler, Stainless Steel, LH	MGB & GT, 1962-74 (chrome bumper)
S29	MB86SR	Rear Bumper Corner Filler, Stainless Steel, RH	MGB & GT, 1962-74 (chrome bumper)



MGB Inner Panels

available from your classic car retailer



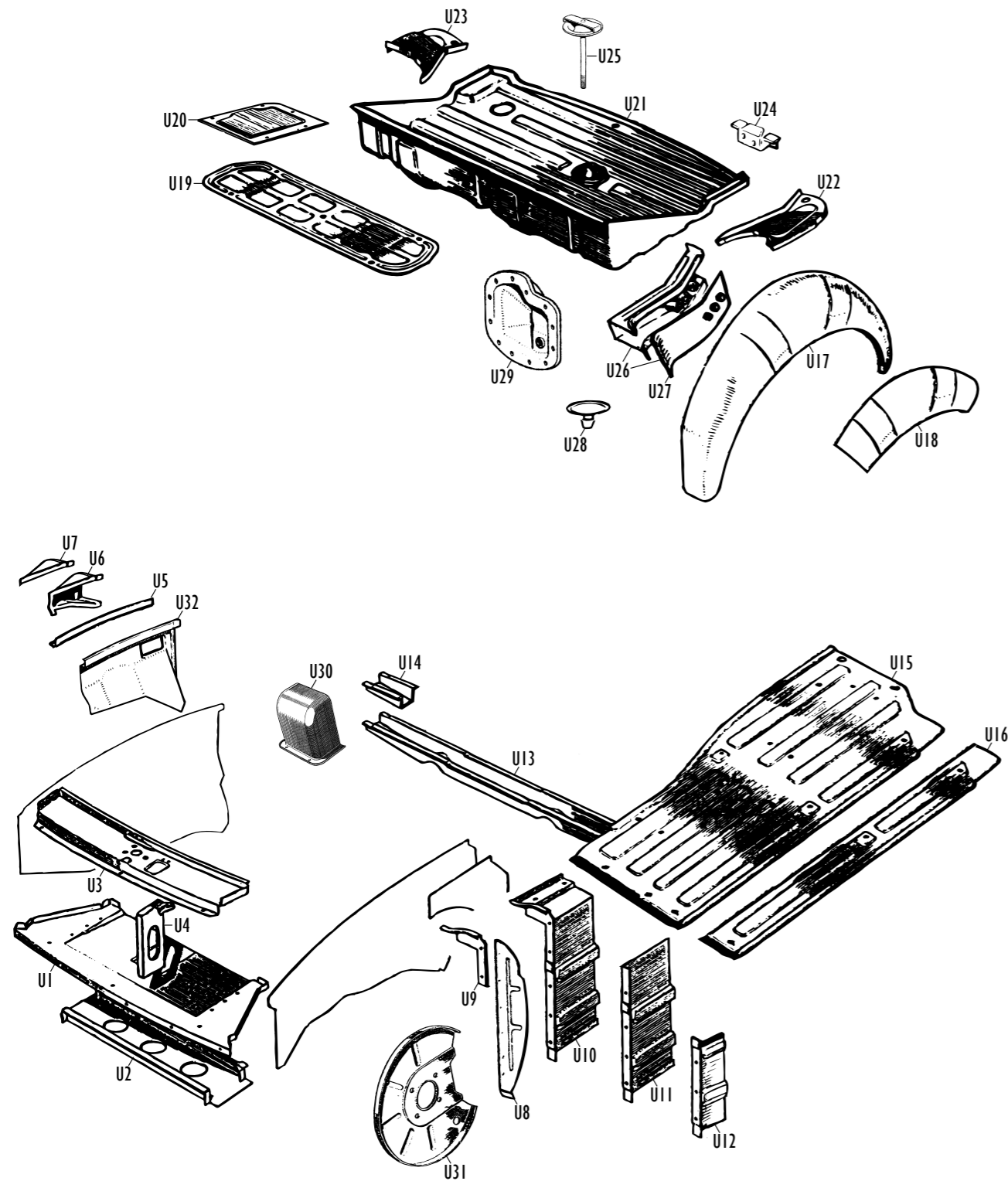
MGB Inner Panels continued

KEY	ITEM CODE	DESCRIPTION	APPLICATION
U1	MB64	Duct, Radiator, Lower	MGB & GT, 1962-74 (chrome bumper, not V8)
U2	MB63	Crossmember, Front ('duct support')	MGB & GT, 1962-74 (chrome bumper, not V8)
U3	MB66	Platform, Bonnet Locking	MGB & GT, 1962-74 (chrome bumper, not V8)
U4	MB65	Reinforcement, Bonnet Locking Platform	MGB & GT, 1962-74 (chrome bumper, not V8)
U5	MB51	Wheelarch, Front, Wing Attachment Repair	MGB & GT, 1962 on (all)
U6	MB17L	Reinforcement, Wheelarch to Pedal Box, LH, Short Type	MGB & GT, 1962 on (all; N.B. not original spec. 1975 on)
U6	MB17R	Reinforcement, Wheelarch to Pedal Box, RH, Short Type	MGB & GT, 1962 on (all; N.B. not original spec. 1975 on)
U7	MB27L	Reinforcement, Wheelarch to Pedal Box, Top Repair, LH	MGB & GT, 1962 on (all fitted with short reinforcement; N.B. not original spec. 1975 on)
U7	MB27R	Reinforcement, Wheelarch to Pedal Box, Top Repair, RH	MGB & GT, 1962 on (all fitted with short reinforcement; N.B. not original spec. 1975 on)
U32	MB97L	Front Wheelarch (Inner Wing) Repair, rear section, LH	MGB & GT, 1962 on (all except V8)
U32	MB97R	Front Wheelarch (Inner Wing) Repair, rear section, RH	MGB & GT, 1962 on (all except V8)
U8	MB19L	Splash Shield, LH, Painted Finish	MGB & GT, 1970 on (will fit earlier models)
U8	MB19R	Splash Shield, RH, Painted Finish	MGB & GT, 1970 on (will fit earlier models)
U8	MB19SL	Splash Shield, LH, Stainless Steel	MGB & GT, 1970 on (will fit earlier models)
U8	MB19SR	Splash Shield, RH, Stainless Steel	MGB & GT, 1970 on (will fit earlier models)
U9	MB20L	Extension, Upper, Splash Shield Mounting Flange, LH	MGB & GT, 1962 on (all)
U9	MB20R	Extension, Upper, Splash Shield Mounting Flange, RH	MGB & GT, 1962 on (all)
U10	MB67L	Dash Side, Outer, Repair, Front Half, Full Height, LH	MGB & GT, 1962 on (all)
U10	MB67R	Dash Side, Outer, Repair, Front Half, Full Height, RH	MGB & GT, 1962 on (all)
U11	MB68L	Dash Side, Outer, Repair, Front Half, 3/4 Height, LH	MGB & GT, 1962 on (all)
U11	MB68R	Dash Side, Outer, Repair, Front Half, 3/4 Height, RH	MGB & GT, 1962 on (all)
U12	MB52L	Dash Side, Outer, Splash Shield Attachment Repair, LH	MGB Roadster, 1962 on (all)
U12	MB52R	Dash Side, Outer, Splash Shield Attachment Repair, RH	MGB Roadster, 1962 on (all)
U13	MB85	Crossmember, Centre, Full Width	MGB & GT, 1962 on (all)
U14	MB31	Crossmember, Centre, End Repair	MGB & GT, 1962 on (all)
U15	MB21AL	Floor, Main, Bare Panel, LH	MGB & GT, 1967 on (4 synchro)
U15	MB21AR	Floor, Main, Bare Panel, RH	MGB & GT, 1967 on (4 synchro)
U15	MB21CL	Floor, Main, Assembly, LH	MGB & GT, 1967 on (4 synchro)
U15	MB21CR	Floor, Main, Assembly, RH	MGB & GT, 1967 on (4 synchro)
U15	MB21L	Floor, Main, Bare Panel, LH	MGB & GT, 1962-67 (3 synchro)
U15	MB21R	Floor, Main, Bare Panel, RH	MGB & GT, 1962-67 (3 synchro)
U16	MB71L	Floor, Main, Repair, Outer Edge, LH	MGB & GT, 1962 on (all)
U16	MB71R	Floor, Main, Repair, Outer Edge, RH	MGB & GT, 1962 on (all)
U17	MB60L	Wheelarch, Rear, Outer, LH	MGB & GT, 1962 on (all)



MGB Inner Panels

available from your classic car retailer



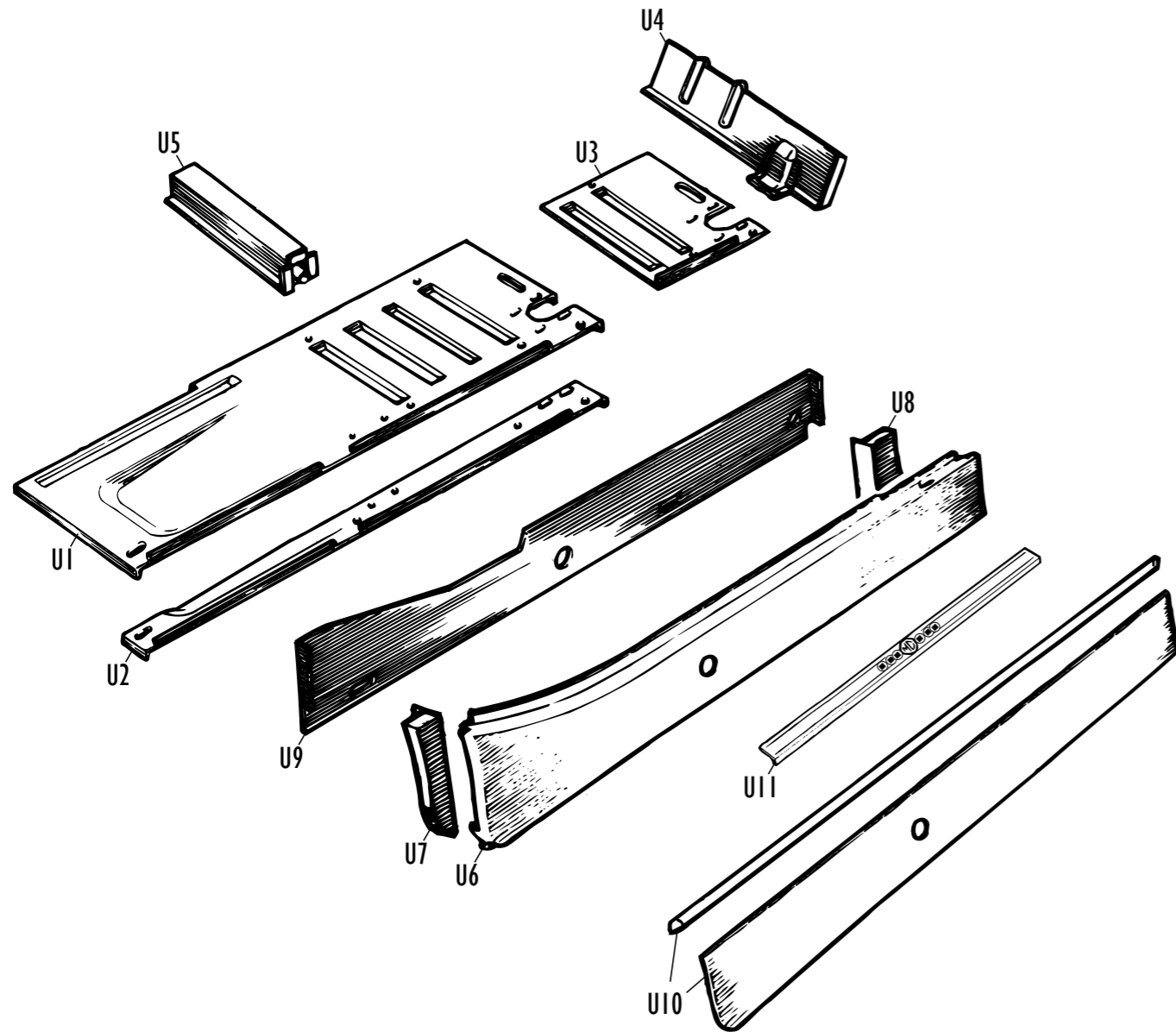
MGB Inner Panels continued

KEY	ITEM CODE	DESCRIPTION	APPLICATION
U17	MB60R	Wheelarch, Rear, Outer, RH	MGB & GT, 1962 on (all)
U18	MB55L	Wheelarch, Rear, Outer, Repair, LH	MGB & GT, 1962 on (all)
U18	MB55R	Wheelarch, Rear, Outer, Repair, RH	MGB & GT, 1962 on (all)
U19	MB92	Cover, Battery	MGB & GT, 1962-74 (chrome bumper, 6V type)
U20	MB93	Cover, Battery	MGB & GT, 1974 on (rubber bumper, 12V type)
U21	MB40	Floor, Boot, Assembly	MGB & GT, 1965-74 (chrome bumper, requires modification for 1962-64 Roadster models with strap type fuel tank or 1975 on rubber bumper models with fuel pump hole)
U22	MB50L	Floor, Boot, Outer Extension, LH	MGB & GT, 1962 on (all)
U23	MB50R	Floor, Boot, Outer Extension, RH	MGB & GT, 1962 on (all)
U24	MB98	Exhaust Mounting Bracket, Rear Valance	MGB & GT, 1962 on (all)
U25	MB95	Spare Wheel Stowage Clamp	MGB & GT, 1970 on ('Rostyle' steel wheels only)
U25	MB96	Spare Wheel Stowage Clamp	MGB & GT, 1962 on (wire wheels only)
U26	MB56L	Sidemember, Rear, Spring Hanger Repair With Closing, LH	MGB & GT, 1962-74 (chrome bumper)
U26	MB56R	Sidemember, Rear, Spring Hanger Repair With Closing, RH	MGB & GT, 1962-74 (chrome bumper)
U26	MB57L	Sidemember, Rear, Spring Hanger Repair With Closing, LH	MGB & GT, 1974 on (rubber bumper)
U26	MB57R	Sidemember, Rear, Spring Hanger Repair With Closing, RH	MGB & GT, 1974 on (rubber bumper)
U27	MB58L	Sidemember, Rear, Spring Hanger Closing Panel Only, LH	MGB & GT, 1962-74 (chrome bumper)
U27	MB58R	Sidemember, Rear, Spring Hanger Closing Panel Only, RH	MGB & GT, 1962-74 (chrome bumper)
U28	MB100	Sidemember, Rear, Bump Stop Mounting Repair Only	MGB & GT, 1962 on (all)
U29	MB99	Cover, Differential, Axle Centre	MGB & GT, 1965 on (all except banjo axle roadsters up to 1967)
U30	MB105	Cover, Pedal Box	MGB & GT, 1962-74 (chrome bumper, single line brakes only)
U31	MB94L	Dust Cover, Disc Brake, LH, Painted Finish	MGB & GT, 1962 on (all except V8)
U31	MB94R	Dust Cover, Disc Brake, RH, Painted Finish	MGB & GT, 1962 on (all except V8)
U31	MB94SL	Dust Cover, Disc Brake, LH, Stainless Steel	MGB & GT, 1962 on (all except V8)
U31	MB94SR	Dust Cover, Disc Brake, RH, Stainless Steel	MGB & GT, 1962 on (all except V8)



MG Midget/Sprite Inner Panels

available from your classic car retailer



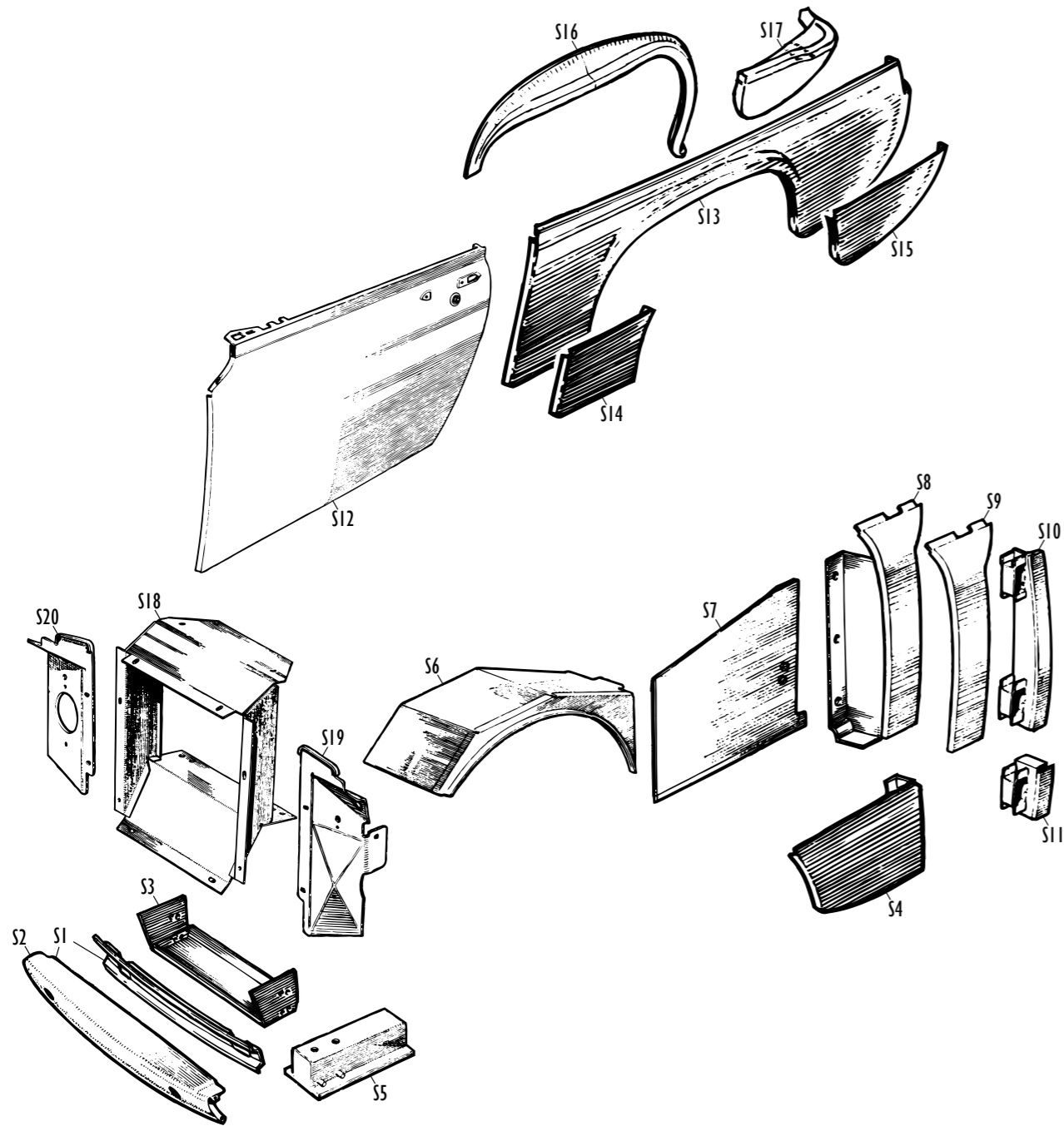
MG Midget/Sprite Inner Panels continued

KEY	ITEM CODE	DESCRIPTION	APPLICATION
U1	MS23AL	Floor, Main, Repair, Centre Tunnel to Sill, LH, 'Half Floor'	Midget & Sprite, 1958-64 (All models with quarter elliptic rear springs)
U1	MS23AR	Floor, Main, Repair, Centre Tunnel to Sill, RH, 'Half Floor'	Midget & Sprite, 1958-64 (All models with quarter elliptic rear springs)
U1	MS23L	Floor, Main, Repair, Centre Tunnel to Sill, LH, 'Half Floor'	Midget & Sprite, 1964 on (All models with semi elliptic rear springs)
U1	MS23R	Floor, Main, Repair, Centre Tunnel to Sill, RH, 'Half Floor'	Midget & Sprite, 1964 on (All models with semi elliptic rear springs)
U2	MS35L	Floor, Main, Repair, Outer Edge, LH	Midget & Sprite, 1958 on (all)
U2	MS35R	Floor, Main, Repair, Outer Edge, RH	Midget & Sprite, 1958 on (all)
U3	MS24L	Floor, Main, Repair, Rear, Spring Hanger, LH, 'Rear 1/4 Floor'	Midget & Sprite, 1964 on (All models with semi elliptic rear springs)
U3	MS24R	Floor, Main, Repair, Rear, Spring Hanger, RH, 'Rear 1/4 Floor'	Midget & Sprite, 1964 on (All models with semi elliptic rear springs)
U4	MS25L	Heelboard Repair, 'Inner Bulkhead Repair', LH, Half Height	Midget & Sprite, 1964 on (All models with semi elliptic rear springs)
U4	MS25R	Heelboard Repair, 'Inner Bulkhead Repair', LH, Half Height	Midget & Sprite, 1964 on (All models with semi elliptic rear springs)
U5	MS48	Centre Crossmember, Repair, Tunnel to Sill, 'Half Crossmember'	Midget & Sprite, 1958 on (all)
U6	MS37L	Sill, Outer, LH	Midget & Sprite, 1958-74 (with one jacking point hole, chrome bumper models, plus 1974 only rubber bumper models)
U6	MS37R	Sill, Outer, RH	Midget & Sprite, 1958-74 (with one jacking point hole, chrome bumper models, plus 1974 only rubber bumper models)
U6	MS39L	Sill, Outer, LH	Midget, 1975 on (with two jacking point holes, all rubber bumper models except for 1974 models)
U6	MS39R	Sill, Outer, RH	Midget, 1975 on (with two jacking point holes, all rubber bumper models except for 1974 models)
U7	MS26FR	Closing Panel, Outer Sill, Front, RH	Midget & Sprite, 1958 on (all)
U7	MS27FL	Closing Panel, Outer Sill, Front, LH	Midget & Sprite, 1958 on (all)
U8	MS26RR	Closing Panel, Outer Sill, Rear, RH	Midget & Sprite, 1958 on (all)
U8	MS27RL	Closing Panel, Outer Sill, Rear, LH	Midget & Sprite, 1958 on (all)
U9	MS32L	Sill, Inner, LH	Midget & Sprite, 1958 on (all, includes hole for rear jacking point on rubber bumper models)
U9	MS32R	Sill, Inner, RH	Midget & Sprite, 1958 on (all, includes hole for rear jacking point on rubber bumper models)
U10	MS34L	Over Sill, Stainless Steel, Sill Outer, LH	Midget & Sprite, 1958-74 (with one jacking point hole, chrome bumper models, plus 1974 only rubber bumper models)
U10	MS34R	Over Sill, Stainless Steel, Sill Outer, RH	Midget & Sprite, 1958-74 (with one jacking point hole, chrome bumper models, plus 1974 only rubber bumper models)
U10	MS33L	Over Sill, Stainless Steel, Sill Outer, LH	Midget, 1975 on (with two jacking point holes, all rubber bumper models except for 1974 models)
U10	MS33R	Over Sill, Stainless Steel, Sill Outer, RH	Midget, 1975 on (with two jacking point holes, all rubber bumper models except for 1974 models)
U11	MS38/MID	Tread Plate, 'Threshold Plate', Stainless Steel, 'Midget' Script	Midget, 1961 on (all)
U11	MS38/SPR	Tread Plate, 'Threshold Plate', Stainless Steel, 'Sprite' Script	Sprite, 1958 on (all)



MG Midget/Sprite Outer Panels

available from your classic car retailer



KEY	ITEM CODE	DESCRIPTION	APPLICATION
S1	MS11	Valance, Front, 'Body Front Lower', With Stiffener	Midget & Sprite, 1961-74 (chrome bumper, not Sprite Mk I 'Frogeye' 1958-61)
S1	MS09	Valance, Front, 'Body Front Lower', With Stiffener	Midget 1500, 1974 on (rubber bumper)
S2	MS10	Valance, Front, 'Body Front Lower', Skin Only	Midget & Sprite, 1961-74 (chrome bumper, not Sprite Mk I 'Frogeye' 1958-61)
S2	MS08	Valance, Front, 'Body Front Lower', Skin Only	Midget 1500, 1974 on (rubber bumper)
S3	MS42	Mounting Tray, Front Valance Repair, 'Radiator Tray'	Midget & Sprite, 1961 on (all models except Sprite Mk I 'Frogeye' 1958-61)
S4	MS15L	Wing Repair, Front Wing, Rear Lower, 1/4 Height, LH	Midget & Sprite, 1961-74 (chrome bumper, with modification will fit Sprite Mk I 'Frogeye' 1958-61)
S4	MS15R	Wing Repair, Front Wing, Rear Lower, 1/4 Height, RH	Midget & Sprite, 1961-74 (chrome bumper, with modification will fit Sprite Mk I 'Frogeye' 1958-61)
S4	MS16L	Wing Repair, Front Wing, Rear Lower, 1/4 Height, LH	Midget 1500, 1974 on (rubber bumper)

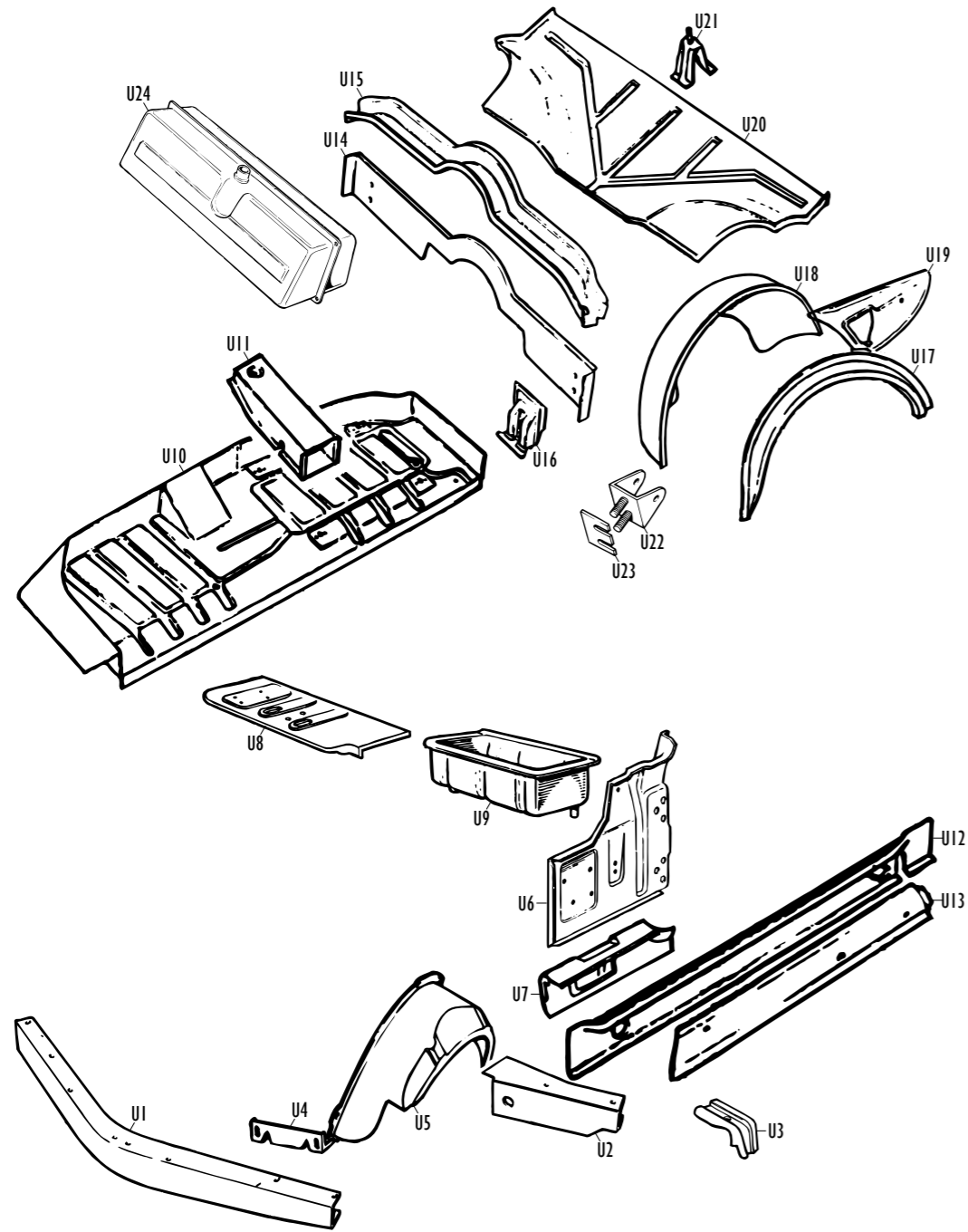
MG Midget/Sprite Outer Panels continued

KEY	ITEM CODE	DESCRIPTION	APPLICATION
S4	MS16R	Wing Repair, Front Wing, Rear Lower, 1/4 Height, RH	Midget 1500, 1974 on (rubber bumper)
S5	MS40L	Front Sidemember Repair, Forward of Crossmember, LH	Midget & Sprite, 1961-74 (chrome bumper models, with modifications will fit early models without anti roll bar)
S5	MS40R	Front Sidemember Repair, Forward of Crossmember, RH	Midget & Sprite, 1961-74 (chrome bumper models, with modifications will fit early models without anti roll bar)
S6	MS51L	Wheelarch, Front, Top and Outer Side, LH	Midget & Sprite, 1961 on (all models except Sprite Mk I 'Frogeye' 1958-61)
S6	MS51R	Wheelarch, Front, Top and Outer Side, RH	Midget & Sprite, 1961 on (all models except Sprite Mk I 'Frogeye' 1958-61)
S7	MS47L	Footwell Outer Side Assembly, LH	Midget & Sprite, 1958 on (all)
S7	MS47R	Footwell Outer Side Assembly, RH	Midget & Sprite, 1958 on (all)
S8	MS18L	A Post Assembly, Outer and Inner, LH	Midget & Sprite, 1964 on (all wind-up window models, with modification will fit earlier models)
S8	MS18R	A Post Assembly, Outer and Inner, RH	Midget & Sprite, 1964 on (all wind-up window models, with modification will fit earlier models)
S9	MS17L	A Post Outer Skin, Full Height, LH	Midget & Sprite, 1964 on (all wind-up window models, with modification will fit earlier models)
S9	MS17R	A Post Outer Skin, Full Height, LH	Midget & Sprite, 1964 on (all wind-up window models, with modification will fit earlier models)
S10	MS21AL	A Post Inner, 3/4 height, Without Check Strap Stiffener, LH	Midget & Sprite, 1958 on (all)
S10	MS21AR	A Post Inner, 3/4 height, Without Check Strap Stiffener, RH	Midget & Sprite, 1958 on (all)
S10	MS21L	A Post Inner, 3/4 height, With Box Check Strap Stiffener, LH	Midget & Sprite, 1971 on (all interior light models with courtesy light switch)
S10	MS21R	A Post Inner, 3/4 height, With Box Check Strap Stiffener, RH	Midget & Sprite, 1971 on (all interior light models with courtesy light switch)
S11	MS20L	A Post Inner, Lower Hinge Mounting Repair, LH	Midget & Sprite, 1958 on (all)
S11	MS20R	A Post Inner, Lower Hinge Mounting Repair, RH	Midget & Sprite, 1958 on (all)
S12	MS22L	Door Outer Panel, 'Skin', LH	Midget & Sprite, 1964 on (all wind-up window models)
S12	MS22R	Door Outer Panel, 'Skin', RH	Midget & Sprite, 1964 on (all wind-up window models)
S13	MS28L	Wing Repair, Rear Wing, Lower Half, LH	Midget & Sprite, 1961-72 (square wheel arch chrome bumper models, not Sprite Mk I 'Frogeye' 1958-61 or round wheel arch 1972-74 models, with modifications will fit square wheel arch rubber bumper models)
S13	MS28R	Wing Repair, Rear Wing, Lower Half, RH	Midget & Sprite, 1961-72 (square wheel arch chrome bumper models, not Sprite Mk I 'Frogeye' 1958-61 or round wheel arch 1972-74 models, with modifications will fit square wheel arch rubber bumper models)
S14	MS30L	Wing Repair, Rear Wing, Front Lower, 1/4 Height, LH	Midget & Sprite, 1958 on (all)
S14	MS30R	Wing Repair, Rear Wing, Front Lower, 1/4 Height, RH	Midget & Sprite, 1958 on (all)
S15	MS29L	Wing Repair, Rear Wing, Rear Lower, 1/4 Height, LH	Midget & Sprite, 1958-74 (chrome bumper models, with modifications will fit rubber bumper models)
S15	MS29R	Wing Repair, Rear Wing, Rear Lower, 1/4 Height, RH	Midget & Sprite, 1958-74 (chrome bumper models, with modifications will fit rubber bumper models)
S16	MS45L	Wheelarch, Rear, Outer, Repair, LH	Midget & Sprite, 1961-72 & 1974 on (square wheel arch chrome and rubber bumper models, not Sprite Mk I 'Frogeye' 1958-61 or round wheel arch 1972-74 models)
S16	MS45R	Wheelarch, Rear, Outer, Repair, RH	Midget & Sprite, 1961-72 & 1974 on (square wheel arch chrome and rubber bumper models, not Sprite Mk I 'Frogeye' 1958-61 or round wheel arch 1972-74 models)
S17	MS44L	Floor, Boot, Outer Extension, LH	Midget & Sprite, 1961 on (all models except Sprite Mk I 'Frogeye' 1958-61)
S17	MS44R	Floor, Boot, Outer Extension, RH	Midget & Sprite, 1961 on (all models except Sprite Mk I 'Frogeye' 1958-61)
S18	MS52	Cowling Assembly, Radiator	Midget & Sprite, 1968-74 (1275cc models with crossflow radiator)
S19	MS54	Splash Shield, Radiator Side, LH	Midget & Sprite, 1961-74 (all chrome bumper models except Sprite Mk I 'Frogeye' 1958-61)
S20	MS55	Splash Shield, Radiator Side, RH	Midget & Sprite, 1961-74 (all chrome bumper models except Sprite Mk I 'Frogeye' 1958-61)



Triumph Spitfire Inner Panels

available from your classic car retailer



KEY	ITEM CODE	DESCRIPTION	APPLICATION
U1	TS26	Front Crossmember, Chassis, Bonnet Support	Spitfire, 1962-80 (all), GT6, 1966-73 (all)
U2	TS45L	Outrigger, Chassis Front, 'A Post Outrigger', LH	Spitfire, 1970 on (Mk IV & 1500 models)
U2	TS45R	Outrigger, Chassis Front, 'A Post Outrigger', RH	Spitfire, 1970 on (Mk IV & 1500 models)
U3	TS53L	Mounting Bracket, Body to Front Outrigger, LH	Spitfire, 1962-80 (all), GT6, 1966-73 (all)
U3	TS53R	Mounting Bracket, Body to Front Outrigger, LH	Spitfire, 1962-80 (all), GT6, 1966-73 (all)
U4	TS48	Bracket, Front Quarter Valance	Spitfire, 1970 on (Mk IV & 1500 models), GT6, 1970-73 (Mk III models)
U5	TS36L	Wheelarch, Front, Outer, LH	Spitfire, 1970 on (Mk IV & 1500), GT6, 1970-73 (Mk III)

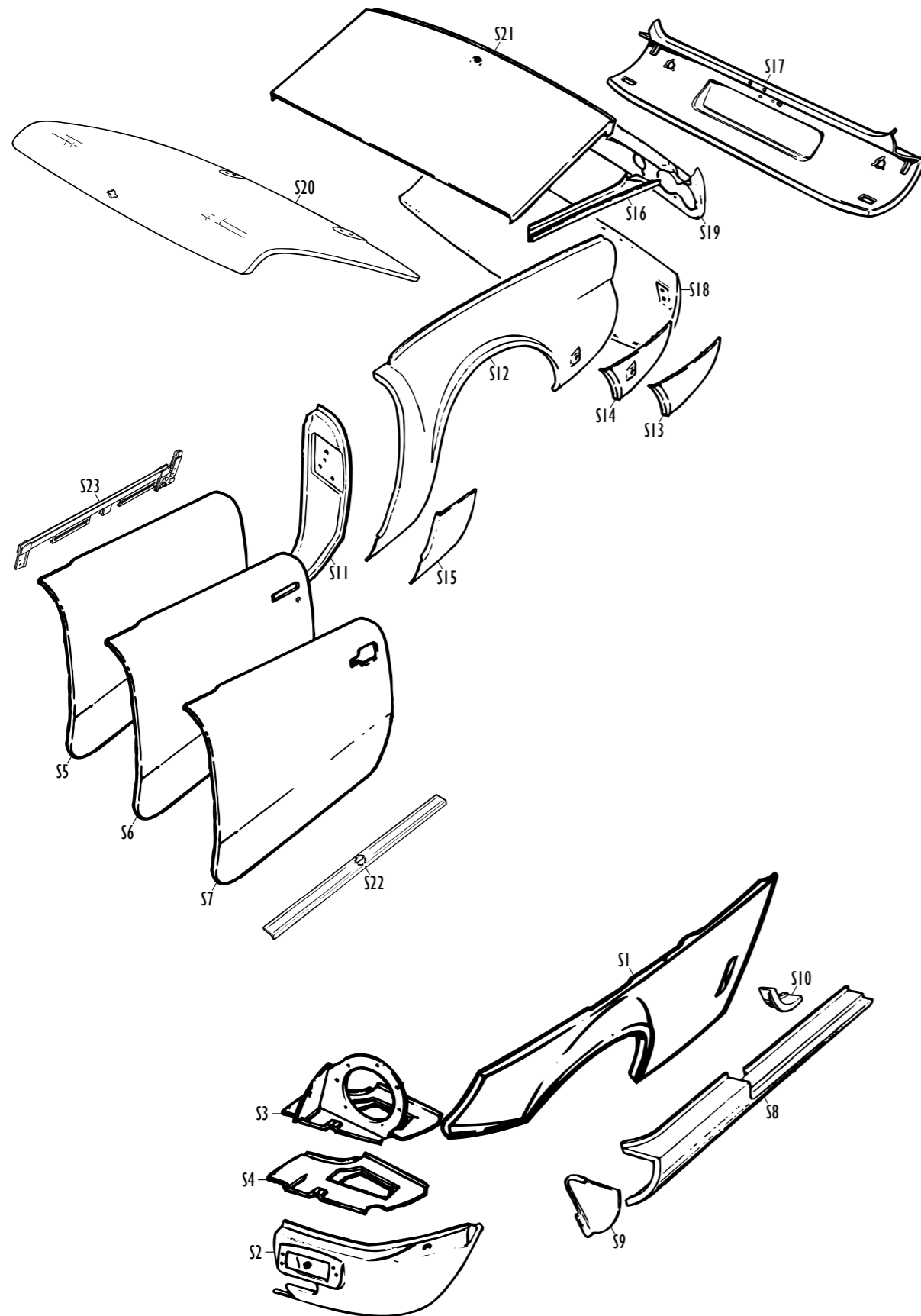
Triumph Spitfire Inner Panels continued

KEY	ITEM CODE	DESCRIPTION	APPLICATION
U5	TS36R	Wheelarch, Front, Outer, RH	Spitfire, 1970 on (Mk IV & 1500), GT6, 1970-73 (Mk III)
U6	TS52AL	A Post Upper Assembly, LH, With Tapped Plates	Spitfire, 1962-80 (all), GT6, 1966-73 (all)
U6	TS52AR	A Post Upper Assembly, RH, With Tapped Plates	Spitfire, 1962-80 (all), GT6, 1966-73 (all)
U7	TS52L	A Post Lower Panel, LH	Spitfire, 1962-80 (all), GT6, 1966-73 (all)
U7	TS52R	A Post Lower Panel, RH	Spitfire, 1962-80 (all), GT6, 1966-73 (all)
U8	TS67	Master Cylinder Shelf Repair, Dash Bulkhead Top	Spitfire, 1962-80 (all RHD models), GT6, 1966-73 (all RHD models)
U9	TS43LHD	Battery Box	Spitfire, 1962-80 (all LHD models), GT6, 1966-73 (all LHD models)
U9	TS43RHD	Battery Box	Spitfire, 1962-80 (all RHD models), GT6, 1966-73 (all RHD models)
U10	TS22L	Floor, Main, Repair, Centre Tunnel to Sill, LH, 'Half Floor'	Spitfire, 1962-80 (all), GT6, 1966-73 (all)
U10	TS22R	Floor, Main, Repair, Centre Tunnel to Sill, RH, 'Half Floor'	Spitfire, 1962-80 (all), GT6, 1966-73 (all)
U11	TS25	Centre Crossmember, Repair, Tunnel to Sill, 'Half Crossmember'	Spitfire, 1962-80 (all), GT6, 1966-73 (all)
U12	TS18L	Sill, Inner, LH	Spitfire, 1962-80 (all), GT6, 1966-73 (all)
U12	TS18R	Sill, Inner, RH	Spitfire, 1962-80 (all), GT6, 1966-73 (all)
U13	TS17L	Reinforcement, Sill, Inner, LH	Spitfire, 1962-80 (all), GT6, 1966-73 (all)
U13	TS17R	Reinforcement, Sill, Inner, LH	Spitfire, 1962-80 (all), GT6, 1966-73 (all)
U14	TS54	Heelboard Panel, Main Floor Rear	Spitfire, 1962-80 (all), GT6, 1966-73 (all)
U15	TS62	Crossmember, Rear Seat Pan to Heelboard	Spitfire, 1962-80 (all), GT6, 1966-73 (all)
U16	TS55	Mounting Bracket, Rear Suspension to Heelboard	Spitfire, 1962-80 (all), GT6, 1966-73 (all)
U17	TS50L	Wheelarch, Rear, Outer, LH	Spitfire, 1970 on (Mk IV & 1500 models), GT6, 1970-73 (Mk III models)
U17	TS50R	Wheelarch, Rear, Outer, RH	Spitfire, 1970 on (Mk IV & 1500 models), GT6, 1970-73 (Mk III models)
U18	TS64L	Wheelarch, Rear, Inner, LH	Spitfire, 1962-80 (all), GT6, 1966-73 (all models, does not include shock absorber bracket found on Rotoflex suspension models)
U18	TS64R	Wheelarch, Rear, Inner, RH	Spitfire, 1962-80 (all), GT6, 1966-73 (all models, does not include shock absorber bracket found on Rotoflex suspension models)
U19	TS51L	Rear Inner Wing Repair, LH, 'Inner Wing Rear Lower Quarter'	Spitfire, 1970 on (Mk IV & 1500 models), GT6, 1970-73 (Mk III models)
U19	TS51R	Rear Inner Wing Repair, RH, 'Inner Wing Rear Lower Quarter'	Spitfire, 1970 on (Mk IV & 1500 models), GT6, 1970-73 (Mk III models)
U20	TS30	Floor, Boot, One Piece, Full Width	Spitfire, 1962-80 (all), GT6, 1966-73 (all)
U21	TS40	Spare Wheel Bracket, Boot Floor	Spitfire, 1970 on (MkIV & 1500 models), GT6, 1970-73 (Mk III models)
U22	TS58	Pivot Bracket, Radius Arm, Not Handed	GT6, 1968-72 (all Mk II models, plus 1970-72 Mk III models with Rotoflex suspension, not 1973 Mk III models with swing spring suspension)
U22	TS59L	Pivot Bracket, Radius Arm, LH	Spitfire, 1962-72 (all Mk I 'Spitfire 4', Mk II, Mk III, Mk IV models up to VIN FH50000 with early type radius arms)
U22	TS59R	Pivot Bracket, Radius Arm, RH	Spitfire, 1962-72 (all Mk I 'Spitfire 4', Mk II, Mk III, Mk IV models up to VIN FH50000 with early type radius arms)
U22	TS60L	Pivot Bracket, Radius Arm, LH	Spitfire, 1973 on (Mk IV from VIN FH500001 on with late type radius arms, all 1500)
U22	TS60R	Pivot Bracket, Radius Arm, RH	Spitfire, 1973 on (Mk IV from VIN FH500001 on with late type radius arms, all 1500)
U23	TS61	Shim, Radius Arm Pivot Bracket, Selective Fitment	Spitfire, 1962-80 (all), GT6, 1966-67 & 1973 (all Mk I models, plus 1973 Mk III models with swing spring suspension)
U24	TS311589	Fuel Tank Assembly	Spitfire, 1962-70 (All Mk I 'Spitfire 4', Mk II & Mk III, except North American Spec Mk III)
U24	TS3395	Fuel Tank Assembly	Spitfire, 1970 on (Mk IV & 1500, except North American Spec models)



Triumph Spitfire Outer Panels

available from your classic car retailer



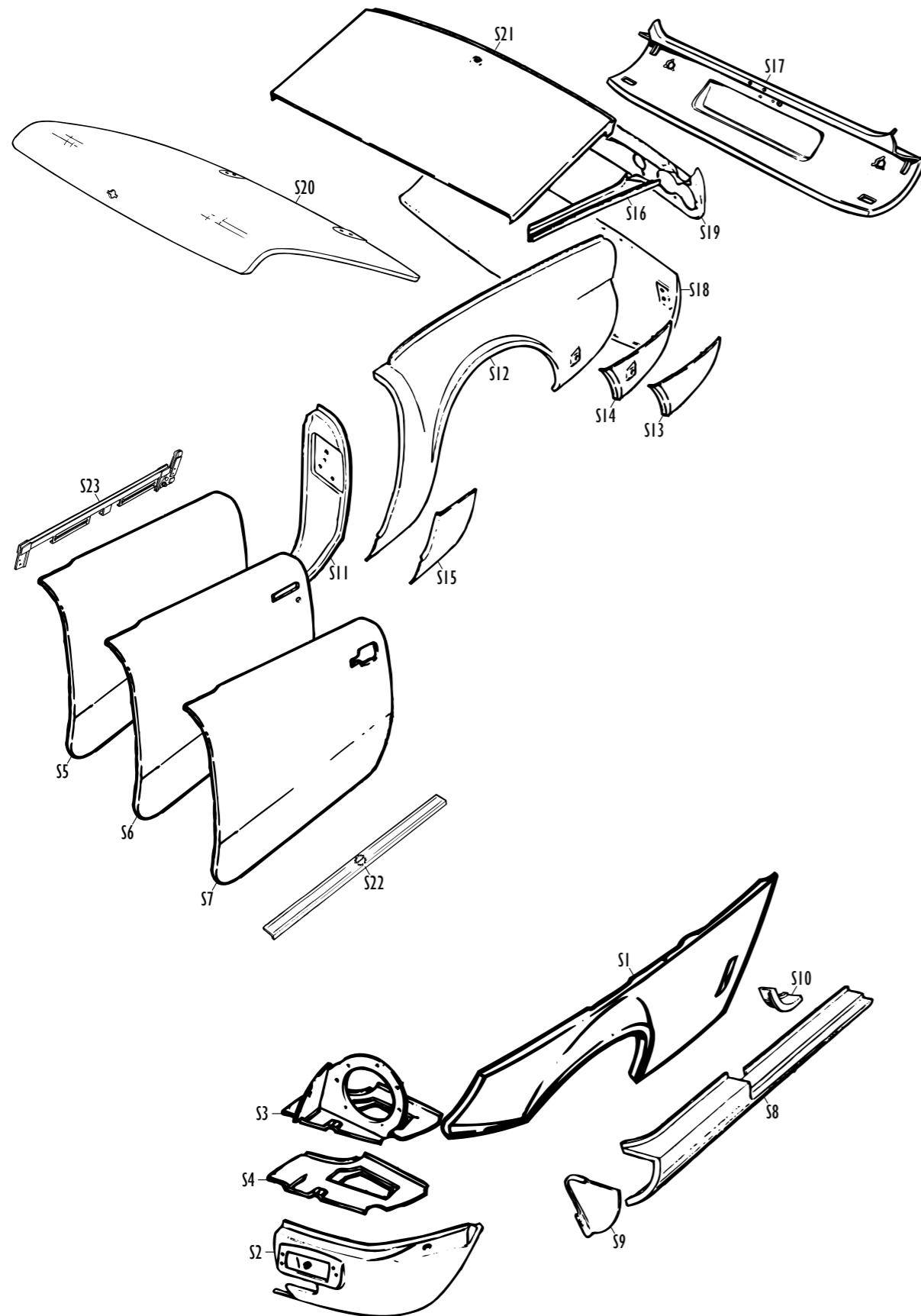
Triumph Spitfire Outer Panels continued

KEY	ITEM CODE	DESCRIPTION	APPLICATION
S1	TS32L	Wing, Front, LH	Spitfire, 1970 on (Mk IV & 1500, requires piercing for marker lights for North American Specification), GT6, 1970-73 (Mk III, requires piercing for marker lights for North American Specification)
S1	TS32R	Wing, Front, RH	Spitfire, 1970 on (Mk IV & 1500, requires piercing for marker lights for North American Specification), GT6, 1970-73 (Mk III, requires piercing for marker lights for North American Specification)
S2	TS31L	Quarter Valance, Front, LH	Spitfire, 1970 on (Mk IV & 1500 models), GT6, 1970-73 (Mk III models)
S2	TS31R	Quarter Valance, Front, RH	Spitfire, 1970 on (Mk IV & 1500 models), GT6, 1970-73 (Mk III models)
S3	TS38L	Mounting Assembly, Headlamp, LH	Spitfire, 1970 on (Mk IV & 1500 models), GT6, 1970-73 (Mk III models)
S3	TS38R	Mounting Assembly, Headlamp, RH	Spitfire, 1970 on (Mk IV & 1500 models), GT6, 1970-73 (Mk III models)
S4	TS39L	Mounting Repair, Headlamp, Lower Panel Only, LH	Spitfire, 1970 on (Mk IV & 1500 models), GT6, 1970-73 (Mk III models)
S4	TS39R	Mounting Repair, Headlamp, Lower Panel Only, RH	Spitfire, 1970 on (Mk IV & 1500 models), GT6, 1970-73 (Mk III models)
S5	TS11AL	Door Outer Panel, 'Skin', LH	Spitfire, 1962-65 (All Mk I 'Spitfire 4', early Mk II with pull out door handles)
S5	TS11AR	Door Outer Panel, 'Skin', RH	Spitfire, 1962-65 (All Mk I 'Spitfire 4', early Mk II with pull out door handles)
S6	TS11L	Door Outer Panel, 'Skin', LH	Spitfire, 1966-70 (later Mk II with push button door handles, all Mk III), GT6, 1966-70 (Mk I & Mk II)
S6	TS11R	Door Outer Panel, 'Skin', RH	Spitfire, 1966-70 (later Mk II with push button door handles, all Mk III), GT6, 1966-70 (Mk I & Mk II)
S7	TS12L	Door Outer Panel, 'Skin', LH	Spitfire, 1970 on (Mk IV & 1500), GT6, 1970-73 (Mk III)
S7	TS12R	Door Outer Panel, 'Skin', RH	Spitfire, 1970 on (Mk IV & 1500), GT6, 1970-73 (Mk III)
S8	TS16L	Sill, Outer, LH	Spitfire, 1962-80 (all), GT6, 1966-73 (all)
S8	TS16R	Sill, Outer, RH	Spitfire, 1962-80 (all), GT6, 1966-73 (all)
S9	TS13L	Closing Panel, Outer Sill, Front, LH	Spitfire, 1962-80 (all), GT6, 1966-73 (all)
S9	TS13R	Closing Panel, Outer Sill, Front, RH	Spitfire, 1962-80 (all), GT6, 1966-73 (all)
S10	TS10L	A Post Lower Corner Filler, LH	Spitfire, 1962-80 (all), GT6, 1966-73 (all)
S10	TS10R	A Post Lower Corner Filler, LH	Spitfire, 1962-80 (all), GT6, 1966-73 (all)
S11	TS46L	B Post Assembly, LH	Spitfire, 1966 on (later Mk II with push button door handles, all Mk III, all Mk IV & 1500), GT6, 1966 on (all)
S11	TS46R	B Post Assembly, RH	Spitfire, 1966 on (later Mk II with push button door handles, all Mk III, all Mk IV & 1500), GT6, 1966 on (all)
S12	TS33L	Wing, Rear, LH	Spitfire, 1970 on (Mk IV & 1500, requires piercing for marker lights for North American Specification), GT6, 1970-73 (Mk III, requires piercing for marker lights for North American Specification)
S12	TS33R	Wing, Rear, RH	Spitfire, 1970 on (Mk IV & 1500, requires piercing for marker lights for North American Specification), GT6, 1970-73 (Mk III, requires piercing for marker lights for North American Specification)
S13	TS66L	Wing Repair, Rear Wing, Rear Lower, 1/4 Height, LH	Spitfire, 1962-70 (All Mk I 'Spitfire 4', Mk II & Mk III), GT6, 1966-70 (Mk I & Mk II)
S13	TS66R	Wing Repair, Rear Wing, Rear Lower, 1/4 Height, RH	Spitfire, 1962-70 (All Mk I 'Spitfire 4', Mk II & Mk III), GT6, 1966-70 (Mk I & Mk II)
S14	TS21L	Wing Repair, Rear Wing, Rear Lower, 1/4 Height, LH	Spitfire, 1970 on (Mk IV & 1500), GT6, 1970-73 (Mk III)
S14	TS21R	Wing Repair, Rear Wing, Rear Lower, 1/4 Height, RH	Spitfire, 1970 on (Mk IV & 1500), GT6, 1970-73 (Mk III)
S15	TS20L	Wing Repair, Rear Wing, Front Lower, 1/4 Height, LH	Spitfire, 1962-80 (all), GT6, 1966-73 (all)
S15	TS20R	Wing Repair, Rear Wing, Front Lower, 1/4 Height, RH	Spitfire, 1962-80 (all), GT6, 1966-73 (all)
S16	TS56L	Drain Channel, Boot Lid Aperture Side, LH	Spitfire, 1970 on (Mk IV & 1500 models)
S16	TS56R	Drain Channel, Boot Lid Aperture Side, RH	Spitfire, 1970 on (Mk IV & 1500 models)



Triumph Spitfire Outer Panels

available from your classic car retailer



Triumph Spitfire Outer Panels continued

KEY	ITEM CODE	DESCRIPTION	APPLICATION
S17	TS27	Valance, Rear, 'Body Rear Lower'	Spitfire, 1962-70 (All Mk I 'Spitfire 4', Mk II & Mk III), GT6, 1966-70 (Mk I & Mk II)
S18	TS28	Valance, Rear, 'Body Rear Lower'	Spitfire, 1970 on (Mk IV & 1500), GT6, 1970-73 (Mk III)
S19	TS41	Rear Lamp Panel	Spitfire, 1970 on (Mk IV and 1500 models)
S20	TS65	Boot Lid Panel, Without Reinforcement Frame	Spitfire, 1962-70 (All Mk I 'Spitfire 4', Mk II & Mk III)
S21	TS42	Boot Lid Assembly	Spitfire, 1970 on (Mk IV and 1500 models)
S22	TS19/TR6	Tread Plate, 'Threshold Plate', Stainless Steel, 'TR6' Script	TR6, 1968-76 (all)
S22	TS19/TRI	Tread Plate, 'Threshold Plate', Stainless Steel, 'Triumph' Script	Spitfire, 1962-80 (all), GT6, 1966-73 (all), TR6, 1968-76 (all)
S23	TS57L	Door Drop Glass Lift Channel, LH	Spitfire, 1962-80 (all)
S23	TS57R	Door Drop Glass Lift Channel, RH	Spitfire, 1962-80 (all)



LEAF SPRINGS



Leaf springs that carry the British Motor Heritage logo have been exclusively manufactured in conjunction with GB Springs Ltd, a UK based company with access to all of the original manufacturer's specifications, this guarantees their quality and fit.

All of the British Motor Heritage leaf springs are batch tested to ensure that the original standards are maintained.

MAKE	PART NUMBER	APPLICATION
MGB	GSV1006	MGB Roadster Chrome Bumper
MGB	BHH1779	MGB Roadster Rubber Bumper
MGB	AHC31	MGB GT Chrome Bumper
MGB	BHH1767	MGB GT Rubber Bumper
MGB	BHH1133	MGB V8 Roadster & GT Chrome Bumper
MGB	BHH1771	MGB V8 Roadster & GT Rubber Bumper
MGB	AHT20Z	MGB all models, uprated, 2" lower ride height
MGB	AHC797Z	MGC Roadster
MGB	AHC791Z	MGC GT
Sprite/Midget	AHA5468	Heavy Duty Sprite Quarter Elliptic
Sprite/Midget	AHA8093	Sprite Mk III & Midget Mk II
Sprite/Midget	CHA493	Midget 1500
MG	AHH5461Z	MGA
MG T Type	454-430	TA/TB Front

MAKE	PART NUMBER	APPLICATION
MG T Type	454-435	TA/TB Rear
MG T Type	AAA843X	TC Front
MG T Type	AAA846X	TC Rear
MG T Type	AAA2372	TD
MG T Type	AAA5031	TF
Triumph	208636	TR2-4
Triumph	209964	TR2-4 Deepdish
Triumph	301017	TR2-4 Raised 6mm
Triumph	TT4016	TR2-4 Uprated
Triumph	212113	TR4A
Triumph	305894	Spitfire Mk3
Triumph	159640Z	Spitfire Mk4/1500
Triumph	308499	GT6
Austin Healey	11B5266X	AH3000



Tex Motor Accessories have been manufactured in England for over 50 years and are still being produced at our facility in Witney, Oxfordshire, with many of the parts still produced on the original tooling.

The company commenced supply of parts to British manufacturers in 1947 and quickly grew to be a major supplier of windscreen wipers and interior mirrors to the recovering British motor industry.

Tex established a major presence in the design and supply of vehicle wing mirrors, which were a major item for both OEM and dealer fitment all the way through to the mid-1970s. Windscreen wash systems were added to the range as they became a manufacturer standard fit.

Tex's decline as an OEM supplier was prompted by the move to the manufacturer fit of external rear view mirrors. This effectively removed a significant percentage of the company's turnover just when it needed to invest in the increasingly sophisticated wiper and wash systems that were also coming into fashion. As a result, the company was downsized and sold in the 1980s and the name changed to MRM-TEX Ltd in 1986.

The current moniker of Tex Automotive Ltd was adopted in 1995, following a move from London to Witney. The

firm was acquired by British Motor Heritage (BMH) in May 2008 and relocated within our premises shortly afterwards.

Using only the best quality steel and chrome parts the foundations of the range are Classic Mirrors and Stainless Steel wiper arms and blades – standard fit on most vehicles produced between the 1950's and 1980's.

Tex can also offer a bespoke wiper arm tailored to your specific length and angle of crank, so should be able to satisfy the wiper requirements for the rarest of vehicles.

Tex are also major distributors of the Renovo car care product range (specialising in hood refurbishment) and Samco Silicone hose Kits.

The Tex Automotive website has a wide range of product for the maintenance of your classic cars. Together with accessories and collectables, Tex are the complete store for the classic car enthusiast and workshop.

Tex Automotive Limited

Range Road, Cotswold Business Park, Witney, OX29 0YB United Kingdom

T: +44 (0)1993 893500 | E: info@texautomotive.com

www.texautomotive.com





Manufacturers of hoods, tonneau covers, side screens to the trade

CHT specialise in producing quality soft tops, side screens, tonneau covers and hood covers for MGs, Triumph and Austin Healey.



Established in 1934, Coventry Hood & Side screen as it was originally called was part of C H Industries Group.

Originally based in Coventry, the company produced weather protection products for classic British sports cars. The array of products produced was vast, producing soft tops, side screens, tonneau covers and hood covers for MGs, Triumph, Morris and Austin, becoming the

world's biggest producer of soft tops up to the withdrawal of British Leyland from the sports car market.

The company went on to have dual manufacturing plants the, original in Coventry and a second in Telford Shropshire. As the weather protection side of business fell away, CHS was still a leading supplier to the MOD and Land Rover. Eventually production at Telford ceased and production moved back to Coventry.



Coventry Hood & Tonneau Limited

Range Road, Cotswold Business Park, Witney, OX29 0YB United Kingdom

T: +44 (0)1993 707200 | E: sales@bhm-ltd.com



Concours Carpets supply quality fitted carpet kits for almost any classic car sourcing the highest quality materials and using traditional in-house skills to achieve the best results for the refurbishment of the interiors of classic cars.



Concours Carpets Limited

Range Road, Cotswold Business Park, Witney, OX29 0YB United Kingdom

T: +44 (0)1993 707200 | E: sales@concourscarpets.com





Classical Dash specialises in the meticulous restoration and re-manufacture of dashboards and veneer trims for the classic and vintage car market.



With a skilled team and a commitment to craftsmanship, the company delivers high-quality, authentically finished components trusted by renowned automotive enthusiasts and manufacturers, including Aston Martin Lagonda and the Morgan Motor Company.



Classical Dash

Range Road, Cotswold Business Park, Witney, OX29 0YB United Kingdom
T: +44 (0)1993 707200 | **E:** sales@bmh-ltd.com



BRITISH MOTOR HERITAGE

We're not just about Classic Cars

BMH is equipped to support businesses that require skilled craftsmanship, reliable production and dependable engineering support beyond the classic car market.

While we are widely known for our work with classic vehicles, BMH also offers a broad range of specialist manufacturing and engineering services. Our facilities support everything from precision TIG and MIG welding to laser cutting, small-run pressings and bare-metal straightening.

We provide complete project management, tooling development and sub-assembly work, ensuring every stage is handled with care and expertise.

Our team can also deliver high-quality Pre-Linishing and final assembly for a variety of components and projects.

Ask the team for more information about;

-  **TIG Welding**
-  **Project Management**
-  **MIG Welding**
-  **Laser Cutting**
-  **Sub Assembly work**
-  **Pre-Linishing**
-  **Tooling Project Management**
-  **Bare Metal Straightening**
-  **Small Run Pressing Capability**
-  **Small Volume Sourcing**
-  **Final Assembly**
-  **Short Run Prototyping**





BRITISH MOTOR HERITAGE

British Motor Heritage Limited

Range Road, Witney, Oxon OX29 0YB

Telephone: 01993 707200 | **email:** sales@bmh-ltd.com

www.bmh-ltd.com