



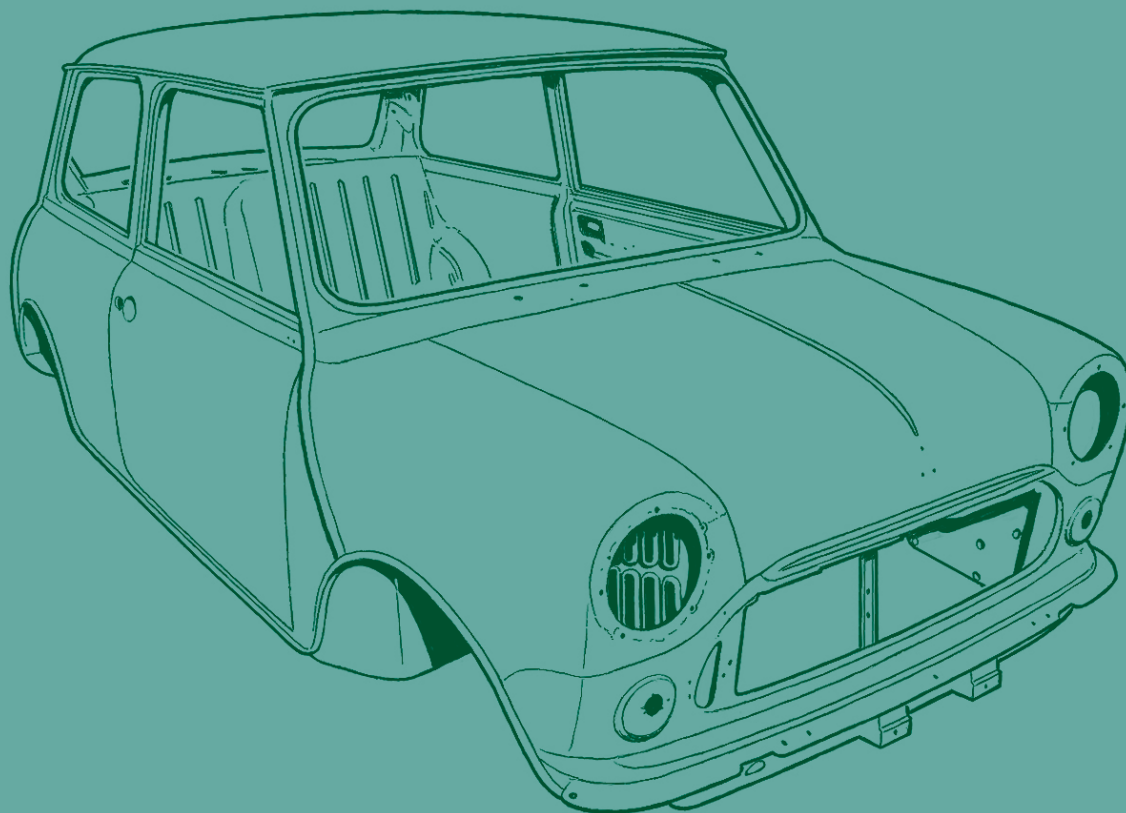
British Motor Heritage Limited



MINI

Parts guide and price list

2011



British Motor Heritage traces its roots back to 1975 when it was part of British Leyland. We have now been producing new bodysells and panelwork for British classic cars for over twenty five years. When the last MGBs and MG Midgets rolled off the production lines at Abingdon, and more recently the Mini at Longbridge, Heritage took over the original press dies and jigs to continue the manufacture of genuine replacement panels and bodysells. We currently manufacture forty-two derivatives and to date have supplied over 6000 bodysells to support restoration projects by enthusiastic owners of these iconic cars.

British Motor Heritage is now an independent company staffed by professionals with a genuine passion for classic vehicles. Experts in the Classic sector, we are always ready to help out the private owner by sharing our knowledge and experience.

The Heritage factory, situated in rural Oxfordshire, houses purpose built production facilities alongside storage, distribution and administration. Organised parties of enthusiasts and clubs are always welcome by appointment to see their favourite marque in production.

While many of our workforce learnt their skills with the original production of these classic cars, we believe that the training and development of new people is critical to the continuation of Heritage brand values. This is why we run our own apprenticeship scheme to ensure the retention of the traditional skills and craftsmanship which, while becoming increasingly rare, remain an essential element of producing our products.

British Motor Heritage is a BS ISO 9001 - 2000 accredited supplier to Jaguar, LandRover, London Taxi International and X Part (MG Rover parts) for original equipment aftermarket components. The Company also distributes a comprehensive range of Heritage products through the worldwide network of Heritage Approved Specialists.

Heritage and the Mini

British Motor Heritage manufacture a wide range of products for the Classic Mini, from the smallest panel to a complete bodysell, a fully built subframe to badges and trim. The Heritage brand is synonymous the world over with quality and originality. Mini Owners choose Heritage parts not only to ensure the originality of their motor cars, but also to have the assurance of original equipment quality, particularly in safety critical areas.

Contents

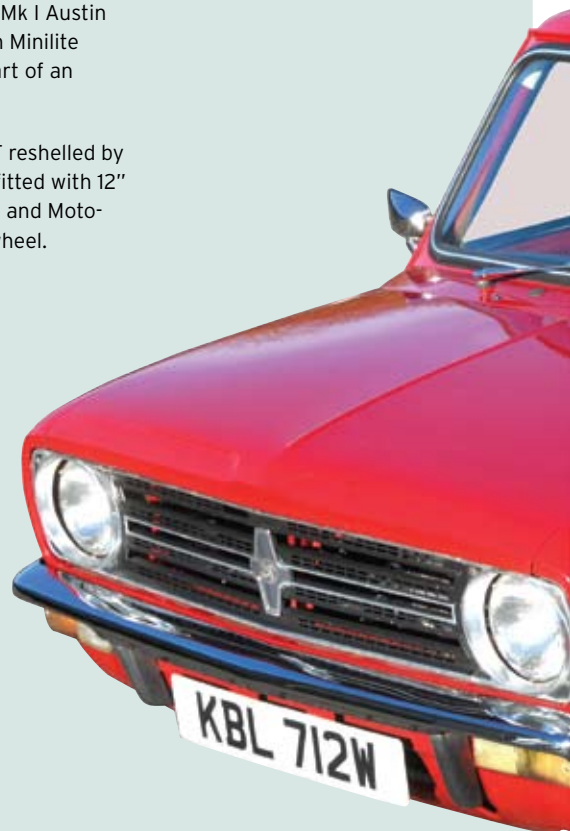
2 - 3	Introduction to Heritage
4 - 5	Mini Underframe and Skin Panels
6	Clubman Panels and All Subframes
7	Commercial Parts and All Valances
8	Other Heritage Original Mini Parts
9	Heritage Approved Mini Specialists
10 - 11	Mini Bodysells
12	Samco Silicone Hoses
13	EBC Brakes and Goodridge Hoses
14	Tex Mirrors and Wipers
15	Minilite Wheels
15	Moto-Lita Steering Wheels

All prices quoted within the brochure include 20% VAT



Above. Top, The last Mini Classics - Mini Cooper, Mini Cooper Seven, Mini Cooper Sport, and below is a Mk I Austin Cooper 'S' with Minilite wheels, the start of an iconic dynasty.

Below. 1275 GT reshelled by Heritage, and fitted with 12" Minilite wheels and Moto-Lita steering wheel.





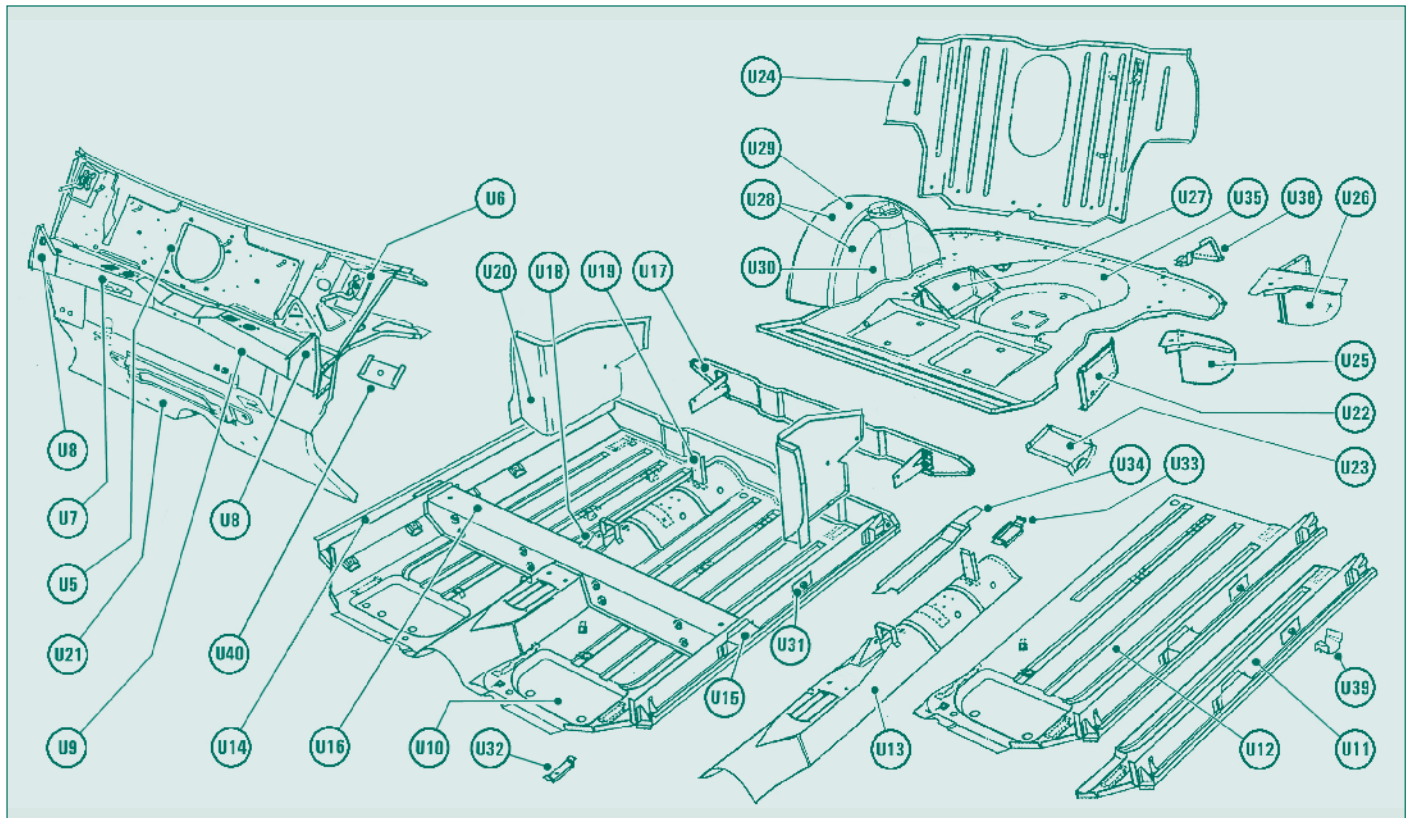
Contact Us

British Motor Heritage Limited
Range Road,
Cotswold Business Park,
Witney,
OX29 0YB,
United Kingdom

Tel: +44 (0) 1993 707200
Fax: +44 (0) 1993 707222
Email: sales@bmh-ltd.com

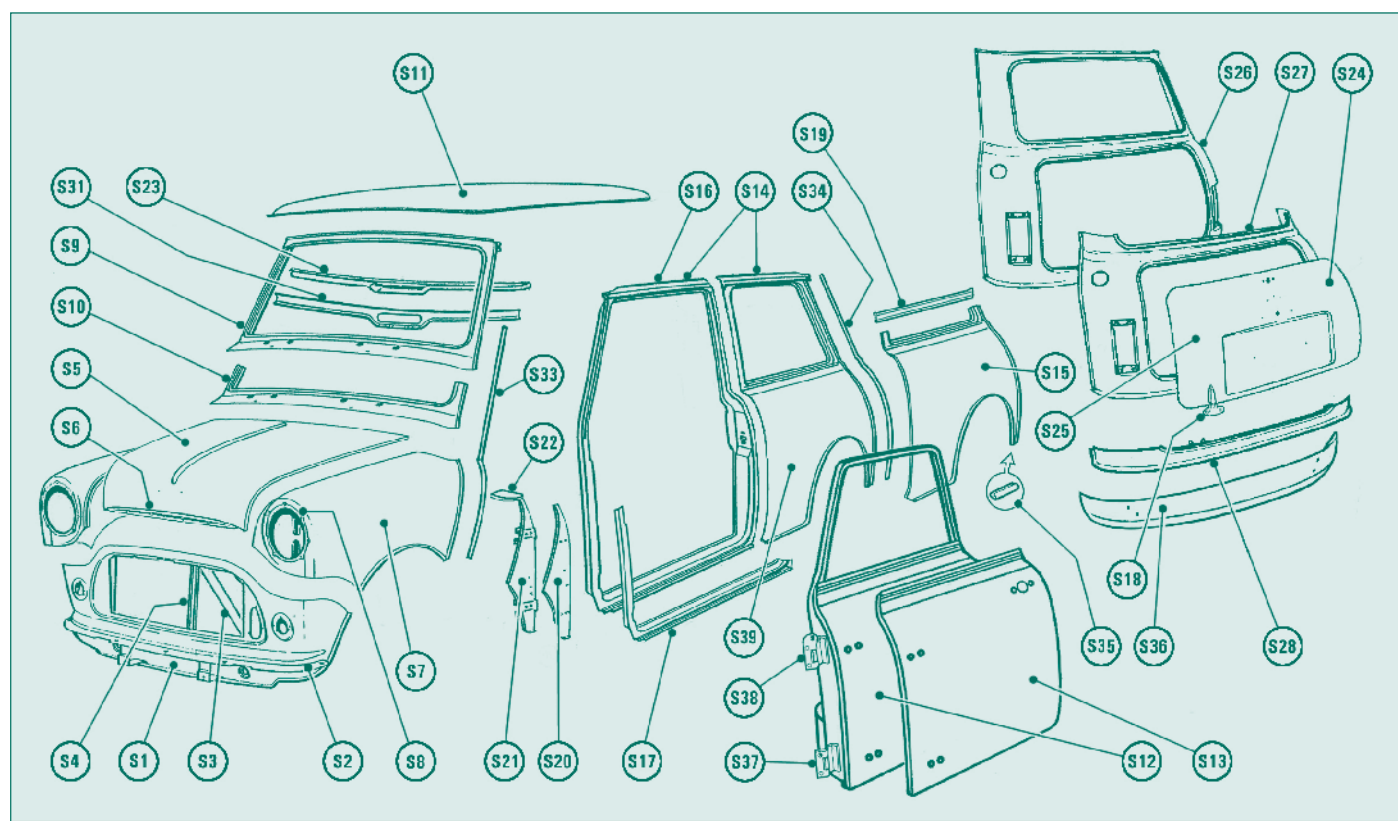
Mini underframe

Heritage Original Equipment is available from your
Heritage Mini Approved Specialist



Key	Part No	Description	Model	SRP-£	Key	Part No	Description	Model	SRP-£	
U5	CZH3216	Bulkhead Comp Assy	1976-1989	342.19	U21	AHA36007	Toeboard Panel	All	60.00	
	AHA36005	Bulkhead Comp Assy	1990-On	234.10		U22	ALA5532	Bracket Bump Stop RH	1967-On	10.04
U6	14A7246	Bonnet Hinge RH	1959-1969	25.46			ALA5533	Bracket Bump Stop LH	1967-On	10.04
	14A7247	Bonnet Hinge LH	1959-1969	25.46	U23	14A6611	Front Filler RH	All Models	10.94	
	HMP441027	Bonnet Hinge Kit	1970-On	27.18			14A6612	Front Filler LH	All Models	10.94
U7	14A6730	Brkt Engine Stabilizer	All	7.55	U24	24A2204	Bulkhead Rear	All	113.26	
U8	AHP36001	RH Brkt XMember to Dash Assy	1970-On	22.64	U25	ALA5524	Filler Plate Rear RH	1967-On	22.12	
	AHP36007	LH Brkt XMember to Dash Assy	1970-On	22.64			ALA5525	Filler Plate Rear LH	1967-On	22.12
U9	AHC36003R	1/2 XMember Assy RH	1970-On	45.30	U26	HMP441020	Clsq Rr Lower Assy RH	1967-On	29.44	
	AHC36003L	1/2 XMember Assy LH	1970-On	45.30			HMP441021	Clsq Rr Lower Assy LH	1967-On	29.44
U10	ADA36002E	Floor Assy Complete	1976-1989	499.99	U27	14A6499	Battery Box Assy	All	42.49	
	ADA36002	Floor Assy Complete	1990-On	499.99	U28	14A9558	Rear Wheelarch RH	All	67.00	
	CZH2669	Main Floor Panel	1976-On	175.00			14A9559	Rear Wheelarch LH	All	67.00
	HMP441004	Half Floor Panel RH	1976-On	79.99	U29	14A6617	W/Arch Rear Outer RH	All	29.51	
HMP441005	Half Floor Panel LH	1976-On	79.99			14A6618	W/Arch Rear Outer LH	All	29.51	
U11	ADA36002RQ	Sill & Floor to 1st Grove RH	1976-On	165.00	U30	HMP441010	Inner W/A & S/Abs Mtg RH	All	40.01	
	ADA36002LQ	Sill & Floor to 1st Grove LH	1976-On	165.00			HMP441011	Inner W/A & S/Abs Mtg LH	All	40.01
U12	ADA36002RH	Sill & 1/2 Floor Assy RH	1990-On	205.00	U31	24A2186	Reinf Seat Belt Mtg	1964-On	5.95	
	ADA36002LH	Sill & 1/2 Floor Assy LH	1990-On	205.00		U32	24A41	Slings Bracket Front	All	5.89
U13	ADA36002EC	Tunnel Assy	1976-1989	86.38	U33	24A42	Slings Bracket Rear RH	All	5.89	
	ADA36002C	Tunnel Assy	1990-On	86.38			24A43	Slings Bracket Rear LH	All	5.89
U14	14A9534	Sill Outer RH	1970-On	29.51	U34	14A8994	Closing Plate RH	All	11.33	
	14A9535	Sill Outer LH	1970-On	29.51			14A8995	Closing Plate LH	All	11.33
U15	14A8374	Extn Crossmember RH	All	12.78	U35	HMP441016	Rear Floor & Battery Box	All	180.00	
	14A8375	Extn Crossmember LH	All	12.78			ALA5513	Seat Pan & Rear Floor Assy	All	150.00
U16	CZH2675	X Member Assy Floor	1970-On	74.66	U38	14A6609	Subframe Mtg B/Floor RH	All	10.94	
	CZH2675R	1/2 Member RHS	1970-On	37.76			14A6610	Subframe Mtg B/Floor LH	All	10.94
	CZH2675L	1/2 Member LHS	1970-On	37.76	U39	14A8336	Jacking Point RH	All	1.69	
U17	HMP441008	Heelboard Complete	All	57.49			14A8337	Jacking Point LH	All	1.69
	HMP441006	Half Heelboard RH	All	27.50	U40	CZG1496	Brkt Support Washer Bottle	All	1.44	
	HMP441007	Half Heelboard LH	All	27.50		ND	14A6867	Bracket Support LH Tank	1959-1976	11.33
U18	CZH3214	Hand Brake Mtg Brkt	All	8.92			21A1330	Bracket Supportt RH Tank	As Fitted	11.33
U19	14A6624	Support Rr Seat to Tunnel	All	7.91			21A471	Mtg Brkt S/Abs Front RH	All	18.86
U20	ADO360020	Companion Box Assy RH	1990-On	29.44			21A474	Mtg Brkt S/Abs Front LH	All	18.86
U20	ADO360030	Companion Box Assy LH	1990-On	29.44			24A1463	Carrier Channel Battery Cable	All	14.35
U21	AHA36006	Toeboard Comp Assy	1990-On	75.00			14A6565	Bracket Reinf Tank Mtg	1959-1976	11.33

ND - Not drawn.

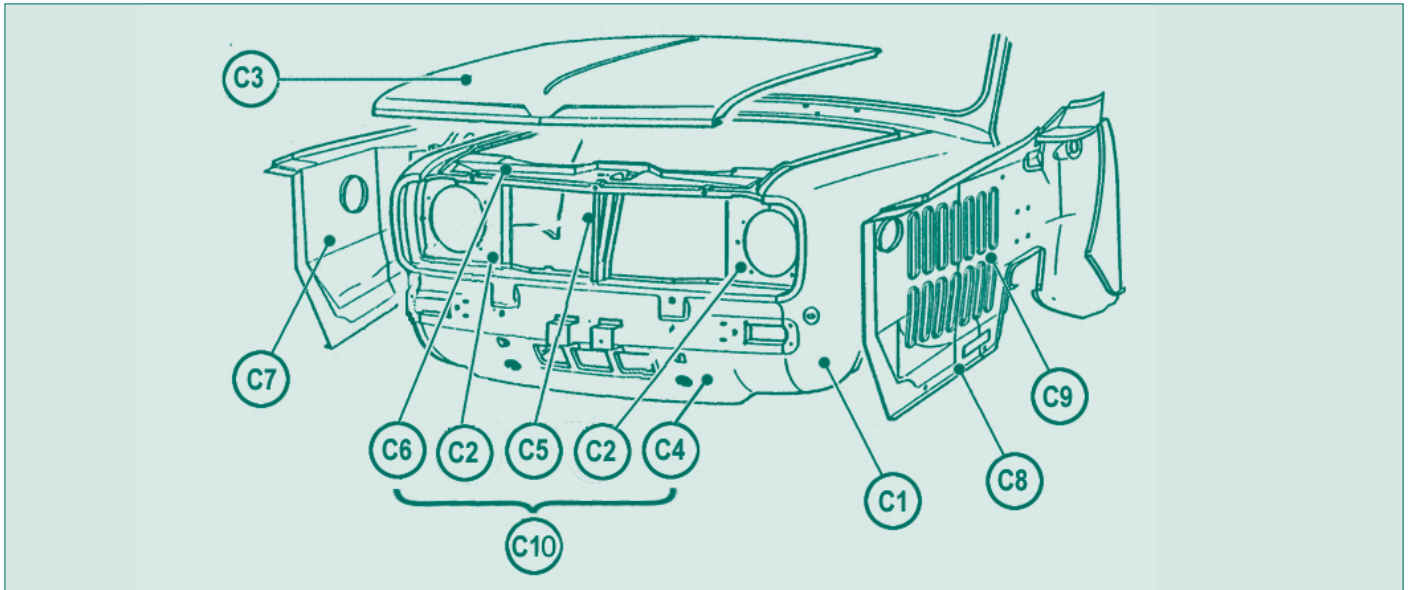


Key	Part No	Description	Model	SRP-£	Key	Part No	Description	Model	SRP-£
S1	14A8308	Front Grille Assy	1964-1975	135.00	S15	HMP441015	Rear Qtr Repair LH	1970-On	87.00
	ALA8619	Front Grille Assy	1976-1989	135.00	S16	CZH122	Door Surround RH	1970-On	85.00
	ASJ36002	Front Grille Assy	1990-1996	135.00		CZH123	Door Surround LH	1970-On	85.00
	ASJ360070	Front Grille Assy	Post 97	135.00	S17	HMP441012	A Post/Door Step Repair RH	1970-On	63.00
S2	BMP103	Bumper Mtg Rail	All	12.84		HMP441013	A Post/Door Step Repair LH	1970-On	63.00
S3	24A1918	Diagonal Strut Grille	Oil Cooler	9.05	S18	HMP441031	Boot Lid Hinge Set	All	52.86
S4	ALA4583	Vertical Strut Grille	to 1996	7.21	S19	CZH426	Waist Rail Assy RH	1970-On	36.53
S5	24A1182	Bonnet Assy	1959-1967	127.00		CZH427	Waist Rail Assy LH	1970-On	36.53
	ALA7455	Bonnet Assy	1967-1969	127.00	S20	14A6901	A Post Outer RH	1959-1969	32.50
	CZH455	Bonnet Assy	1970-1996	127.00		14A6902	A Post Outer LH	1959-1969	32.50
	BKA360070	Bonnet Assy	1997-On	127.00		ALA5660	Monoside Scuttle Panel RH	1970-On	19.99
	BKA360110	Bonnet Assy	1997	127.00		ALA5661	Monoside Scuttle Panel LH	1970-On	19.99
S6	ALA6664	Grille Moulding Support	1967-On	13.60	S21	14A8346	Inner A Post Assy RH	1959-1969	37.50
S7	14A7240	Front Wing RH	up to 1986	79.99		14A8347	Inner A Post Assy LH	1959-1969	37.50
	14A7241	Front Wing LH	up to 1986	79.99	S22	14A8348	Gusset A Post RH	1959-1969	11.00
	14A6476	Front Wing RH	No Side Rep	79.99		14A8349	Gusset A Post LH	1959-1969	11.00
	14A6477	Front Wing LH	No Side Rep	79.99	S23	14A6675	Upper Dash Rail	All	27.50
	BMP454	Front Wing RH	Side Rep	79.99	S24	28G110	Bootlid Assy	1959-1969	250.00
	BMP455	Front Wing With Aerial Hole LH	Side Rep	79.99		BMP339	Boot Lid Assy	1970-1989	135.00
	ASB360010	Front Wing LH	Side Rep	79.99		BMD36001	Boot Lid Assy	1990-On	170.00
S8	14A6693	Headlamp Mtg Repair	1959-1986	9.05	S25	BMP102	Boot Lid Skin Panel	1970-On	50.36
S9	CZH3140	Windscreen Comp Assy	1970-On	159.79	S26	HMP441046	Back Panel Mk One	1959-1969	270.00
S10	HMP441001	Screen Surround Repair	All	105.00		HMP441022	Back Panel Assy	1969-1989	240.00
S11	14A5503	Roof Panel	No Aerial	295.00		ALA6417	Back Panel Assy	1990-On	240.00
	AKA360010	Roof Panel	Aerial hole	295.00	S27	HMP441019	Back Panel Lower Half Repair	1967-On	170.00
S12	14A8306	Door RH	1959-1969	475.00	S28	HMP441009	Back Panel Lower Repair	1967-On	120.00
	BMP326	Door Assy RH (less hinges)	1970-1989	375.00	S31	BMP201	Moulding Parcel Shelf	1970-On	37.76
	BDA360100	Door Complete RH	1990-On	375.00	S33	14A9999	Cover Strip Seam Front	All	13.06
	14A8307	Door LH	1959-1969	475.00	S34	14A6783	Cover Strip Seam RH Rear	All	14.51
	BMP327	Door Assy LH (less hinges)	1970-1989	375.00		14A6784	Cover Strip Seam LH Rear	All	14.51
	BDA360110	Door Complete LH	1990-On	375.00	S35	14A6782	Seam Moulding Rear Lower	All	2.27
S13	14A5498	Door Skin RH	1959-1969	62.51	S36	14A5497	Rear Valance	All	40.01
	CZH3300	Door Skin RH	1970-On	62.51		14A6940	Rear Valance (no holes)	1959-1969	40.01
	14A5499	Door Skin LH	1959-1969	62.51		CZH3353	Rear Valance + Fog Light Ftgs	1980-On	40.01
	CZH3301	Door Skin LH	1970-On	62.51	ND	FPC100130	Safety Catch with Spring	1959-1996	10.49
S14	CZH430	Bodyside Complete RH	1970-On	270.00		24A857	Prop Rod	1967-1969	5.95
	CZH431	Bodyside Complete LH	1970-On	270.00		HMP441029	Wheelarch Reinforcement Kit	Sportspack	55.64
S15	HMP441014	Rear Qtr Repair RH	1970-On	87.00		HMP441030	Door Hinge Kit (4 Hinges)	1970-On	114.89

ND - Not drawn.

Mini Clubman front end

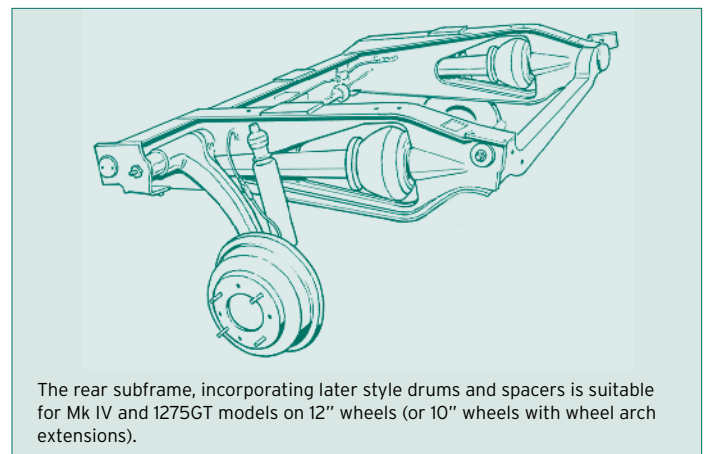
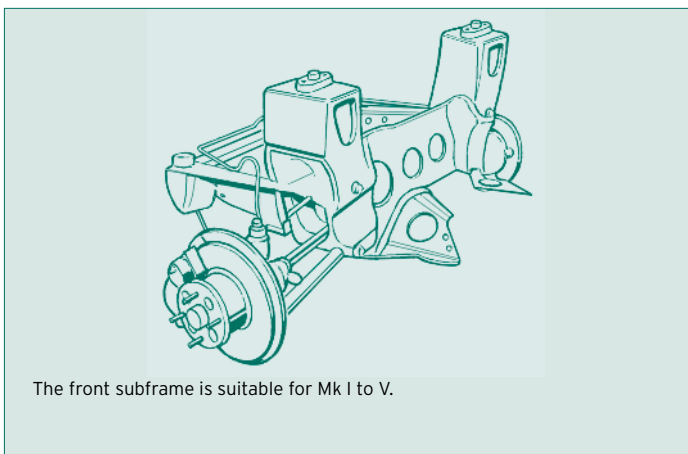
Heritage Original Equipment is available from your Heritage Mini Approved Specialist



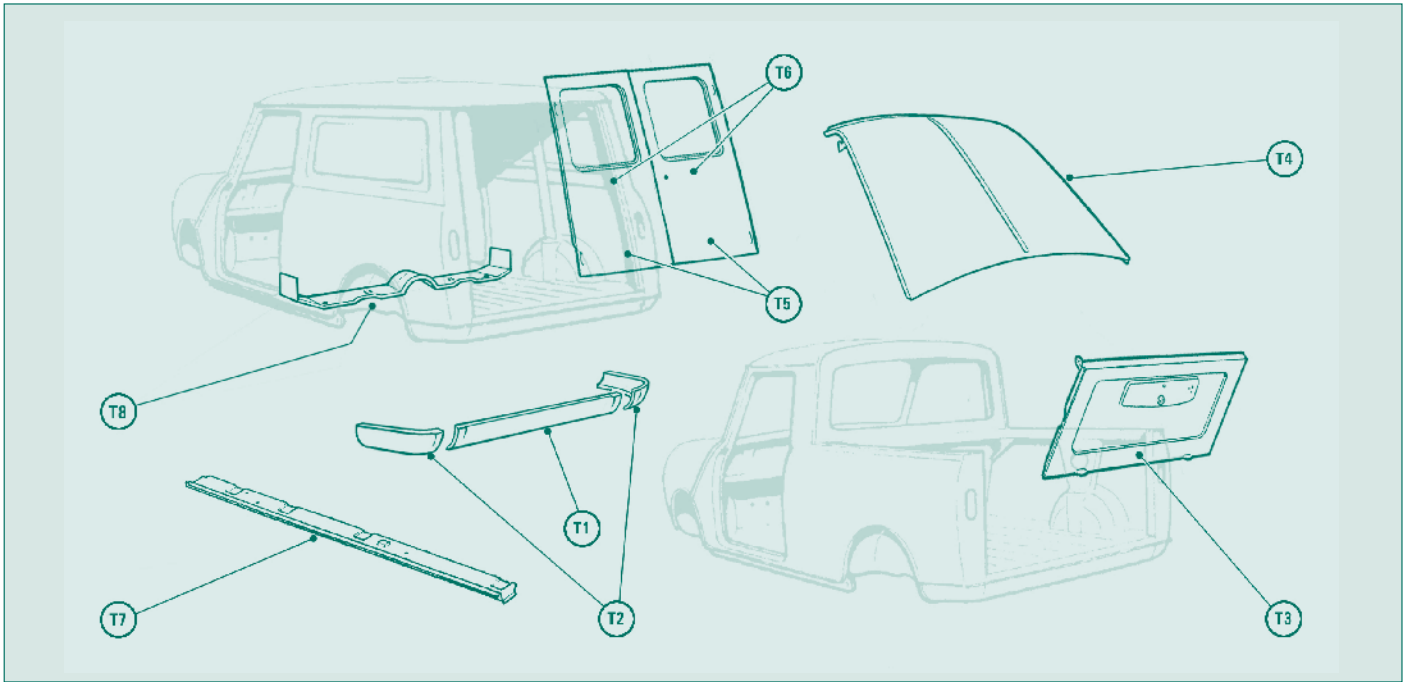
Key	Part No	Description	Model	SRP-£	Key	Part No	Description	Model	SRP-£
C1	CZH408	Front Wing RH	All	91.22	C6	CZH149	Platform	All	34.78
	CZH409	Front Wing LH	All	91.22		C7	CZH414	Valance Assy RH	All
C2	CZH120	Panel Headlamp RH	All	12.17	C8	CZH410	Valance Assy With Scuttle RH	All	180.83
	CZH121	Panel Headlamp LH	All	12.17		C8	CZH569	Valance Assy LH	All
C3	CZH2609	Bonnet Assy	All	137.70		CZH567	Valance Assy With Scuttle LH	All	194.75
C4	CZH563	Front Lower Assy (Solid)	1970-1976	89.86	C9	CZH570	Radiator Cowling Assy	All	34.78
	AAM1022	Front Lower Assy	1976-1983	89.86	C10	HMP441039	Grille Comp Assy	1970-1976	187.79
C5	CZH155	Bonnet Lock Support	All	24.35			HMP441040	Grille Comp Assy	1976-1983

Front and rear subframes

These dry suspension subframes are supplied ready to fit to Mk IV bodyshells and come complete with all suspension components, brakes, hubs and steering arm. Drive shafts are included with front subframes. Exhaust mounting rubbers, shock absorbers and handbrake cables with the rear subframe.



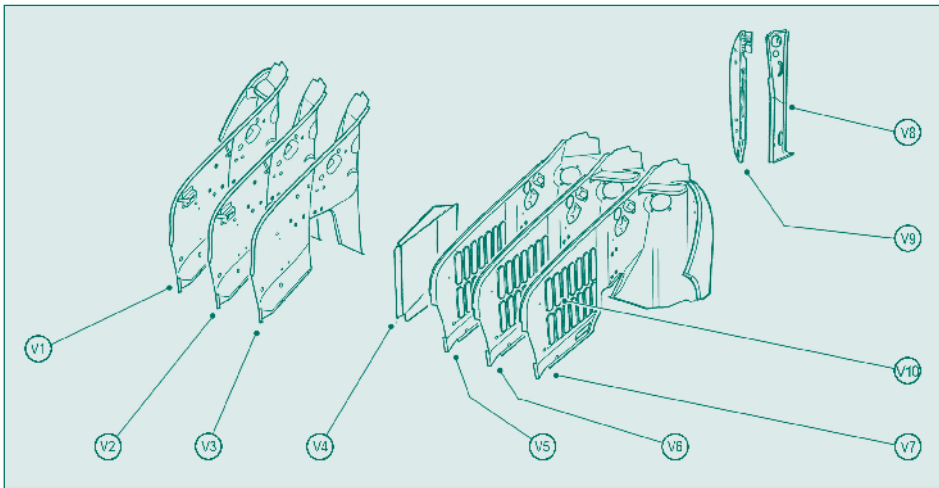
Key	Part No	Description	Model	SRP-£	Key	Part No	Description	Model	SRP-£
FS1	21A2570	Subframe Assy Front	1959-1969	366.94	RS1	KHB10023	Subframe Assy Rear	Pre 1997	325.00
	KGB10024	Subframe Assy Front Auto	Auto	350.00		KHB10024	Subframe Assy, Rr (Auto)	Pre 1997	325.00
	KGB10022	Subframe Assy, Front	Pre 91	350.00		KHB100590	Subframe Assy, Rr, Sport	Post 1997	325.00
	KGB10027	Subframe Assy Fnt MKIV	1991-1996	350.00		KHB10026	KHB10024 + Trunnions	Pre 1997	425.00
	KGB100500	Subframe Assy, Front,	Post 1996	350.00		FAM6292	Rear Subframe	Pre Inj Dry	325.00
	HMP241004	KGB10027 + Bump Stops	1991-1996	360.00		FAM6292A	Rs Subframe Assy, Dry, Hi-Lo	Dry Hi-Lo	325.00
	HMP241005	KGB100500 + Bump Stops	Post 1996	360.00		21A2160	Rear Subframe	All Wet	325.00
FS2	HMP241003	Fully Assembled Subframe	Post 1997	1,480.21	RS2	HMP241002	Fully Assembled Subframe	MKIV & 1275	1,150.58
	HMP241001	Fully Assembled Subframe	MKIV	1,480.21					



Key	Part No	Description	Model	SRP-£
T1	14A8154	Rear Apron Centre	All	30.20
T2	14A6908	Apron Corner Rear RH	All	17.35
	14A6909	Apron Corner Rear LH	All	17.35
T3	CZH3293	Tailgate	All PU	190.00
T4	ALA8430	Bonnet Assy	1972-1983	127.00
T5	14A8096	Rear Door Assy RH	Trav-All Van-All	199.00

Key	Part No	Description	Model	SRP-£
T5	14A8097	Rear Door Assy LH	Trav-All Van-All	199.00
T7	14A9026	Sill Outer RH (LWB)	All	26.41
	14A9027	Sill Outer LH (LWB)	All	26.41
T8	14A9023	Floor Extension Commercial	All	53.39

Mini valances



ORIGINAL MANUFACTURER

This label identifies genuine original British Motor Heritage parts and assemblies; look for it to ensure you are using the highest quality original components.

All British Motor Heritage products are manufactured using the original tooling and to the same exacting standards and engineering integrity as the parts used on the original production line.

Key	Part No	Description	Model	SRP-£
V1	ABD36004	Valance & A Panel Assy RH	1969 on	165.00
V2	ABD36006	Valance Minor Assy RH	1969 on	122.00
V3	ABD36008	Valance Panel RH	1969 on	92.50
	14A7900	Valance Panel RH	1959-1969	92.50
V4	14A6498	Radiator Cowling	1959-1975	47.50
V5	14A7901	Valance Panel LH	1959-1969	92.50
	ALA6271	Valance Panel LH	1969-1989	92.50
	ABD360180	Valance Panel LH	1997 on	92.50
V5	ABD36009	Valance Panel LH	1990-1996	92.50

Key	Part No	Description	Model	SRP-£
V7	ALA6279	Valance & A Panel Assy LH	1969-1989	165.00
	ABD36005	Valance & A Panel Assy LH	1990-1996	165.00
	ABD360200	Valance & A Panel Assy LH	1997 On	165.00
V8	ALA5686	Boxing Plate RH	1970-On	12.00
	ALA5687	Boxing Plate LH	1970-On	12.00
V9	ALA6472	Stiff Assy A Post RH	1970-On	19.99
	ALA6473	Stiff Assy A Post LH	1970-On	19.99
V10	HMP441023	Panel Cooling Slats	1959-1989	37.00

Other Mini products

Heritage Original Equipment is available from your
Heritage Mini Approved Specialist



Part No	Description	Model	SRP-£	Part No	Description	Model	SRP-£
11D5264K	Brake Banjo Bolt/Washer Kit		5.48	AAM1223	Bonnet Catch Plate		3.25
11G176	Blanking Sleeve Thermostat		9.18	AAU4969	Clutch Master Cylinder		80.86
12G103	Thermostat Housing		22.28	ADA3730	Badge Mini-Minor		16.10
12G2129	Fan 11 Blade (Yellow)		14.51	ADA5671	Door Check Arm Assy		12.76
13H2296	Oil Filler Cap		10.50	ADU8873	Cylinder Slave		39.86
13H3735	Switch Brake Light		4.24	ALA5527	Multiclip Main Floor		1.97
13H5191	Value Breather		54.72	ALA5536	Clip		0.97
14A6494/A	Ashtray Brkt RH Mkl		14.05	ALA6381	Washer Plate		1.75
14A6495/A	Ashtray Brkt LH Mkl		14.05	ALA6694	Badge 850		6.94
14A6511	Spare Wheel Clamp	1959-1969	15.40	ALA6696	Badge 1275		6.94
14A6564	Parcel Shelf		73.09	ARP1043	Fuel Tank		175.00
14A7550	Rear Quarter Bumper - Chrome		47.39	BMP0401	Gasket Boot Lid Hinge		0.68
14A7776	Battery Strap		6.70	BMP0402	Gasket Boot Lid Hinge		0.68
14A9796	Clip Spring		1.24	BTA1208	Disc Shield Brkt RH		3.02
21A1440	Support Pin, Front Mtg		15.25	BTA1209	Disc Shield Brkt LH		3.02
21A1669	Rr Handbrake Cable Pt RH		11.02	BTA896	Arm Steering - RH		35.03
21A1670	Rr Handbrake Cable PT LH		11.02	BTA897	Arm Steering - LH		35.03
21A1879	Lower Wishbone Arm RH		28.69	CZH1747	Gasket Boot Handle		0.44
21A1881	Lower Wishbone Arm LH		28.69	CZH2617	Mounting S/Belt Rr B/Head Cent		14.51
21A2454	Handbrake Quadrant Assy		14.04	CZH2618	Safety H/ness Reinf Plate Assy		14.51
21A2558	Trunnion, Rr Subframe, (Rect)		29.51	CZH586	Rr Safety Harness Assy RH		12.17
21A2560	Bush Large For 21A2558		4.51	CZH587	Rr Safety Harness Assy LH		12.17
21A2613	Brake Disc Shield Upper RH		23.12	CZH600Z	Mini Clubman/1275GT Fnt Bumper		155.23
21A2614	Brake Disc Shield Lower RH		23.12	DAM5992	Bracket Clutch		16.94
21A2617	Brake Disc Shield Upper LH		23.12	EAM9248	Rear Quarter Bumper - Black		33.40
21A2618	Brake Disc Shield Lower LH		23.12	FAM2390	Front Swivel Hub RH		79.98
21A2690	Arm-Support Upper Assy RH		165.56	FAM2391	Front Swivel Hub LH		79.98
21A2691	Arm-Support Upper Assy LH		165.56	FAM2764K	Front Bump Stop Kit		9.04
21A2694	Distance Tube		3.61	FAM621	Handbrake Cable Sector Brkt		14.04
21A530	Strut, Short		30.49	FPQ10001	Spring Thimble Pin		4.72
22A696	Tab Washer		2.56	FPS100340	Latch Assy Bonnet		23.94
24A2702	Cover Nacelle		25.40	GEX7526	Bracket Exhaust Mounting		7.04
2A4362	Lower Support Shaft		14.87	GMC1710E	Brake Master Cylinder		77.75
2A5818	Bush Small For 2A2519		1.00	GMC1720E	Brake Master Cylinder - Cooper		90.19
2A5819	Trunnion Small Rr Mtg		29.51	HMP141001	Mouse Mat Mini		6.06
2A7327	Sealing Ring		0.94	HMP141045	Mouse Mat Mini Clubman		6.06
2A997	Two Blade Metal Fan (ST)		25.46	HMP841014	Subframe Fitting Kit less Trun		38.84
2A998	Six Blade Metal Cooling Fan		31.92	LQM100380	Dipstick Mini		13.52
4G3676	Thimble		3.82	NAM7162	Radius Arm RH RR		208.66
513123A	Filler Cap Master Cylinder		4.14	NAM7163	Radius Arm LH RR		208.66
88G479	Spare Wheel Boss	1959-1969	6.52	RBK10007	Knuckle Sport Pack		9.40
8G4249	Tie Rod		15.66	RLH101070	Rear Hub Bare		101.38
8G726	Waterproof Cover Distributor		13.43	WFE106090	Fuel Tank Injection		195.00

British Motor Heritage

Approved Mini Specialists

British Motor Heritage Approved Mini Specialists are the acknowledged experts and leading suppliers of Classic Mini Parts. To qualify they are required to satisfy a number of important criteria clearly demonstrated over a period of at least three years trading. The criteria include their product knowledge, their range of stock, their customer service and a sound commercial history.

The Approved Mini Specialists share our passion for the Classic Mini and are committed to keeping the cars on the road by supplying quality parts and service. They are unrivalled as the best source of quality Mini Classic parts.

UK Specialists	Tel	WebSite
Leacy MG (Midlands)	0121 356 3003	www.leacymg.co.uk
Mini Spares Centre (London)	01707 607700	www.minispares.com
Mini Spares Centre (Midlands)	0121 544 0011	www.davidmanners.co.uk
Mini Spares Centre (North)	01423 881800	www.minispares.com
Mini Speed Ltd (Surrey)	01932 400567	www.minispeed.co.uk
Moss Europe Ltd (London)	0208 867 2000	www.moss-europe.co.uk
Moss Bradford	01274 735537	www.moss-europe.co.uk
Moss Bristol	01179 232523	www.moss-europe.co.uk
Moss Manchester	0161 480 6402	www.moss-europe.co.uk
Newton Commercial Original trim	01728 832880	www.newtoncomm.co.uk
P & L Minis (Yorkshire)	01709 889922	www.plmini.com
Play Mini (Surrey)	01293 851944	www.playmini.co.uk
Somerford Mini Ltd (Wiltshire)	01249 721421	www.somerford-mini.co.uk
South Lakeland Mini Centre	01229 836638	www.southlakesminis.com



Heritage Approved Specialists display this logo.

Overseas Specialists	Tel	WebSite
Allbrit Automotive Parts Germany	0049 5141 4870880	www.allbrit.de
British Car Centre France	0033 160 151313	www.britishcarinternational.com
MG Spare Parts and Services Australia	0061 2960 93988	www.mgspareparts.com.au
Mini Centre Ben van Leeuwen Netherlands	0031 172 573478	www.minicentrebenvanleeuwen.nl
Mini Mania Germany	0049 4402 82044	www.mini-mania.tv
Mini Mania USA	001 530 470 8300	www.minimania.com
Sanwa Trading Japan	0081 33 3521 5881	www.sanwa-trd.co.jp

Mini bodyshell

A genuine Heritage bodyshell is invariably the most effective and cost efficient method of achieving a quality rebuild.

All Heritage bodyshells are built using the original press dies and assembly jigs which are continually inspected and refurbished as necessary to maintain optimum performance.

The manufacturing process combines traditional handcrafting skills, authentic production information, drawings and patterns with state of the art technology. Only top grade automotive steel is used for all panels and bodyshells. A full coat of high build primer is applied to each bodyshell minimising the preparation required before the final paint finish is applied.

Bodyshells can also be supplied finished to your choice of final colour.

Heritage bodyshells can be ordered and supplied to private customers directly from our factory and are also available through our network of Heritage Approved Specialists.

For those customers planning to build a track day or serious race car, Heritage Competition bodyshells are the perfect starting point having the key structural seams MIG welded in the sub assembly stage to provide extra strength and torsional stiffness.

Classic Mini

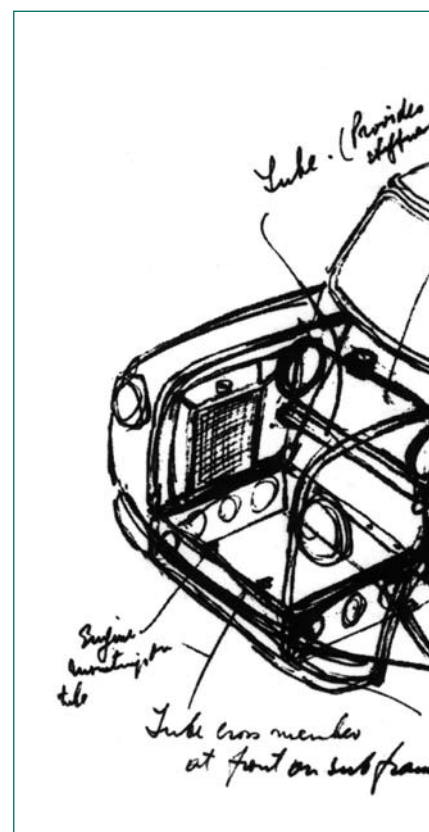
The Mini is the automotive icon that revolutionised the design of the popular car and the advantages of its compact size and transverse engine front wheel drive layout became adopted throughout the industry. With an amazing competition pedigree in addition to its unsurpassed practicality the Mini is still one of Britain's best loved cars.

Heritage bodyshells are available for the original Mk IV and Mk V. A Mk IV bodyshell can be used for a Mk III restoration by converting to rubber mounted subframes.

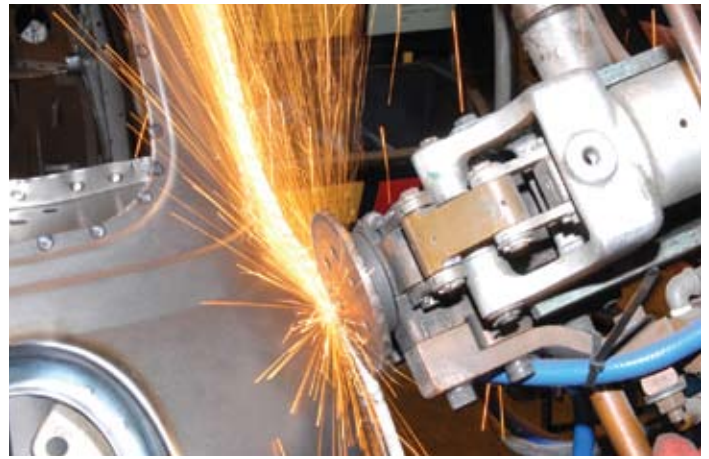
Classic Mini Clubman

The Clubman bodyshell is ideal for those wishing to build high performance 'special' Minis. The larger engine bay has more room for twin - cam engine transplants, bulky induction systems, front mounted radiators and oil coolers. A taut, fatigue free new bodyshell will allow safer enjoyment of any upgraded power, suspension and braking package.

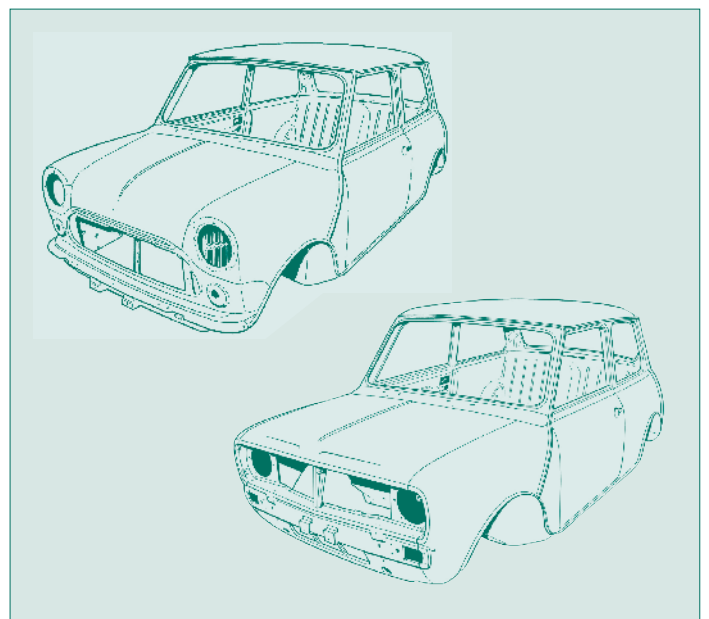
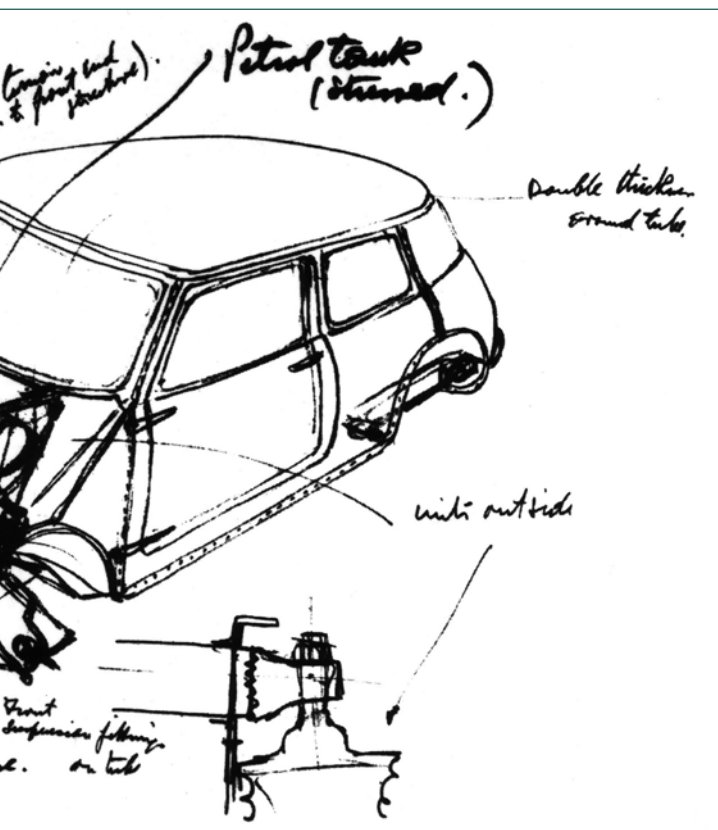
Heritage bodyshells are available for the Mini Clubman rubber mounted subframe vehicles from 1976 to 1983.



Where it all started. Initial sketch for the Mini layout from the design genius of Sir Alec Issigonis.



Mini bodyshells



Part No	Description	SRP-£
AAA36002	B/Shell Mini MkIV TBI	4,650.00
AAA360200	Mk V Mini bodyshell complete	4,650.00
AAA360210	B/Shell Mini MkV S/Pack	4,650.00
BMP0343	B/Shell Mini MkIV	4,650.00
CZH594	Clubman/1275GT body complete	4,800.00



Classic Mini Hose Kits

Heritage are the Samco Specialist Distributor of the SAMCO Classic Range which has been designed to cater for those Classic Car enthusiasts who want to benefit from the advantages of running high performance silicone hose, whilst maintaining the original look to the engine bay. Samco Classic are available in a matt black finish with an imprinted logo. Classic kits can also be ordered in any Samco colour. Please call 01993 707200 for further details.



▼ TCS-19/C



▼ TCS-187/C



▼ TCS-490/C



▼ TCS-18/C



Classic Mini	Hoses	Type	Kit No.	Retail price
Mini Cooper 970/1071/1275	4	Coolant	TCS-19/C	£121.82
Mini Clubman 1275GT	4	Coolant	TCS-18/C	£122.88
Mini 1275 single point injection	5	Coolant	TCS-187/C	£207.59
Mini 850/998 ('59-'92) Not Clubman	4	Coolant	TCS-490/C	£118.85

Classic Mini Clip kit	Type	Retail price
Mini Cooper 970/1071/1275	CK19/C	£16.96
Mini Clubman 1275GT	CK18/C	£16.93
Mini 1275 single point injection	CK187/C	£24.60
Mini 850/998 ('59-'92) Not Clubman	CK490/C	£16.97

Silicone Hoses provide important advantages compared with standard materials.

- Stronger than standard organic.
- Longer Life & extreme durability.
- Will run to higher temps.
- Extremely high burst pressures.
- Improved flow.



All at www.motoringclassics.co.uk



Mini Discs and Pads

EBC is a British company, renowned for its advanced high-performance friction materials and brake discs. A comprehensive range of pads is available covering all-makes and for all purposes, from road use to track days and competition. Best known of the range is the 'Greenstuff' pad, a superb all-rounder using aramid fibre technology to deliver superior braking power yet with low pad and disc wear and less dust. Well proven EBC 'Turbo groove' discs further enhance braking performance.

Make Model	Description	Front Standard	Price	Front Upgrade	Price	Rear Standard	Price
850L 1959 - 1984	Drum	DM019	£22.84			DM019	£22.84
850L 1959 - 1984	Drum	DM019	£22.84			DM019	£22.84
1.0L 1968 - 1985	Drum	DM019	£22.84			DM019	£22.84
1.0L 1980 - 1992	Disc	D182	£56.04	GD182	£122.18	DM019	£22.84
1.3 Turbo 1989 - 1990	Disc	D180	£60.53	GD180	£149.39		
1275GT 1969 - 1977	Disc	D059	£93.00			DM019	£22.84
1275GT 1974 - 1980	Disc	D182	£56.04	GD182	£122.18	DM019	£22.84
1.3L Cooper 1990 - 2000	Disc	D182	£56.04	GD182	£122.18	DM016	£22.84
Cooper S 1967 - 1971	Disc	D059	£93.00				
Mini Moke 1964 - 1985	Disc	D182	£56.04	GD182	£122.18	DM019	£22.84

Pads Front	Blackstuff	Price	Greenstuff	Price	Redstuff	Price	Yellowstuff	Price
1.0L 1974 - 1992	DP127	£15.68	DP2127	£31.20	DP3127C	£37.90	DP4127R	£37.38
1.3L 1990 - 2000	DP127	£15.68	DP2127	£31.20	DP3127C	£37.90	DP4127R	£37.38
1.3 Turbo 1989 - 1990	DP627	£15.10	DP2627	£44.62	DP3627C	£51.48	DP4627R	£53.42
1275GT 10' Wheels 1970 - 1973	DP102	£12.35	DP2102	£37.84	DP3102C	£46.63	DP4102R	£45.30
1275GT 13' Wheels 1974 - 1980	DP127	£15.68	DP2127	£31.20	DP3127C	£37.90	DP4127R	£37.38
Cooper 1963 - 1969	DP128	£11.38	DP2128	£30.49	DP3128C	£37.90	DP4128R	£36.53
Cooper S 1963 - 1971	DP102	£12.35	DP2102	£37.84	DP3102C	£46.63	DP4102R	£45.30
Mini Moke 1980 - 1993	DP127	£15.68	DP2127	£31.20	DP3127C	£37.90	DP4127R	£37.38

Shoes	Front	Price	Rear	Price
850 1959-1964	5146	£15.00	5146	£15.00
850 1964-1980	5145	£19.80	5146	£15.00
1000 1964-1980	5145	£19.80	5146	£15.00
Mini Moke 1980 - 1993	5146	£15.00	5146	£15.00
All Other Mini Models			5146	£15.00



Braided Brakehoses

Goodridge Brakeline hoses provide the ultimate assurance. Proven in the tough world of rallying and racing, they are all tested to 4000 psi, give improved pedal response. A great British product that is chosen by the professionals.

	Zinc Connector	Price
Mini 1967 - 1984	SAH0701-4P	67.15
Mini 1984 On	SAH0704-4P	67.15
Mini - Metro Conversion	SAH0903-4P	67.15
Mini Cooper 1991 On	SAH0706-4P	67.15
Mini Cooper MkII 1968 - 1991	SAH0708-4P	67.15
Mini Turbo 1989 - 1991	SAH0904-6P	100.73



Mini Products

Tex Automotive Limited joined the British Motor Heritage Group in 2008. With its quality manufacturing tradition stretching back to 1948, Tex was the perfect 'fit' with Heritage as it had the same philosophy of using original tooling and processes to provide authentic OE components. The Tex Classic range features high quality replacements and accessories for all makes of vehicle.

Mirrors				Retail Price
M68990	Door Mirror RH	Flat Glass	Polished	£22.56
M68991	Door Mirror LH	Flat Glass	Polished	£22.56
M68890	Door Mirror RH	Convex Glass	Polished	£25.14
M68891	Door Mirror LH	Convex Glass	Polished	£25.14
M68990E	Door Mirror RH	Flat Glass	Black	£19.98
M68991E	Door Mirror LH	Flat Glass	Black	£19.98
M68890E	Door Mirror RH	Convex Glass	Black	£21.27
M68891E	Door Mirror LH	Convex Glass	Black	£21.27
MMR01L	Mini Race Mirror LH	Flat Glass Door Mount	Chrome	£37.39
MMR01R	Mini Race Mirror RH	Flat Glass Door Mount	Chrome	£37.39
MDM01	Mini New Torpedo Mirror	Convex Glass RH	Chrome	£25.79
MDM02	Mini New Torpedo Mirror	Convex Glass LH	Chrome	£25.79
MTR01	Torpedo Race Mirror	Flat Glass	Chrome	£29.65
MTR02	Torpedo Race Mirror	Convex Glass	Chrome	£29.65
M90997	Adaptor Kit LH	Door Mirror		£3.23
M90999	Adaptor Kit RH	Door Mirror		£3.23

Wiper Arms				Retail Price
U70344	5.2mm Bayonet LHD '70> Wedge Lock	RHD >'69 Wedge Lock	Bright Bright	£14.17
U70344E	5.2mm Bayonet LHD >'70> Wedge Lock	RHD >'69 Wedge Lock	Black Black	£16.11
U71344	5.2mm Bayonet LHD >'69 Wedge Lock	RHD '70> Wedge Lock	Bright Bright	£14.17
W70344	5.2mm Bayonet LHD '70> Elite	RHD >'69 Elite	Bright Bright	£6.85
W70344E	5.2mm Bayonet LHD '70> Elite	RHD >'69 Elite	Black Black	£10.96
W71344	5.2mm Bayonet LHD >'69 Elite	RHD '70> Elite	Bright Bright	£9.66
W71344E	5.2mm Bayonet LHD >'69 Elite	RHD '70> Elite	Black Black	£11.59

Wiper Blades				Retail Price
B05110	5.2mm Bayonet	All Models	Bright	£6.98



All at www.motoringclassics.co.uk



MiniLite

The original 'Minilite' wheel, was probably the most successful competition wheel of the 1960's and 70's. As the name suggests, it was originally developed as a magnesium competition wheel for the then revolutionary new Austin 'Mini Cooper', but its instant success meant that it was soon to be seen on many of the serious race and rally cars of that era. A new iconic style was born and to this day all genuine Minilite wheels are made here in the UK to that original classic design.



Moto-lita

Moto-Lita wheels are handcrafted in England and the extensive range covers virtually all British classic and sports cars. When you fit a Moto-Lita steering wheel you're not just fitting a beautiful, ergonomically designed steering wheel - you're fitting a piece of living history; a steering wheel with a live connection to the heyday of British motor-sport. You'll feel it every time you get behind the wheel - that pleasure is priceless!



"Heritage", the  logo and "Tex" are trademarks of British Motor Heritage Limited. All other trademarks used in this price list are covered by appropriate licensing agreements or other agreements with their owners. In line with the Company Policy of continuous improvement, we reserve the right to change specification and amend or discontinue these products without prior notice. Prices shown are correct as at January 2011 and are subject to alteration without prior notice.



British Motor Heritage Limited

Range Road,
Cotswold Business Park, Witney,
OX29 0YB,
United Kingdom

Tel: +44 (0) 1993 707200

Fax: +44 (0) 1993 707222

Email: sales@bmh-ltd.com

www.bmh-ltd.com